

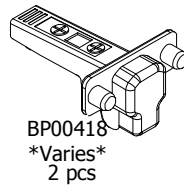
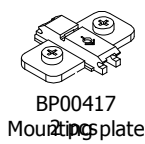
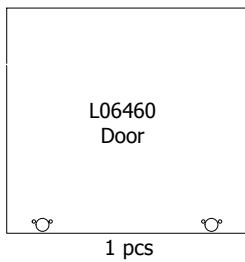
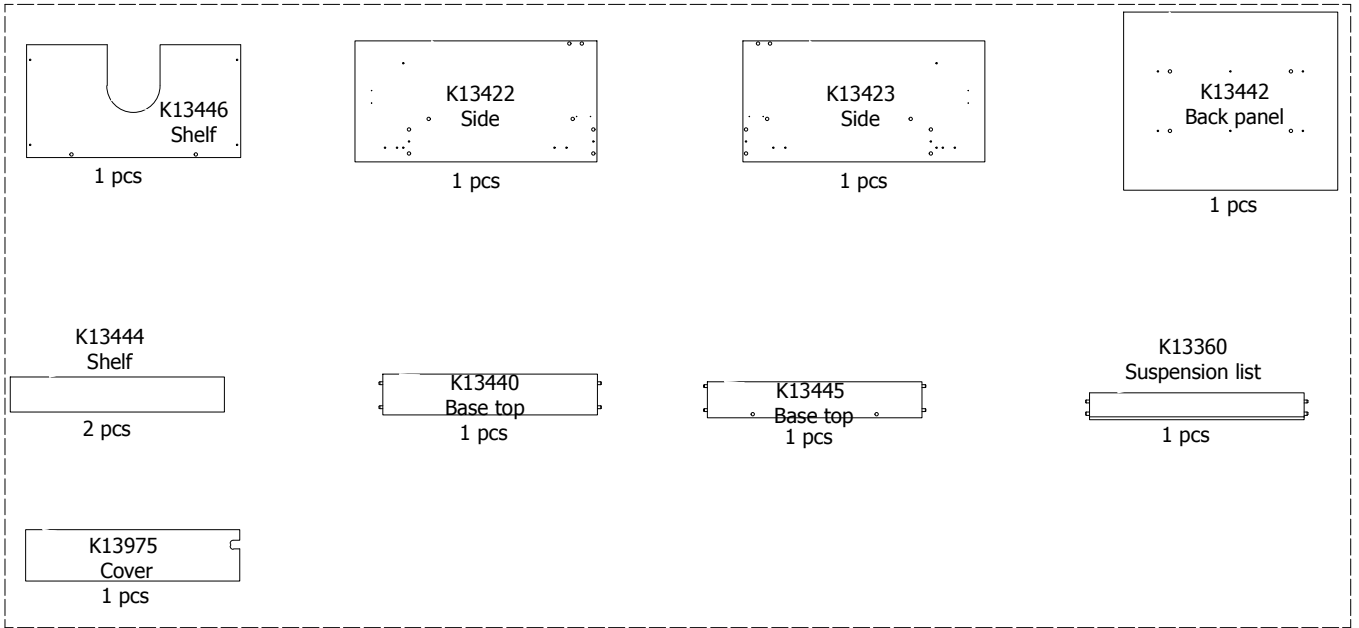
kvik

C664

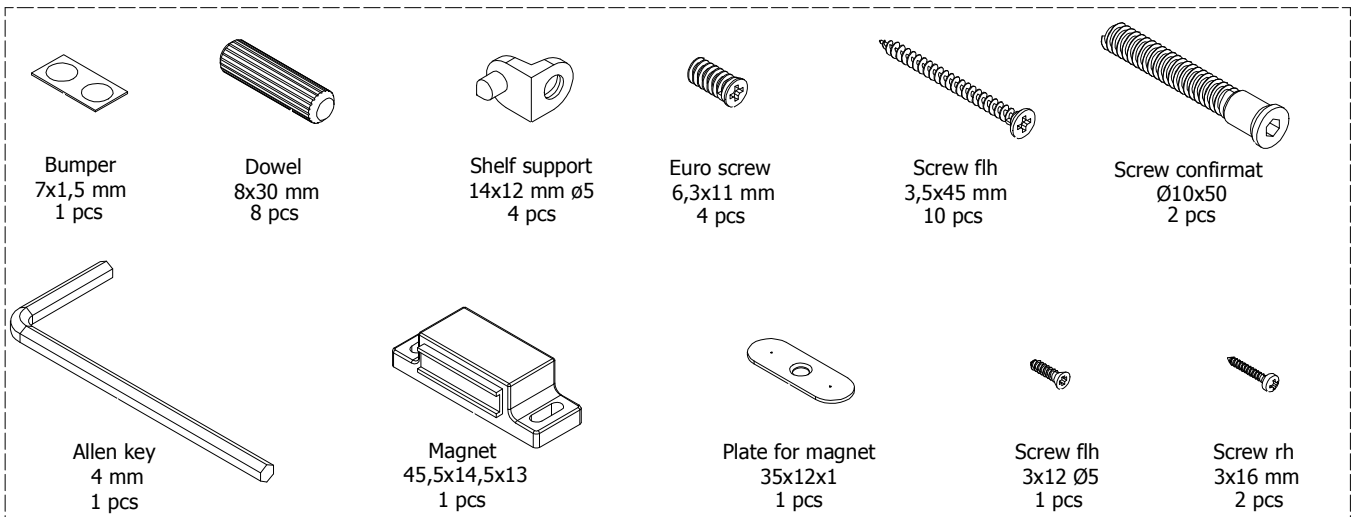
Method 1 (Thermex)

Method 2 (Siemens/Bosch)

DC64,***,***



BP00029



Method 1 (Thermex)

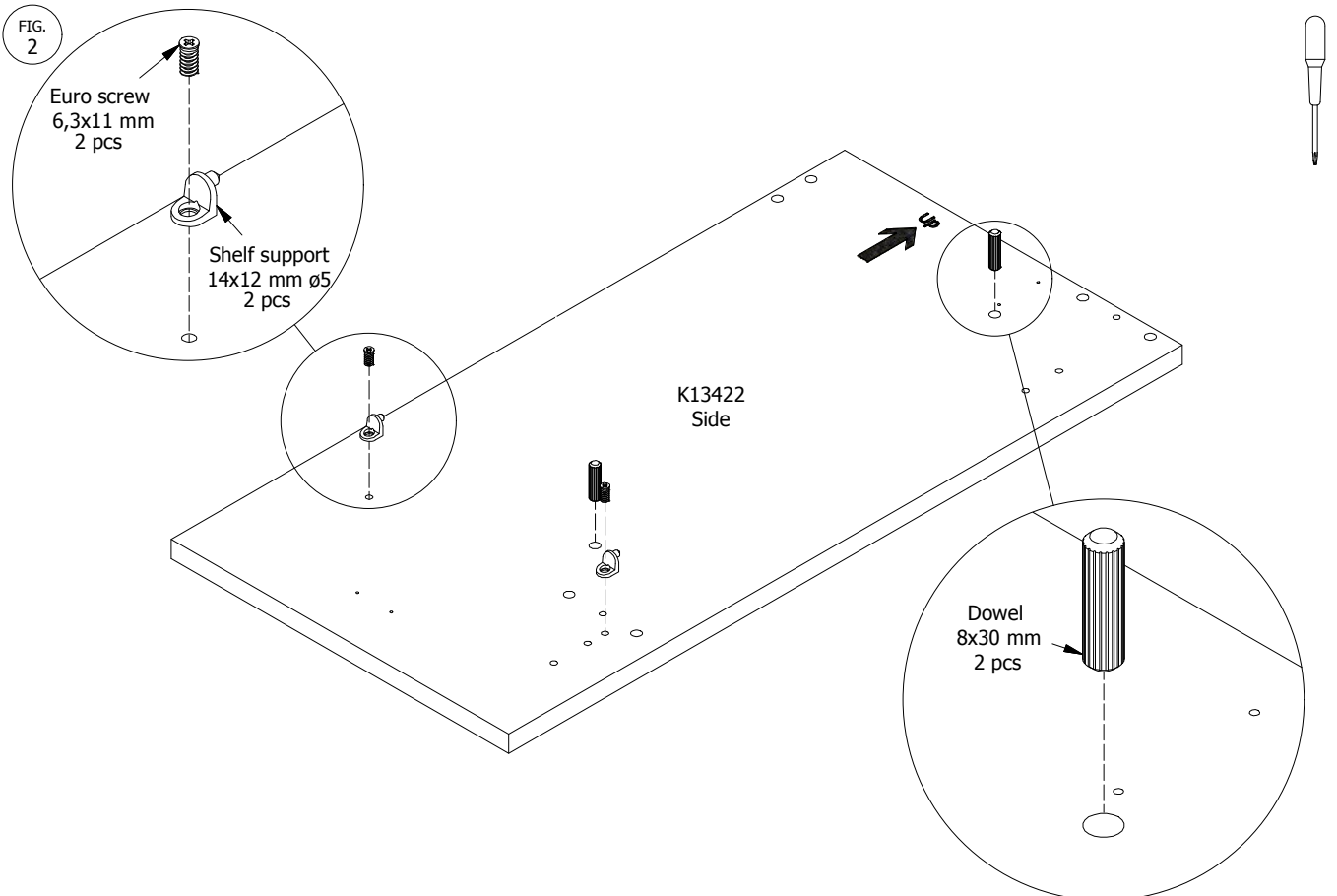
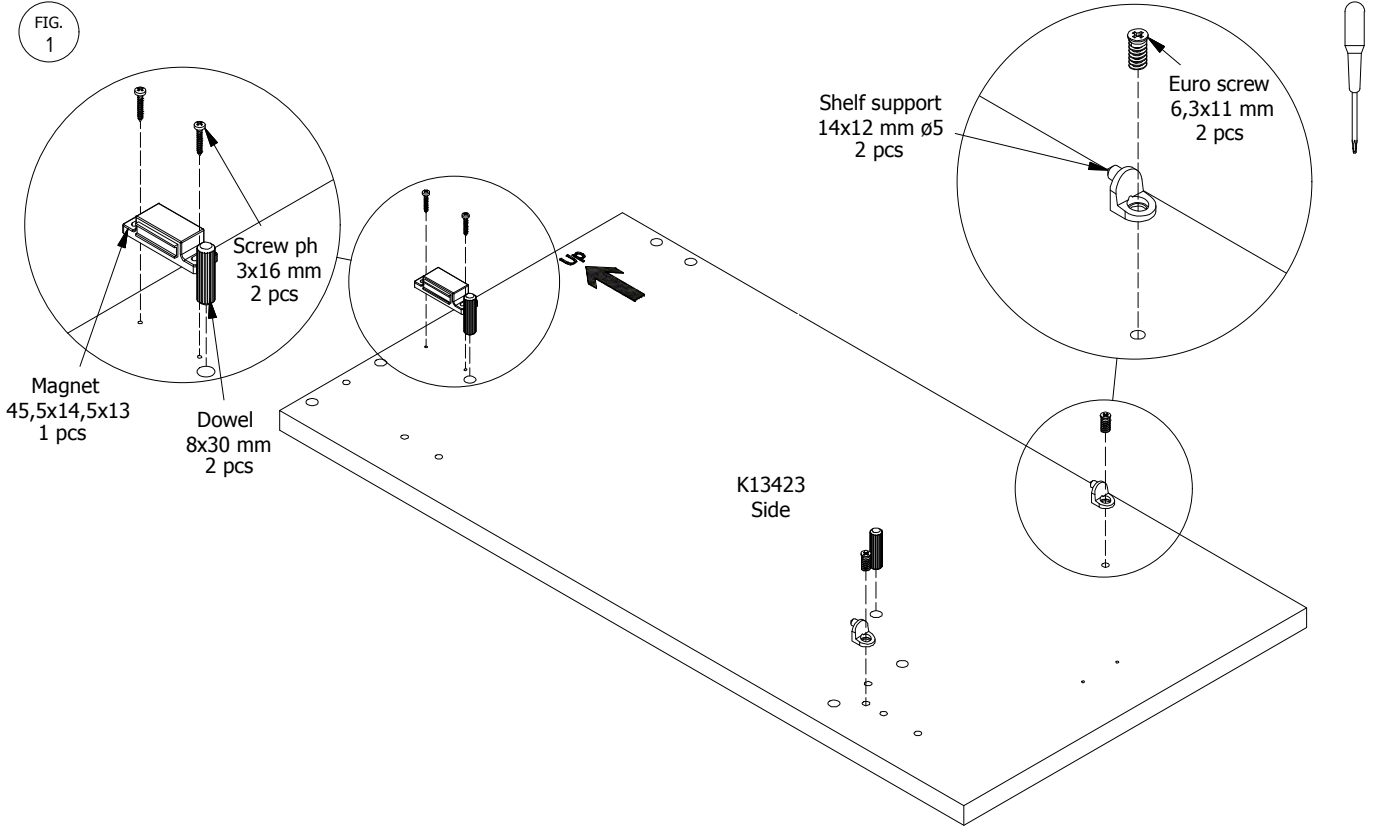


FIG. 3

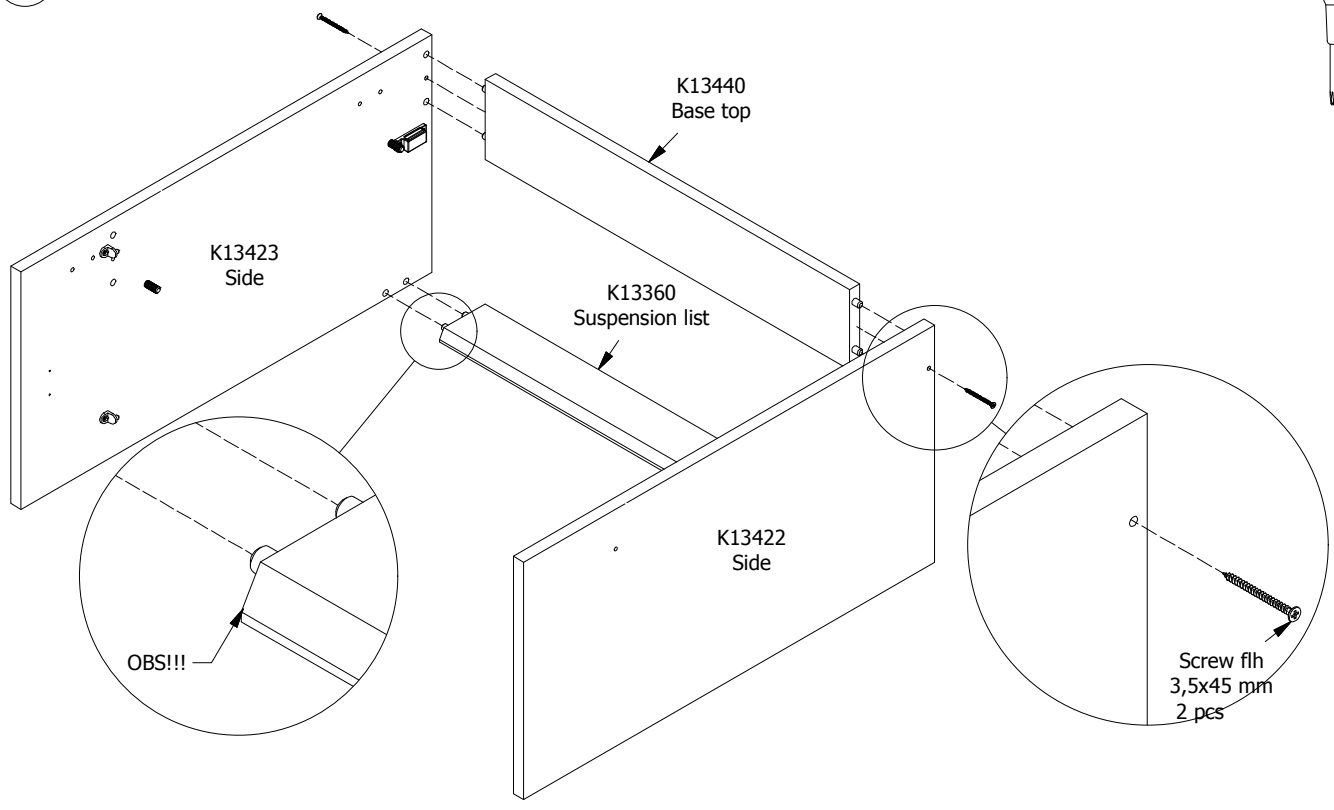


FIG. 4

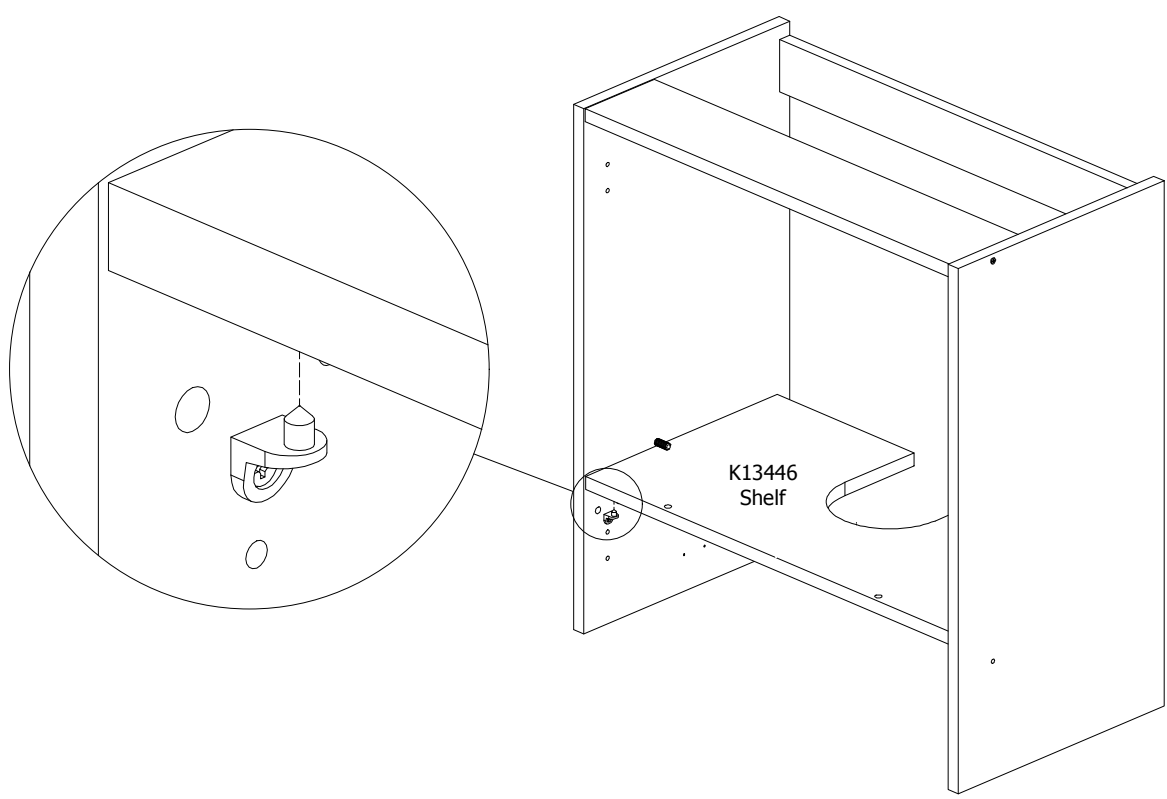


FIG. 5

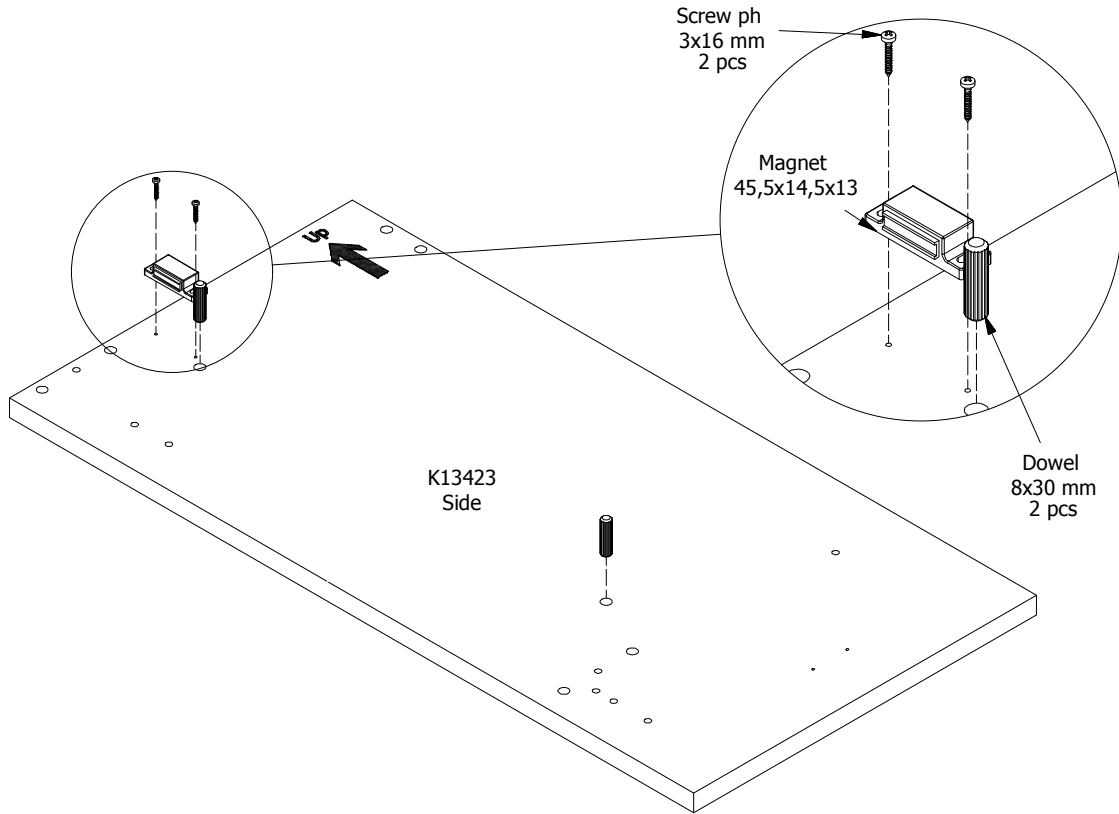


FIG. 6

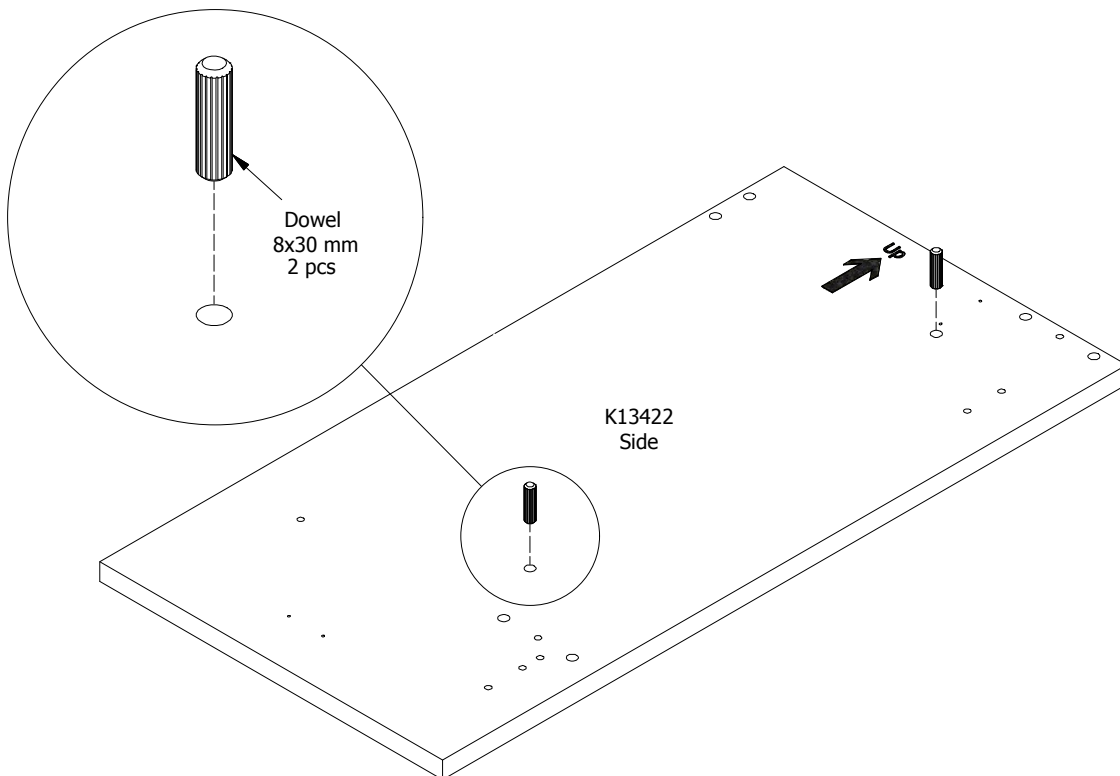


FIG. 7

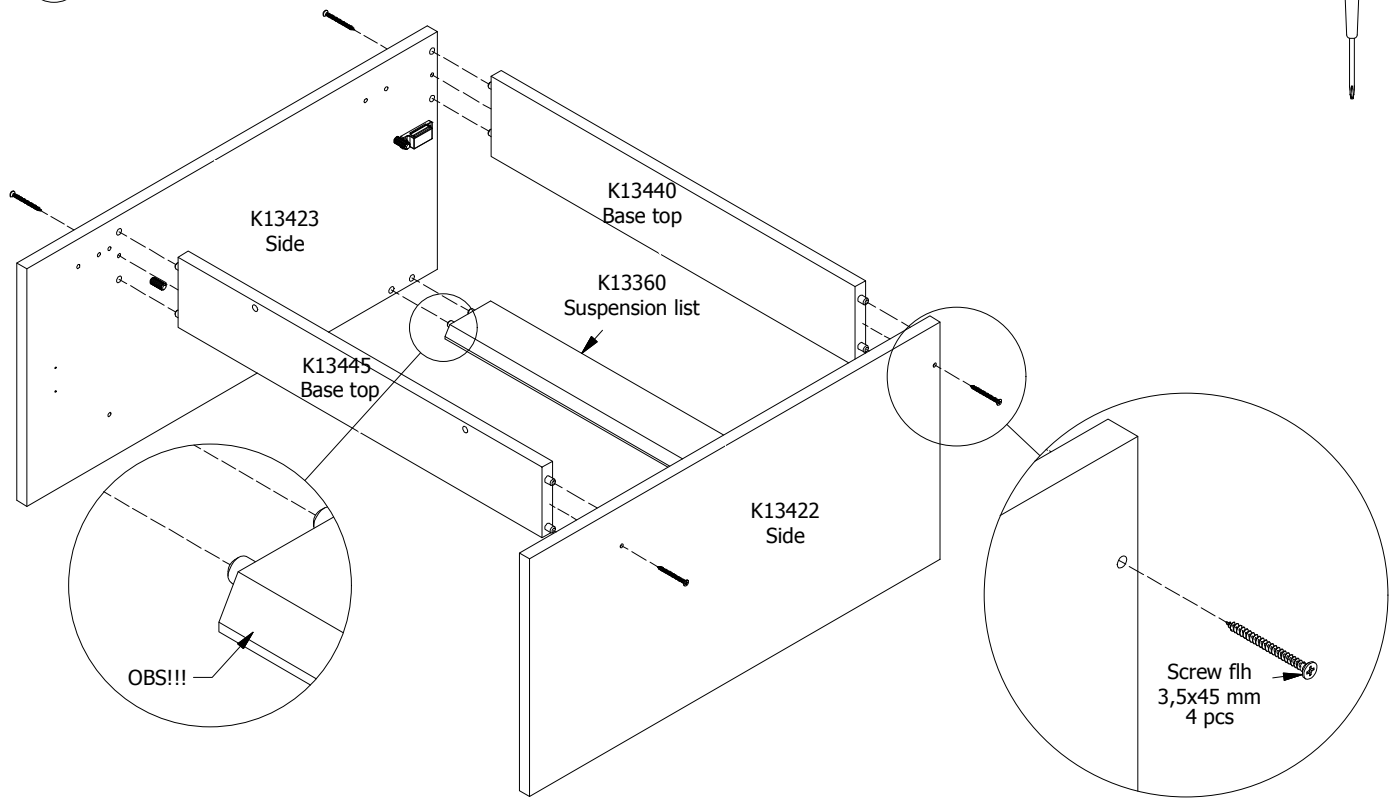


FIG. 8

Method 1 and 2

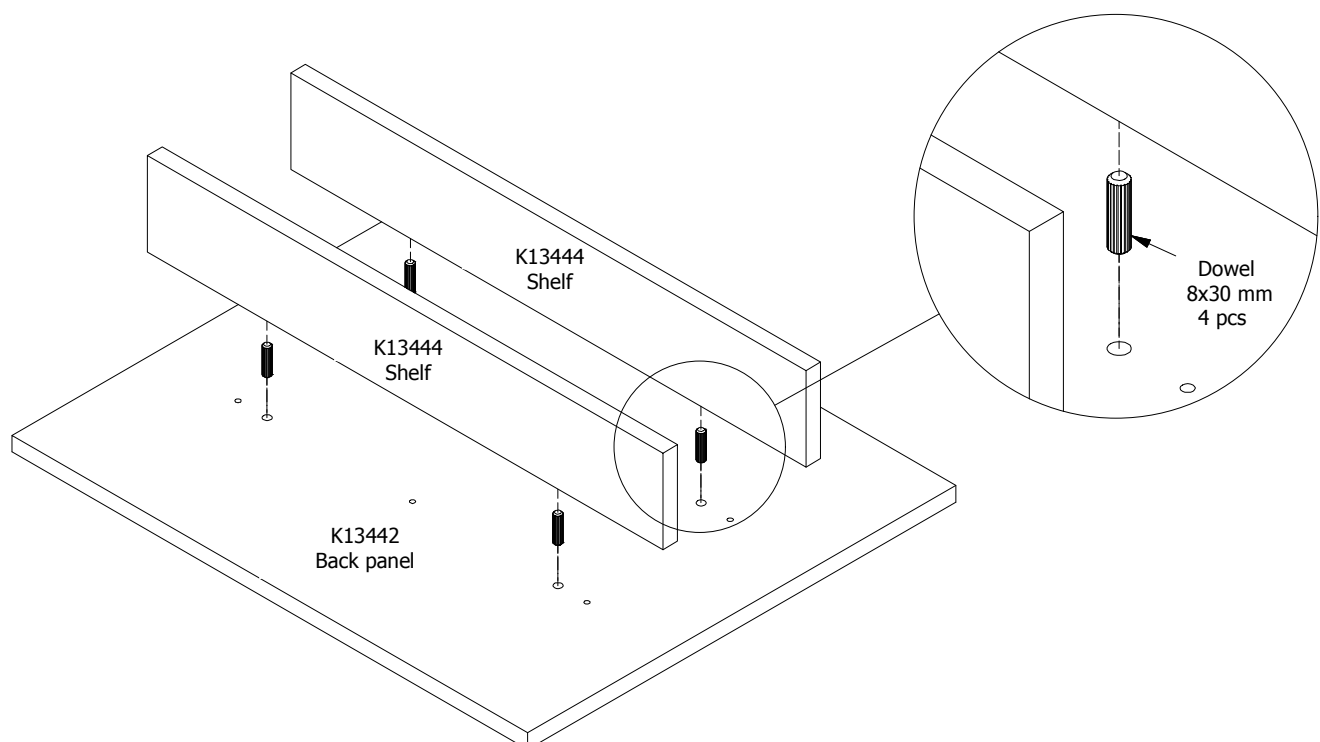


FIG. 9

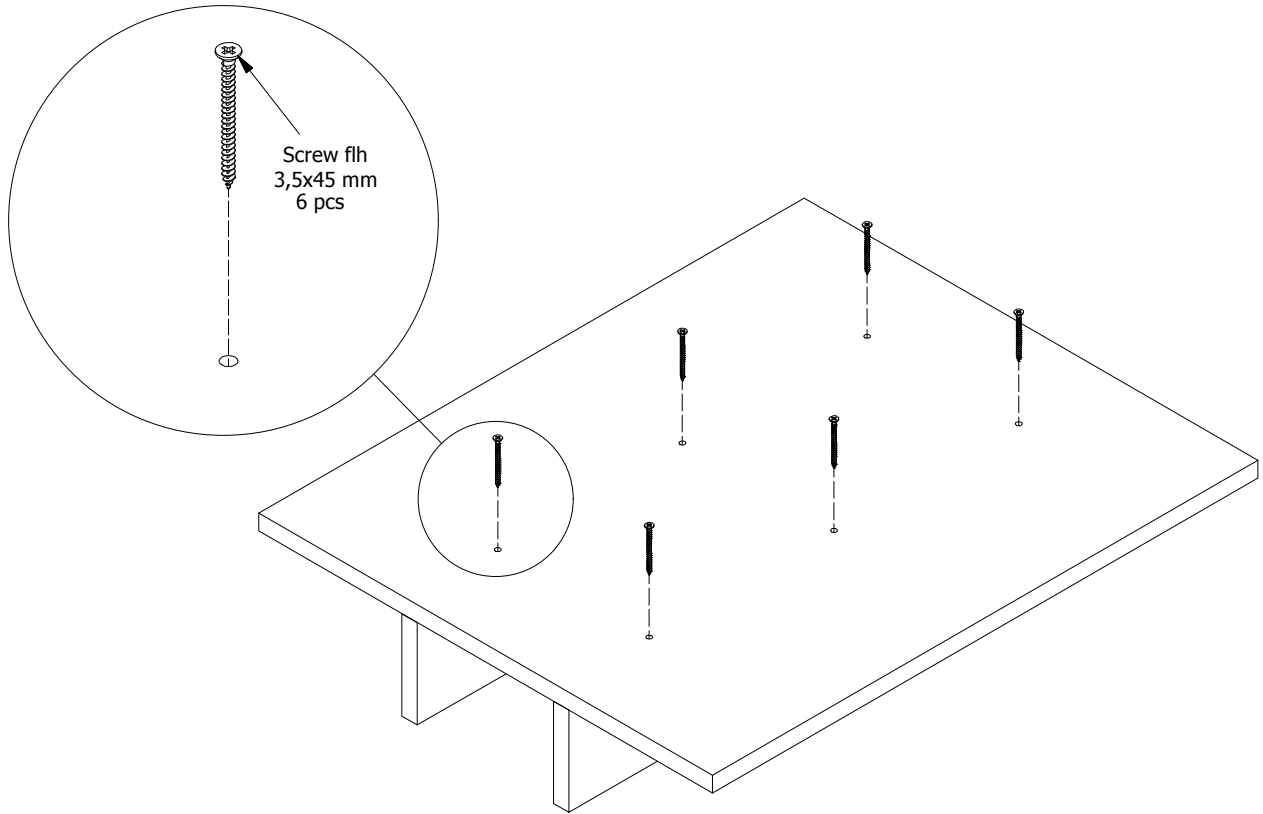


FIG. 10

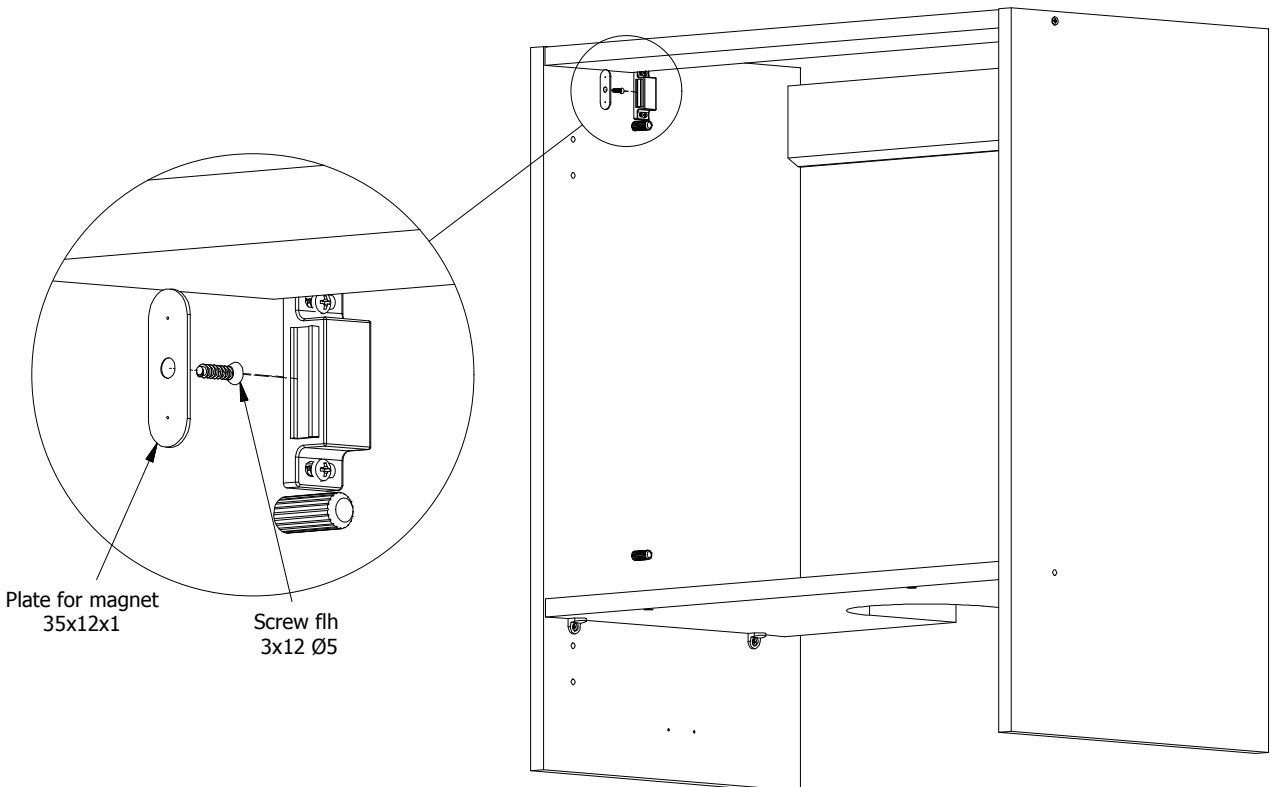


FIG. 11

Push, and the screw will make a mark on the backside, to use to mount the plate for magnet

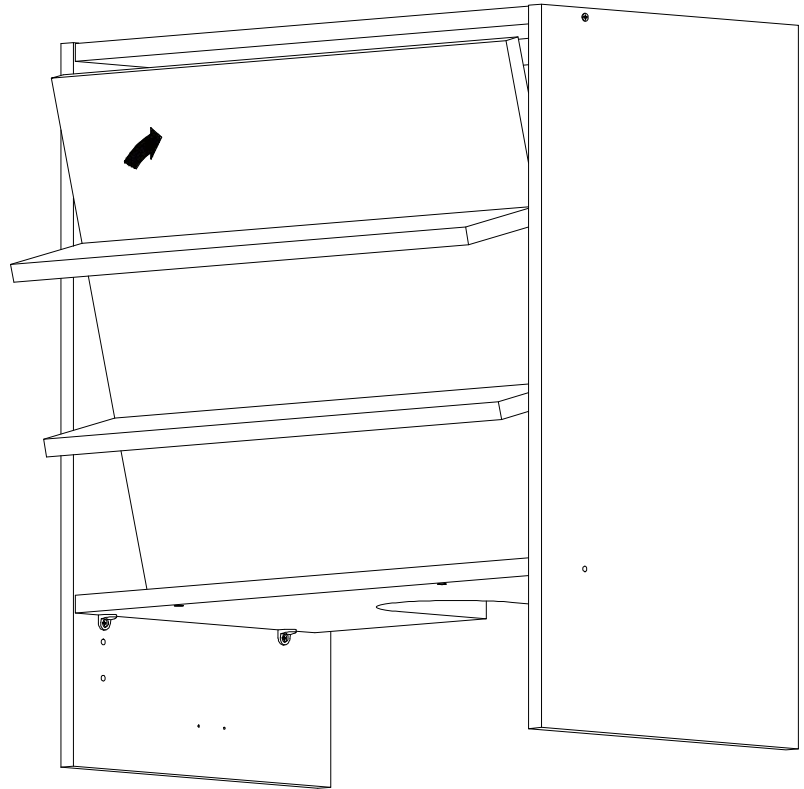


FIG. 12

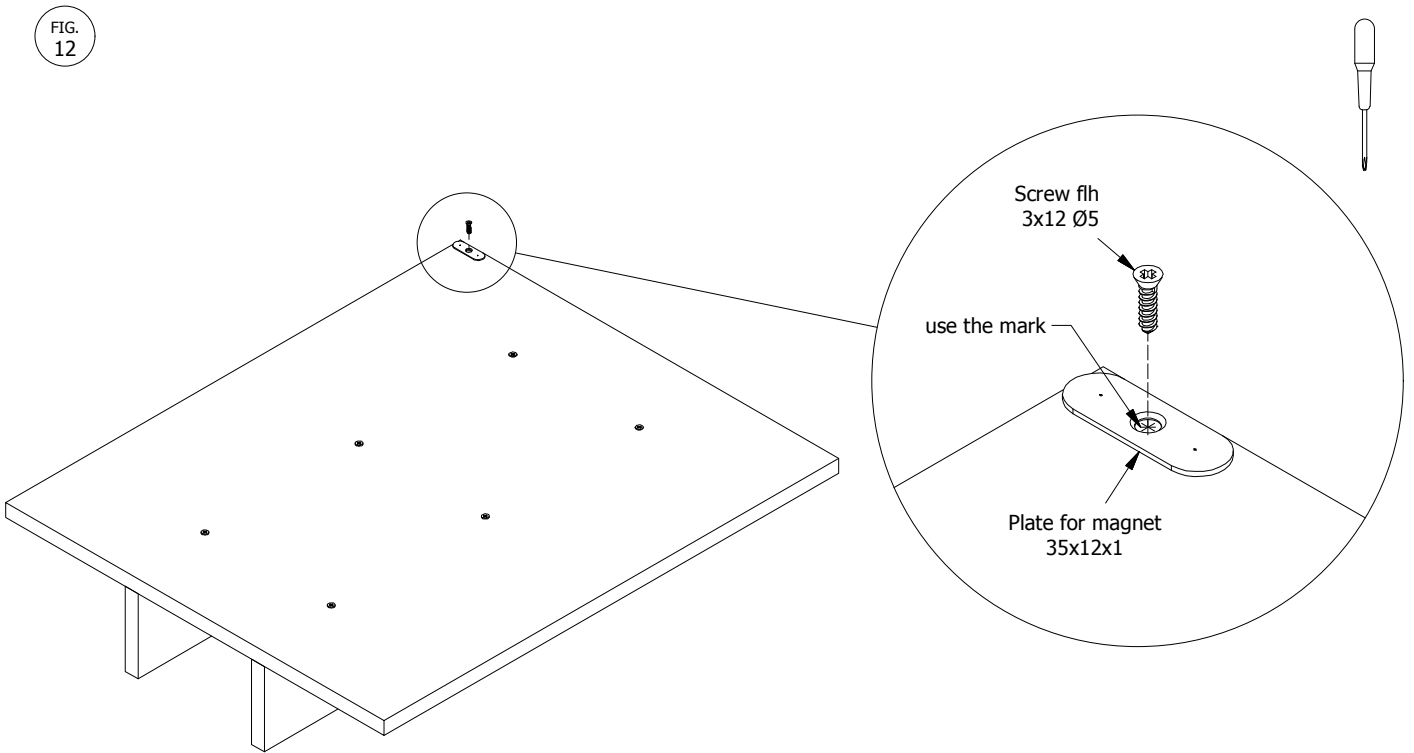


FIG. 13

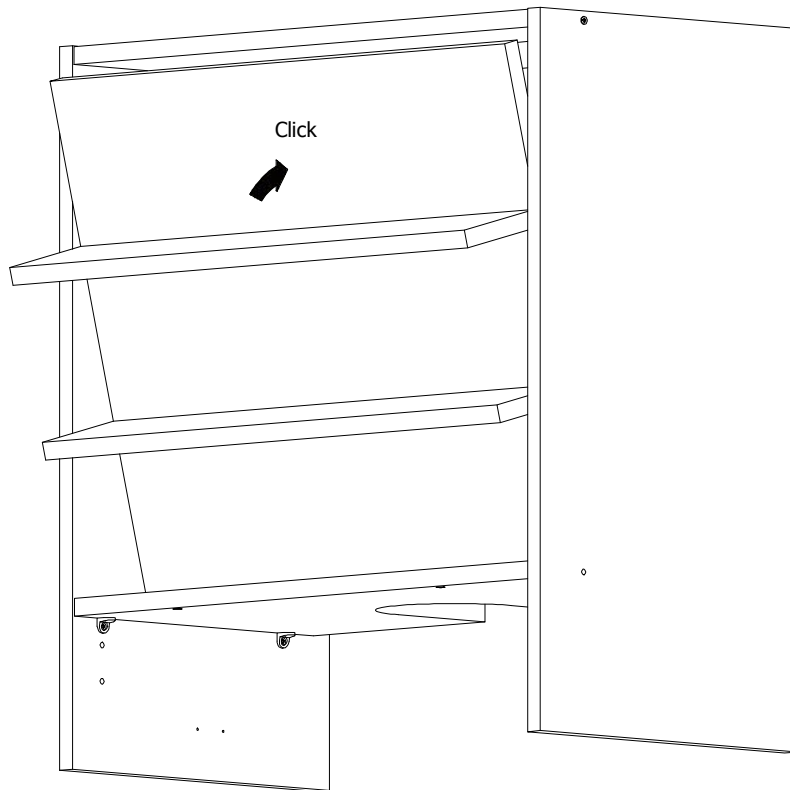


Fig 14

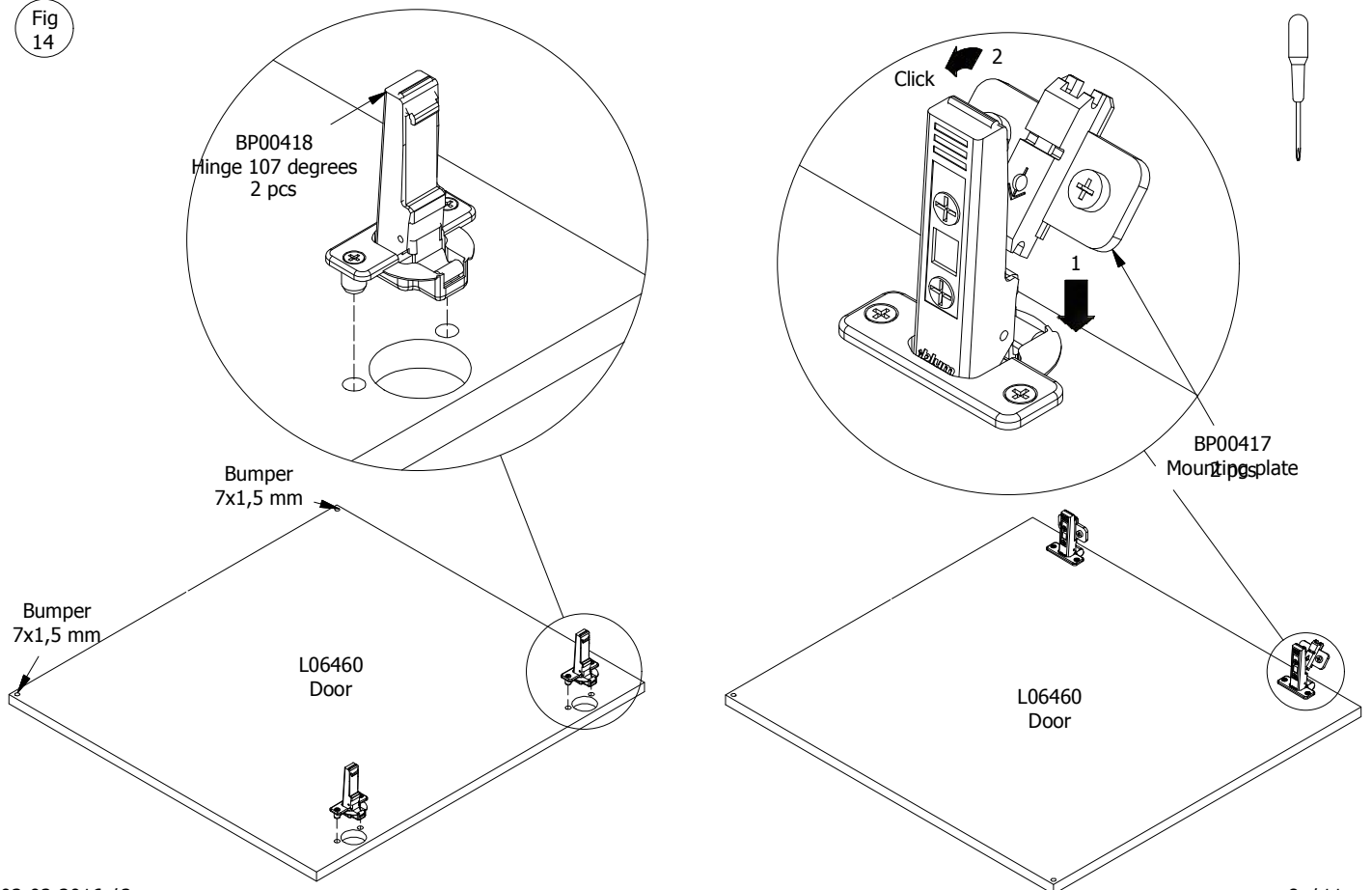


Fig 15

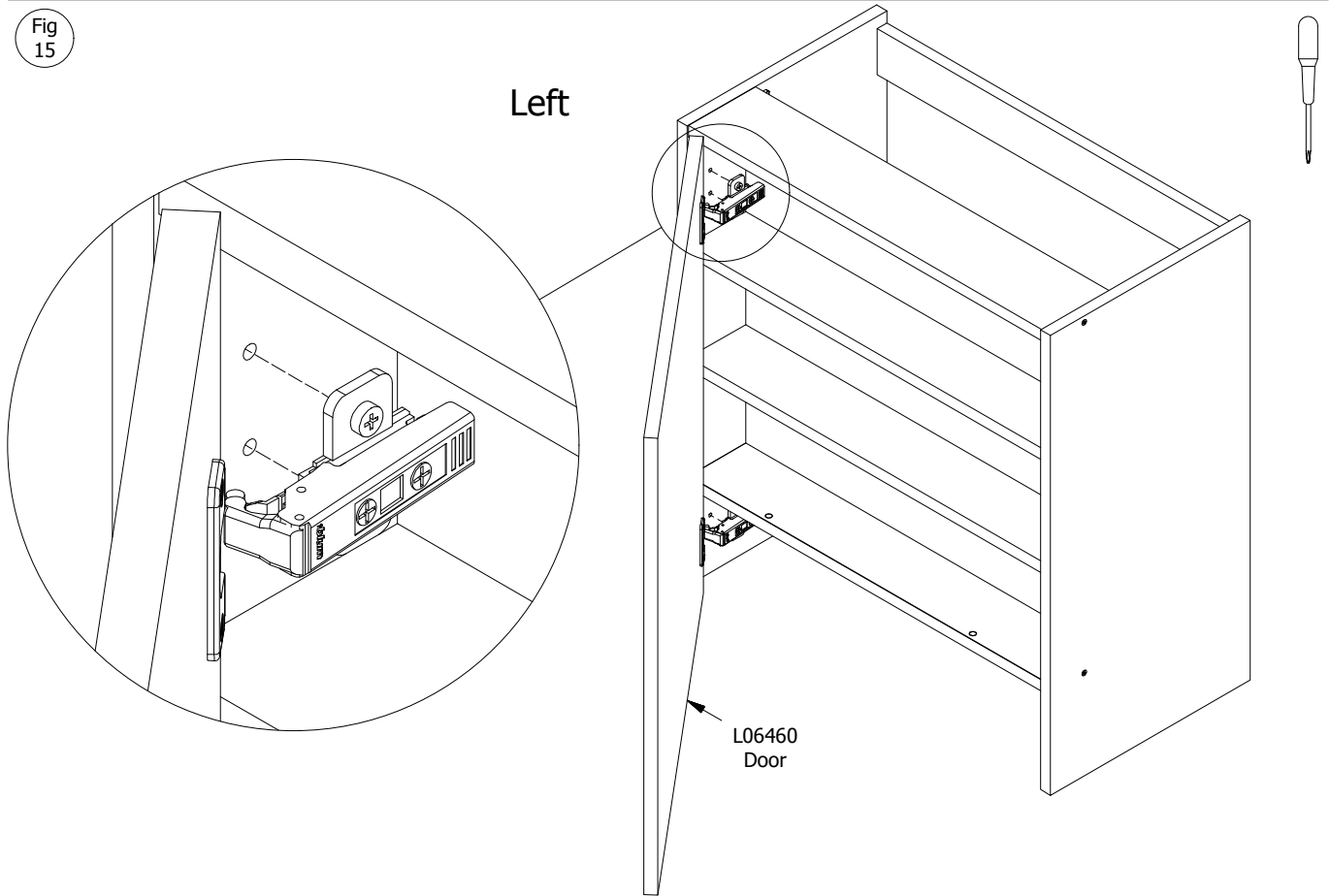


Fig 16

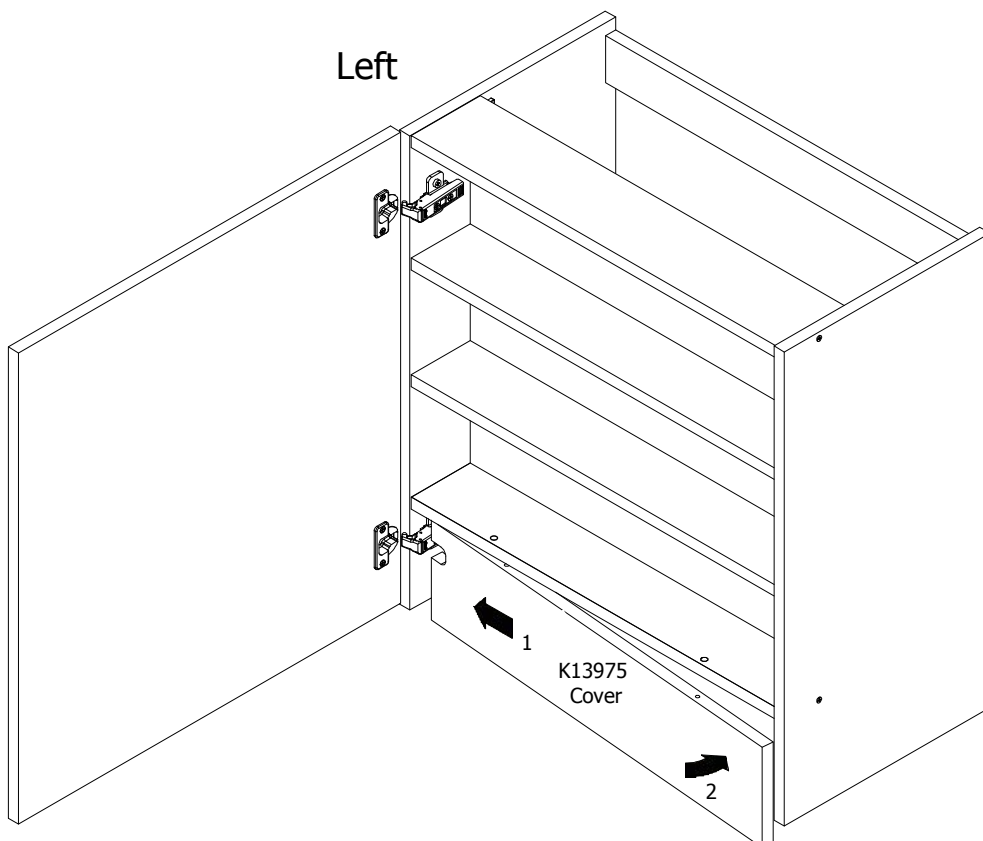


Fig 17

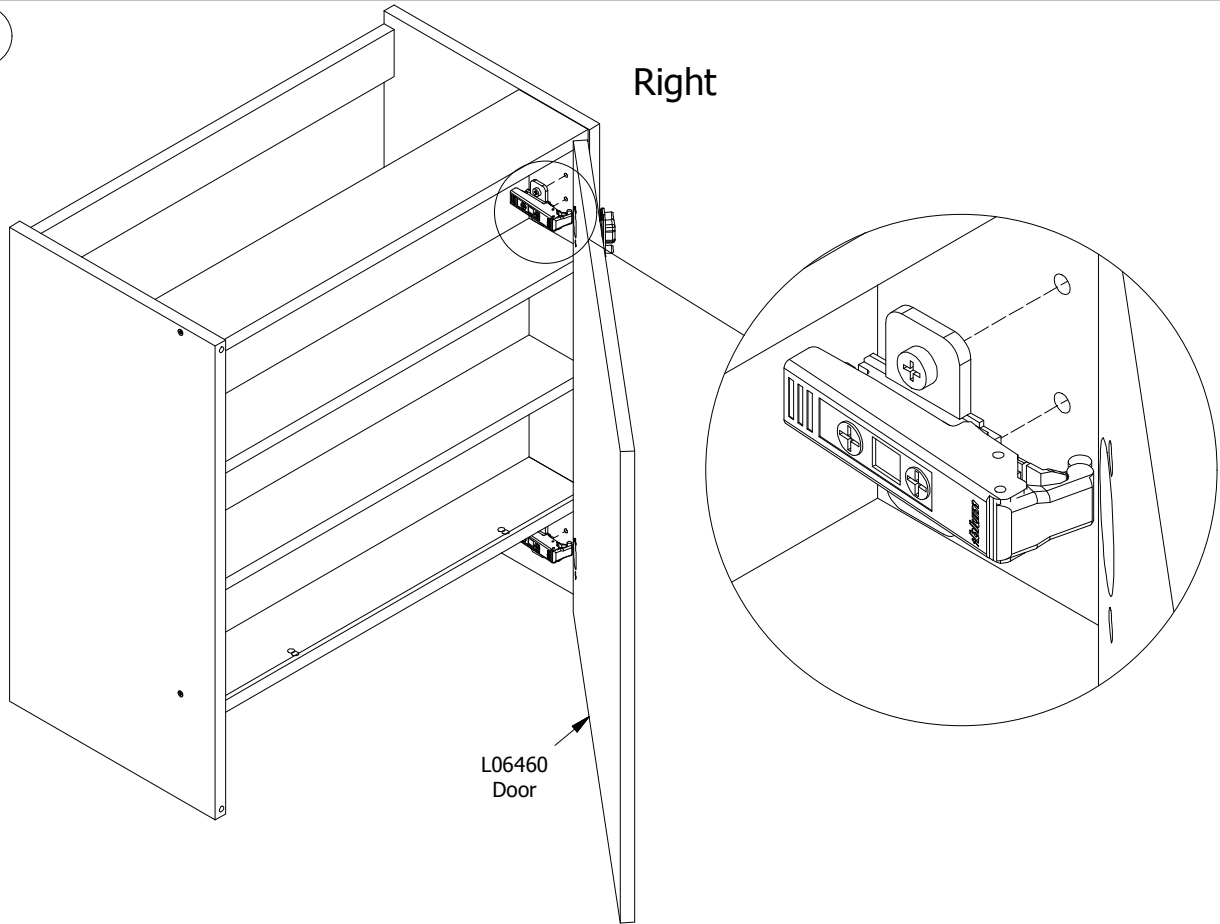


Fig 18

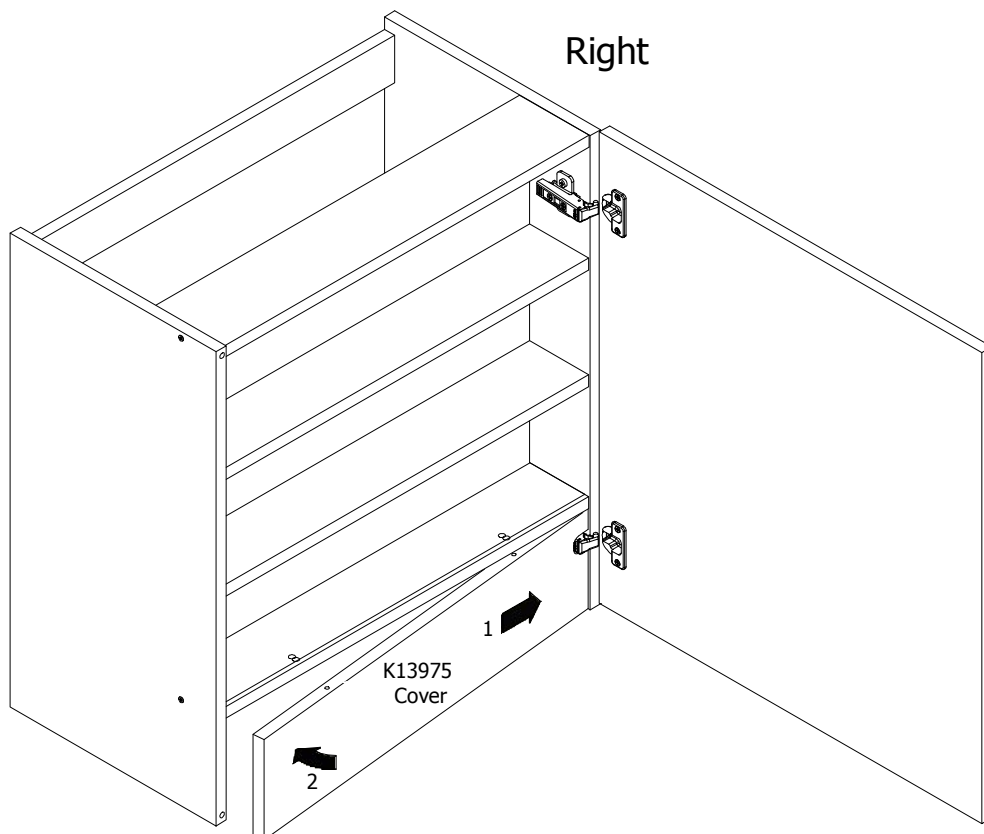
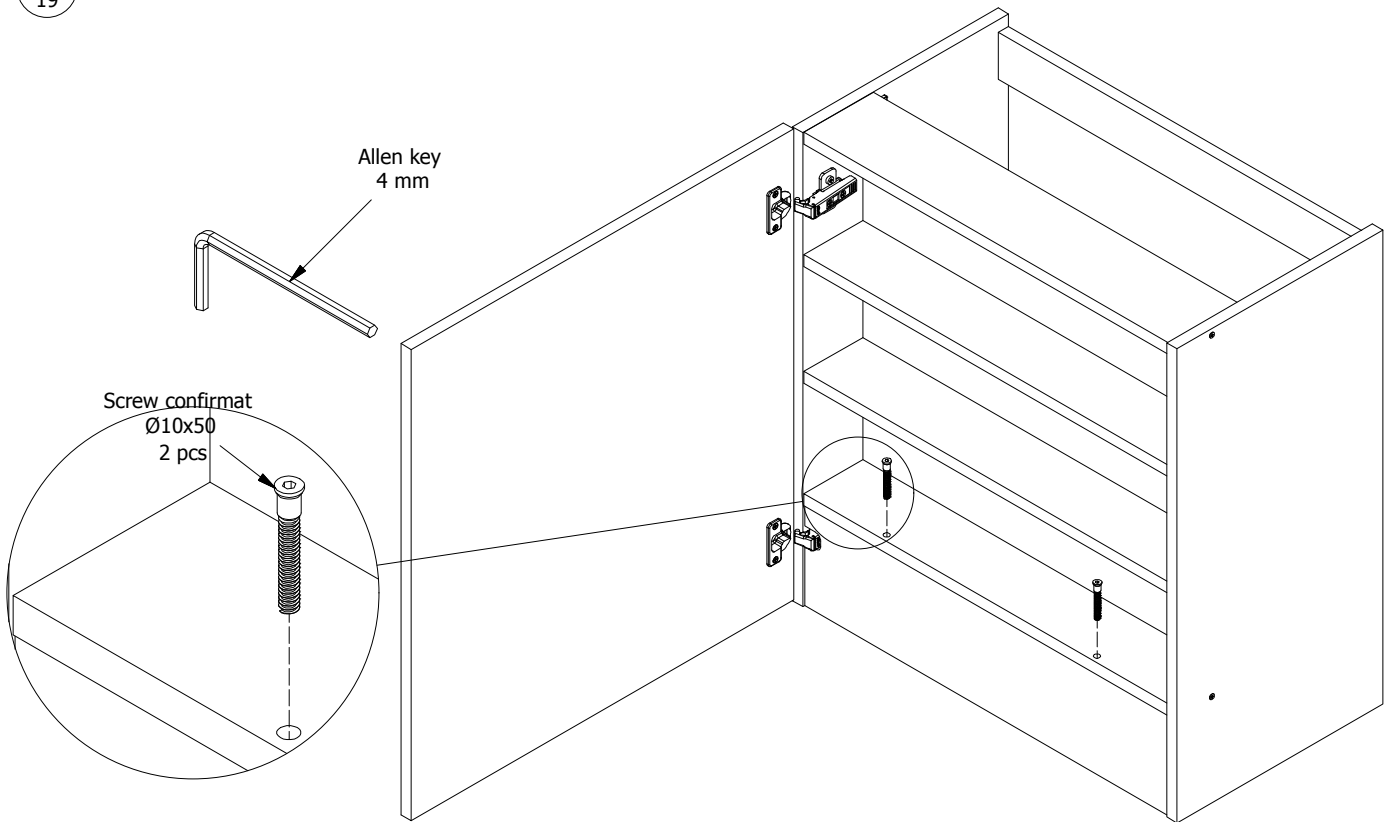


Fig 19



Adjustment

