

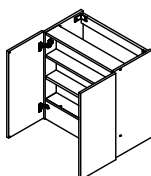
kvik

C664



Check out easy
mounting of your kitchen

Front without integrated handle



L06430



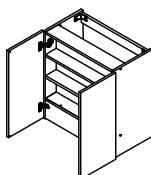
30 cm

L06430



30 cm

Front with integrated handle



L06432

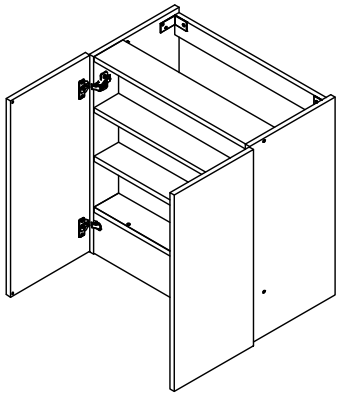


30 cm

L06431



30 cm



kvik

C664

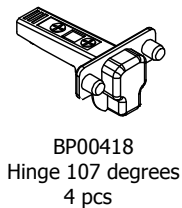
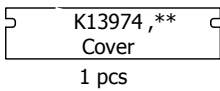
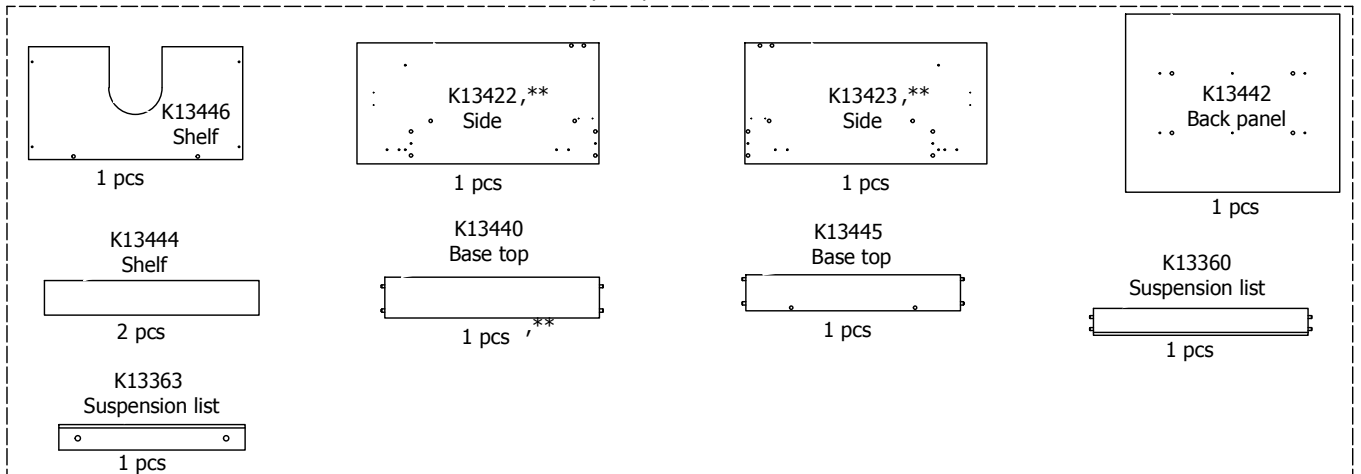


Check out easy
mounting of your kitchen

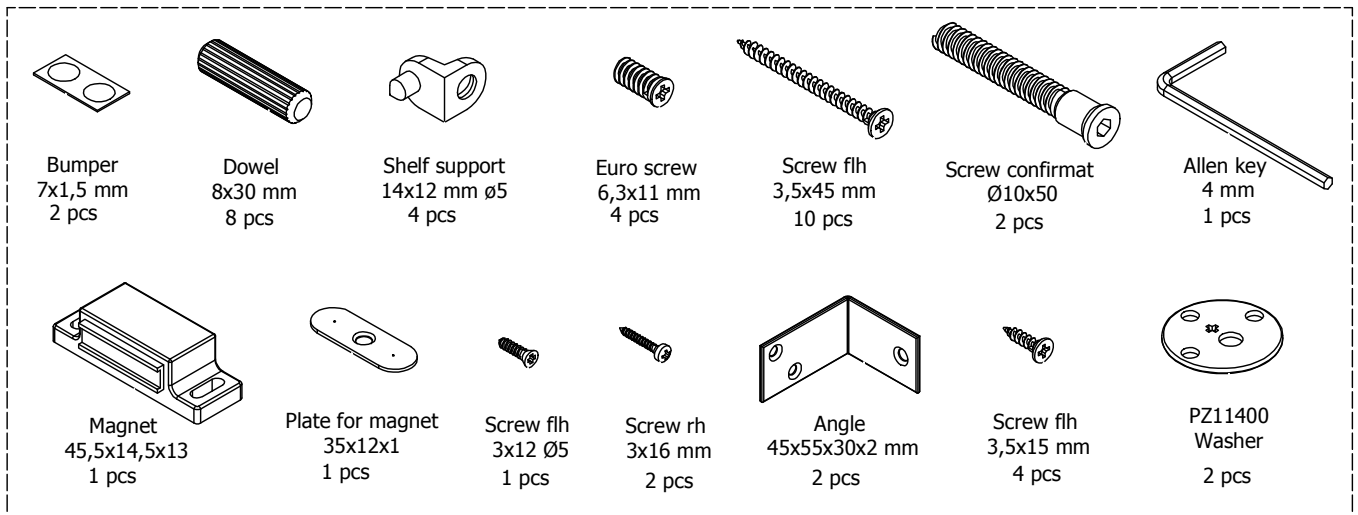
Method 1 (Thermex)

Method 2 (Siemens/Bosch)

DC64,060,000 / 176



BP00029-BP00250-BP11400



Method 1 (Thermex)

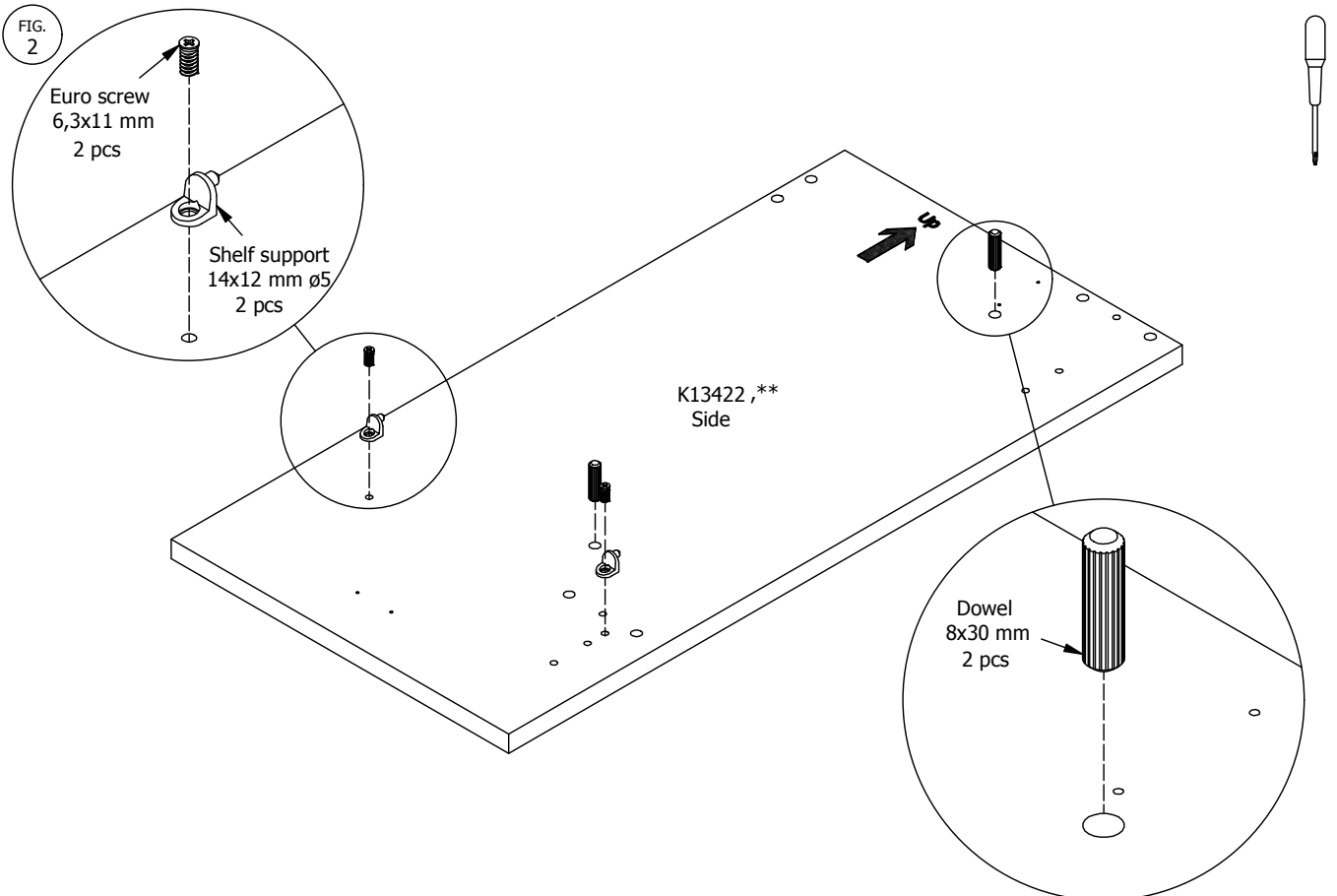
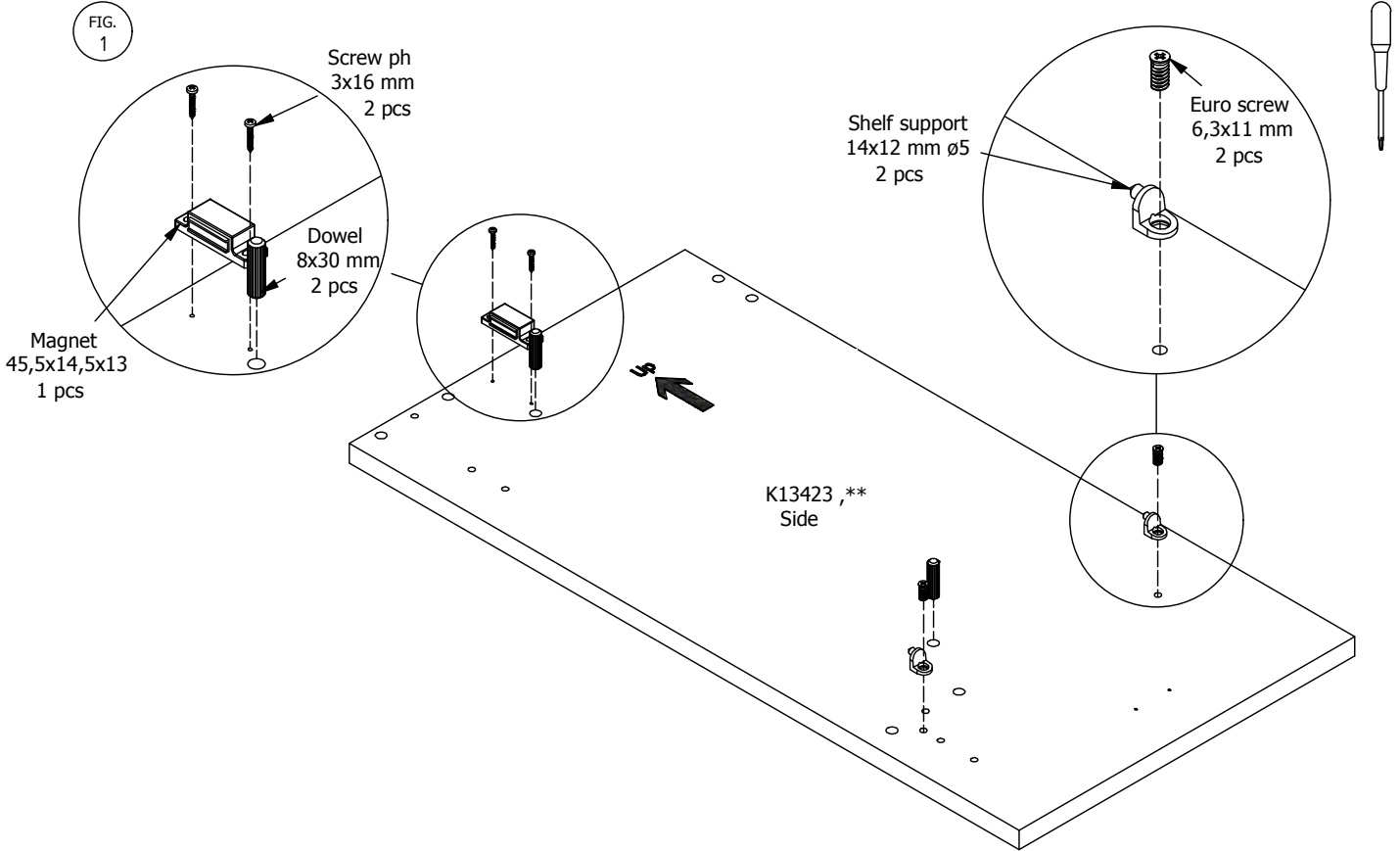


FIG. 3

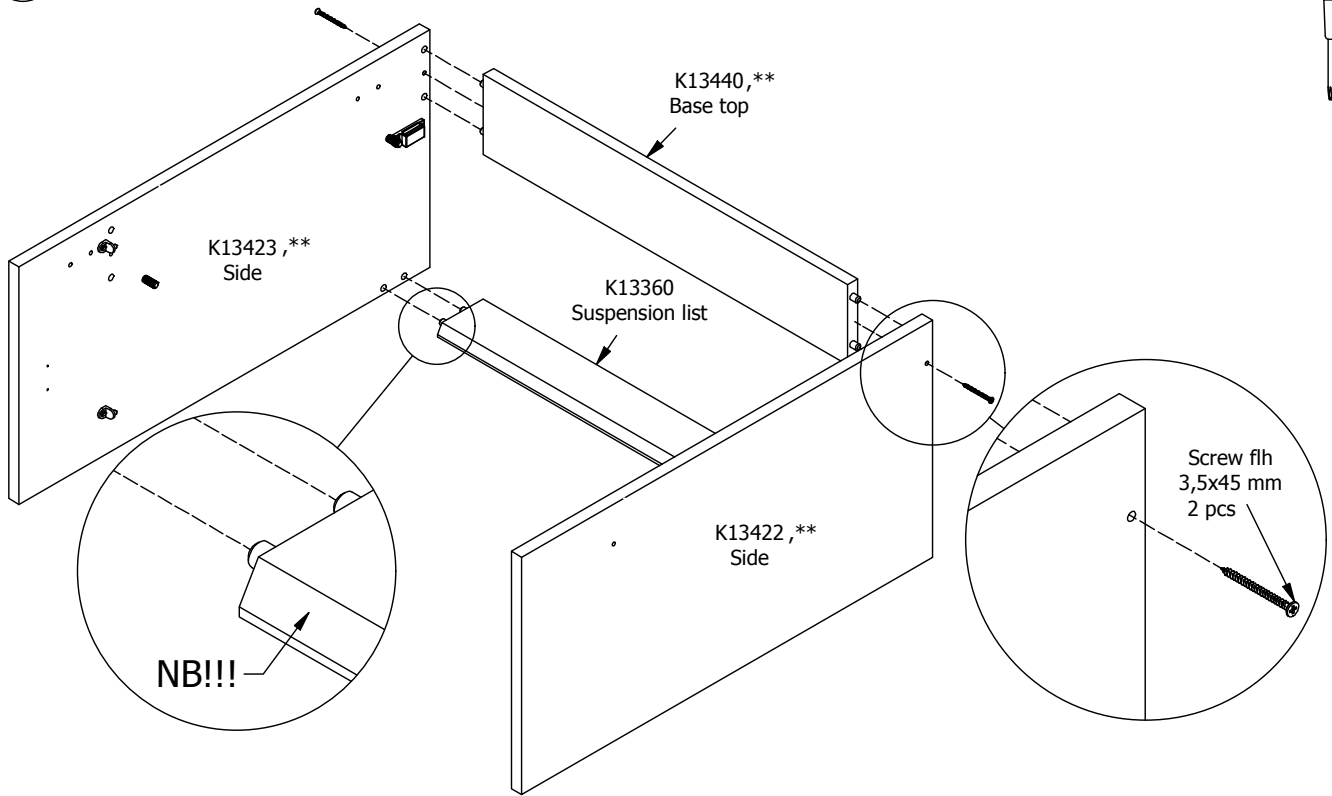


FIG. 4

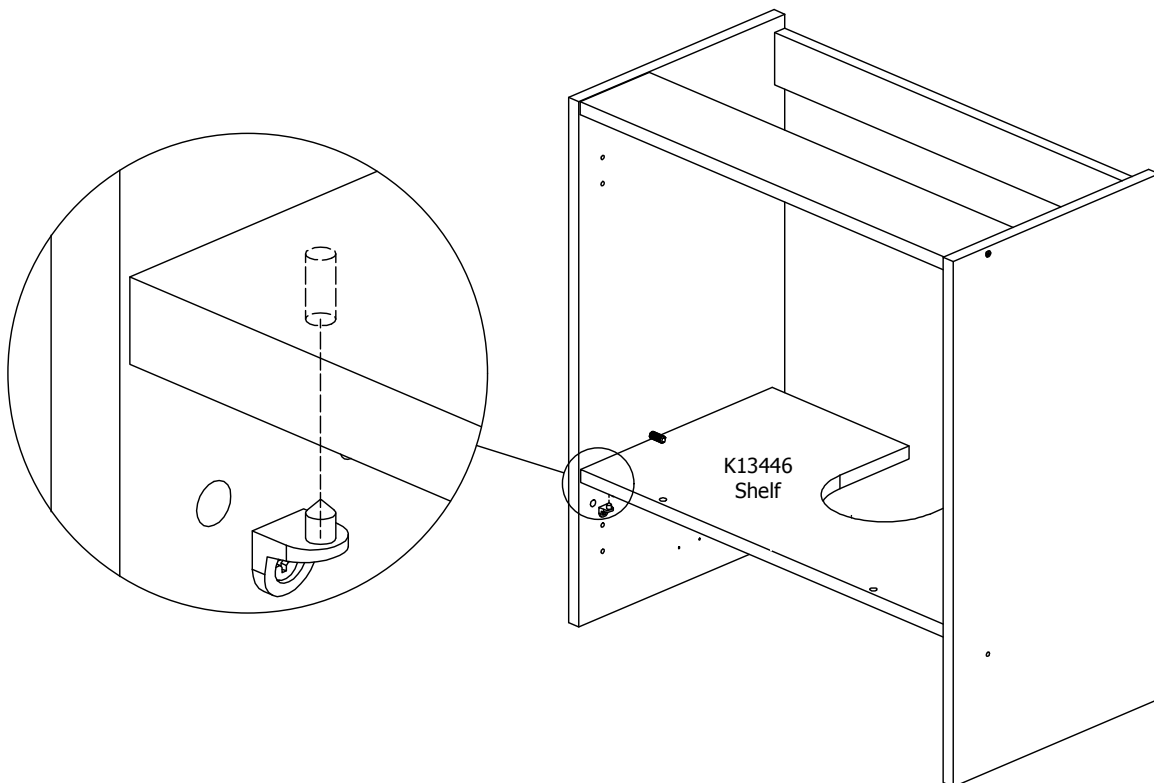


FIG. 5

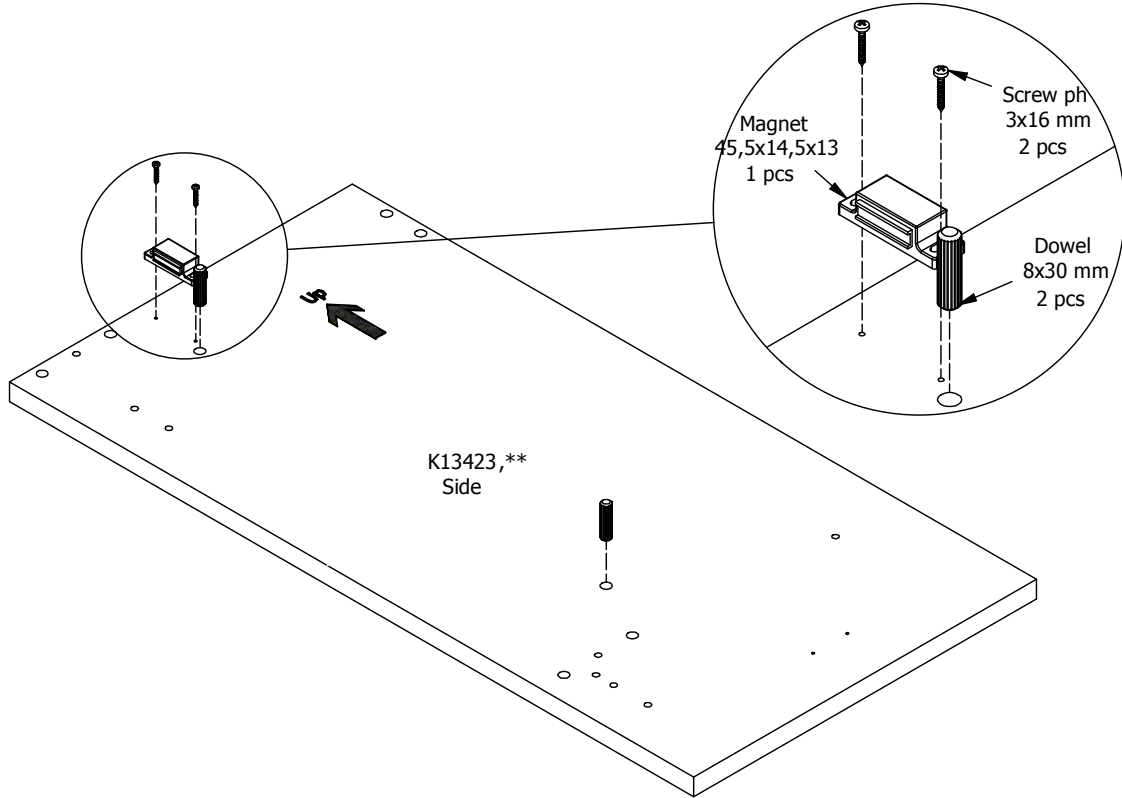


FIG. 6

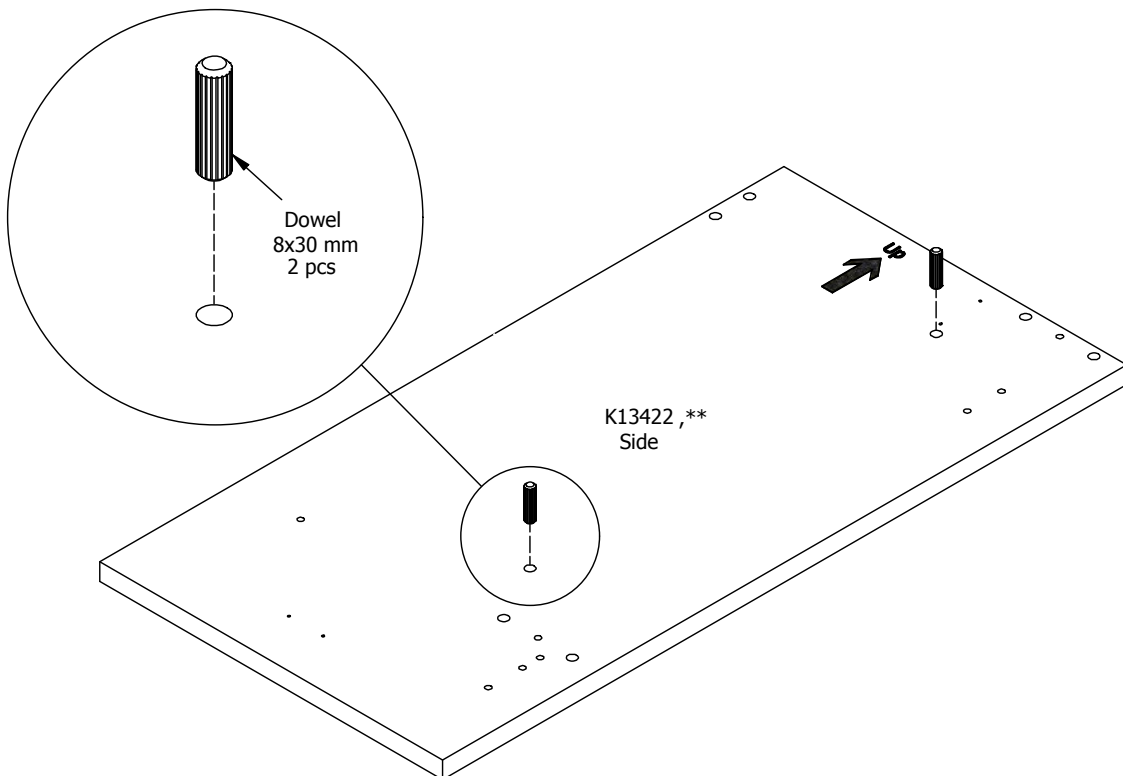


FIG. 7

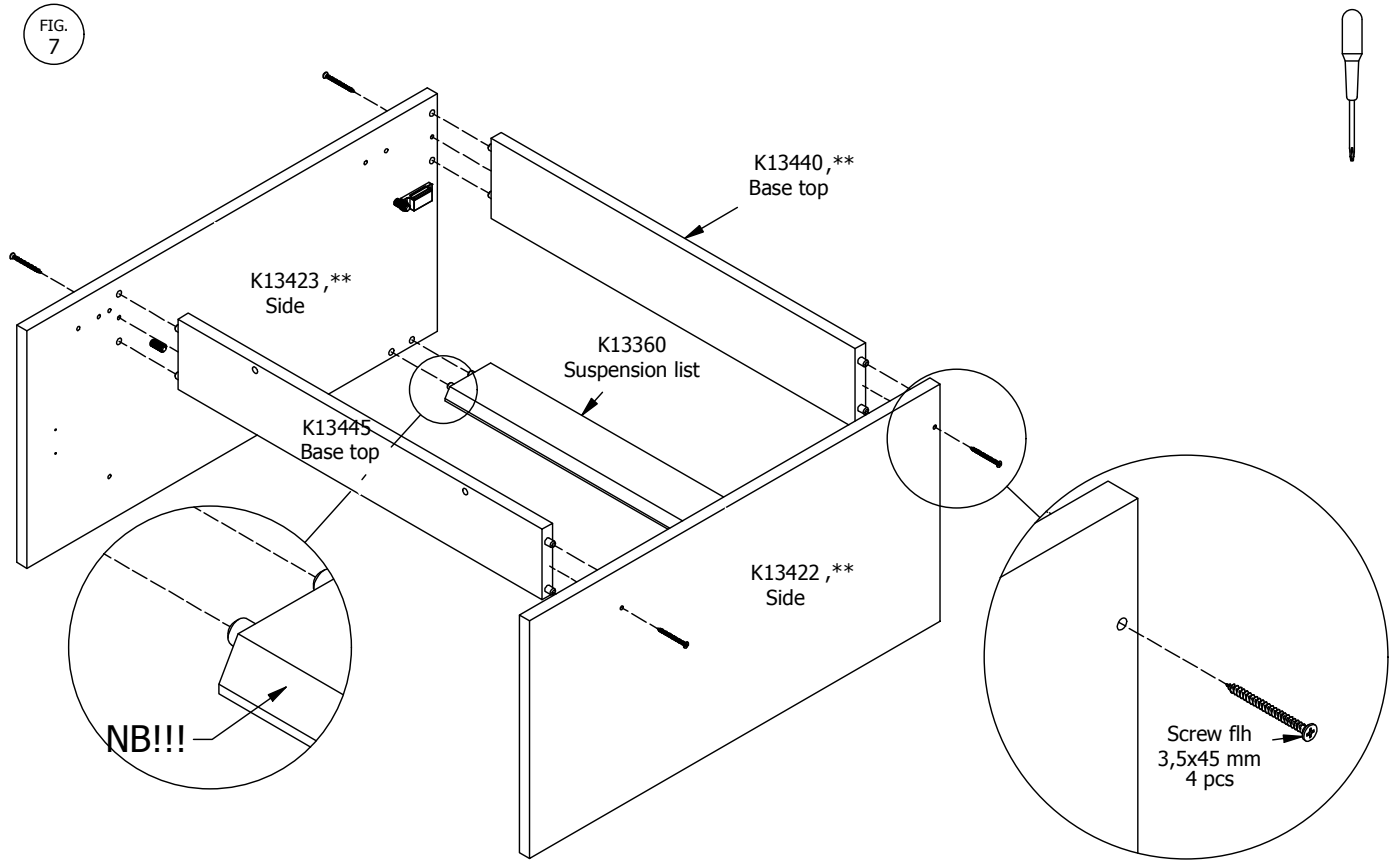


FIG. 8

Method 1 and 2

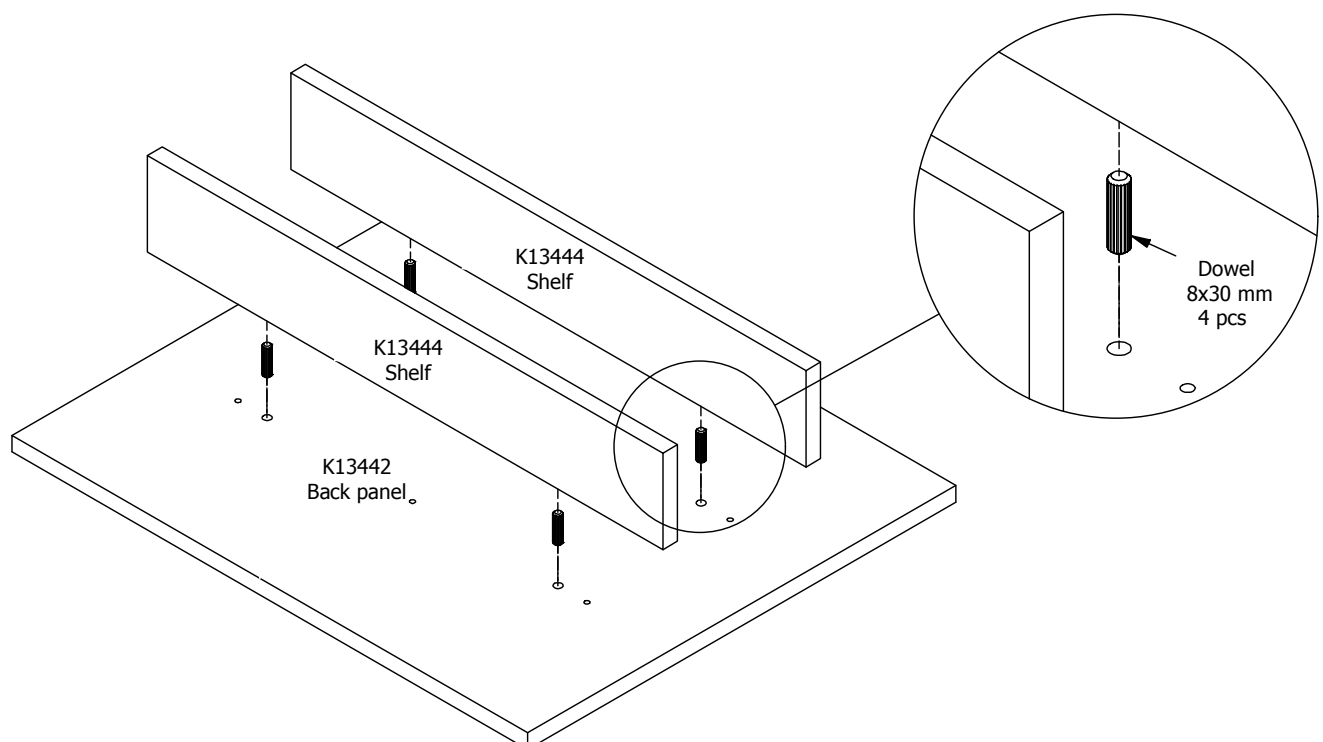


FIG. 9

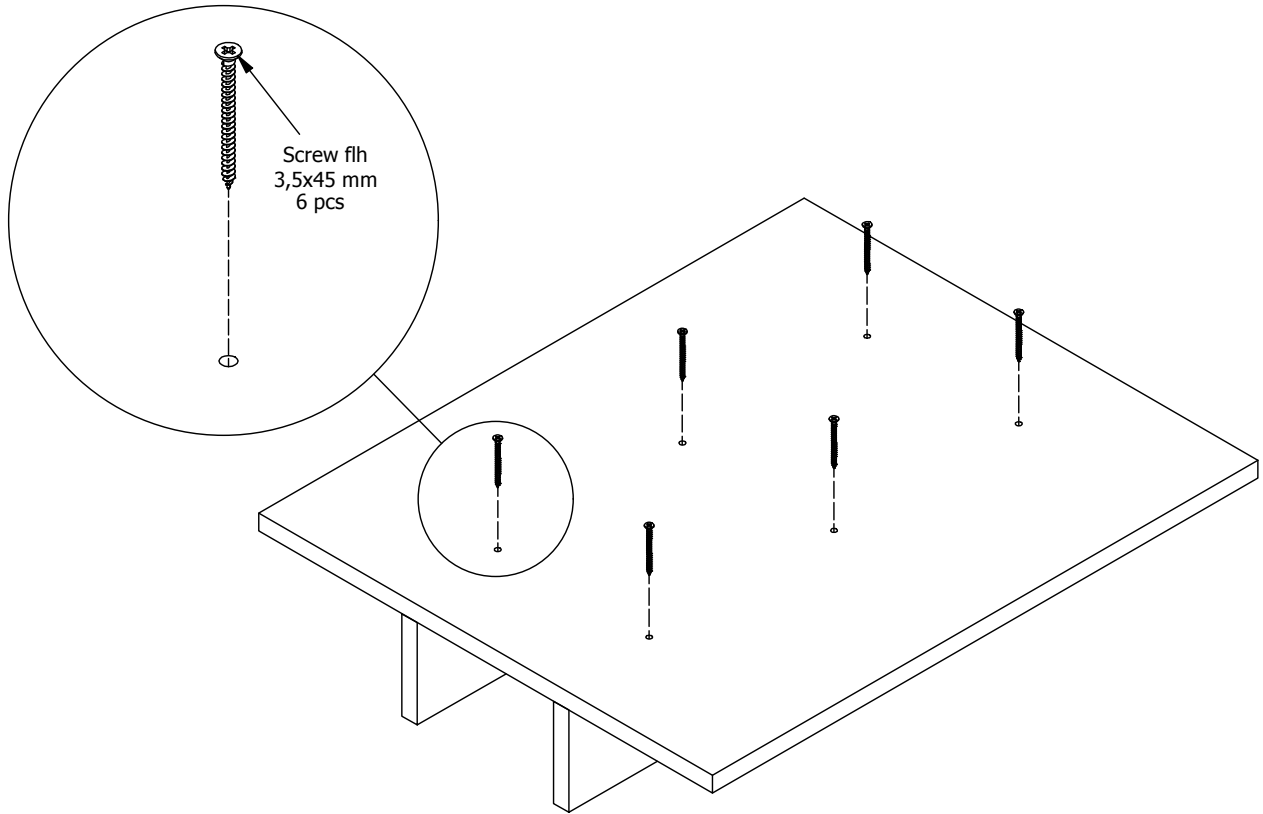


FIG. 10

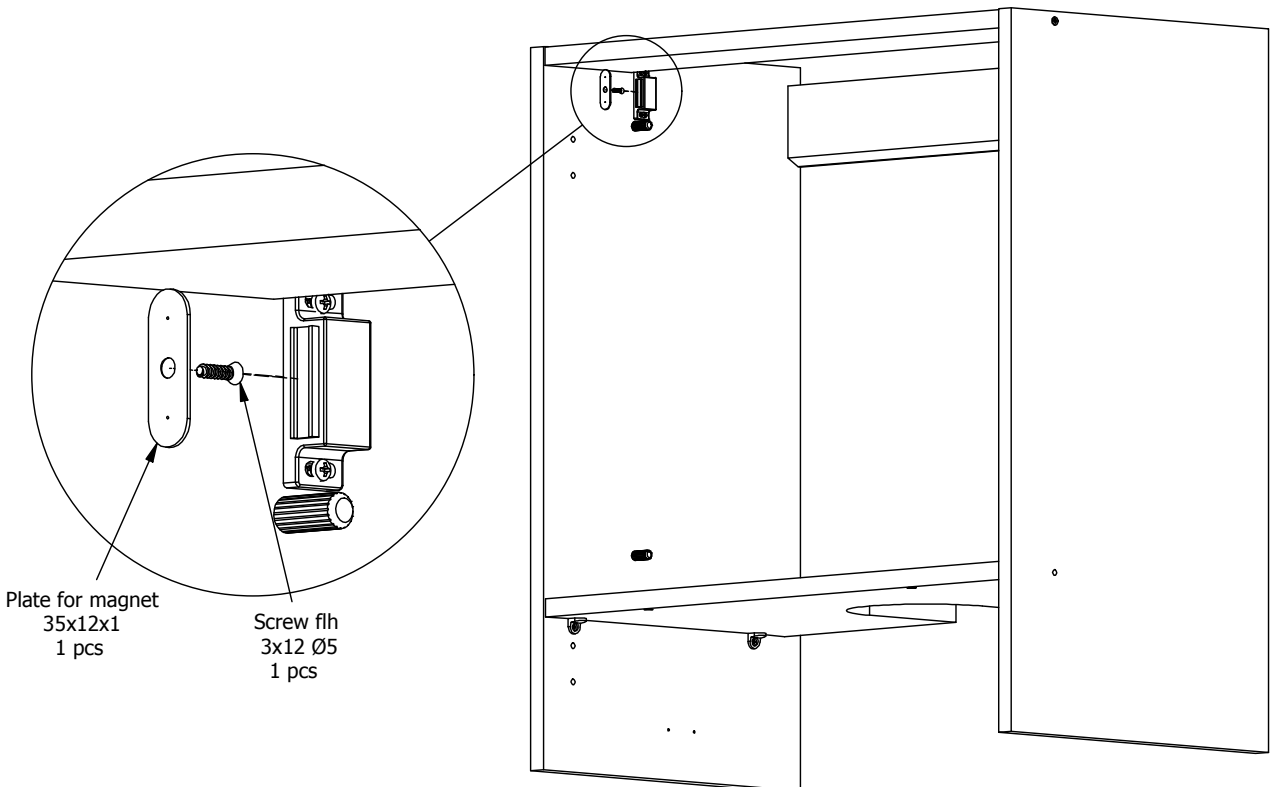


FIG. 11

Push, and the screw will make a mark on the backside, to use to mount the plate for magnet

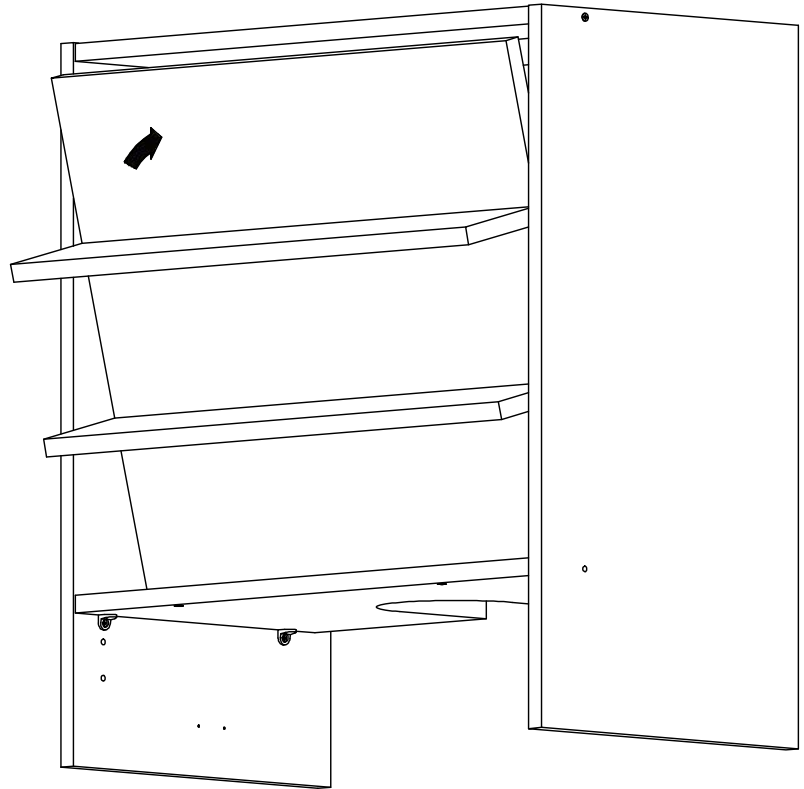


FIG. 12

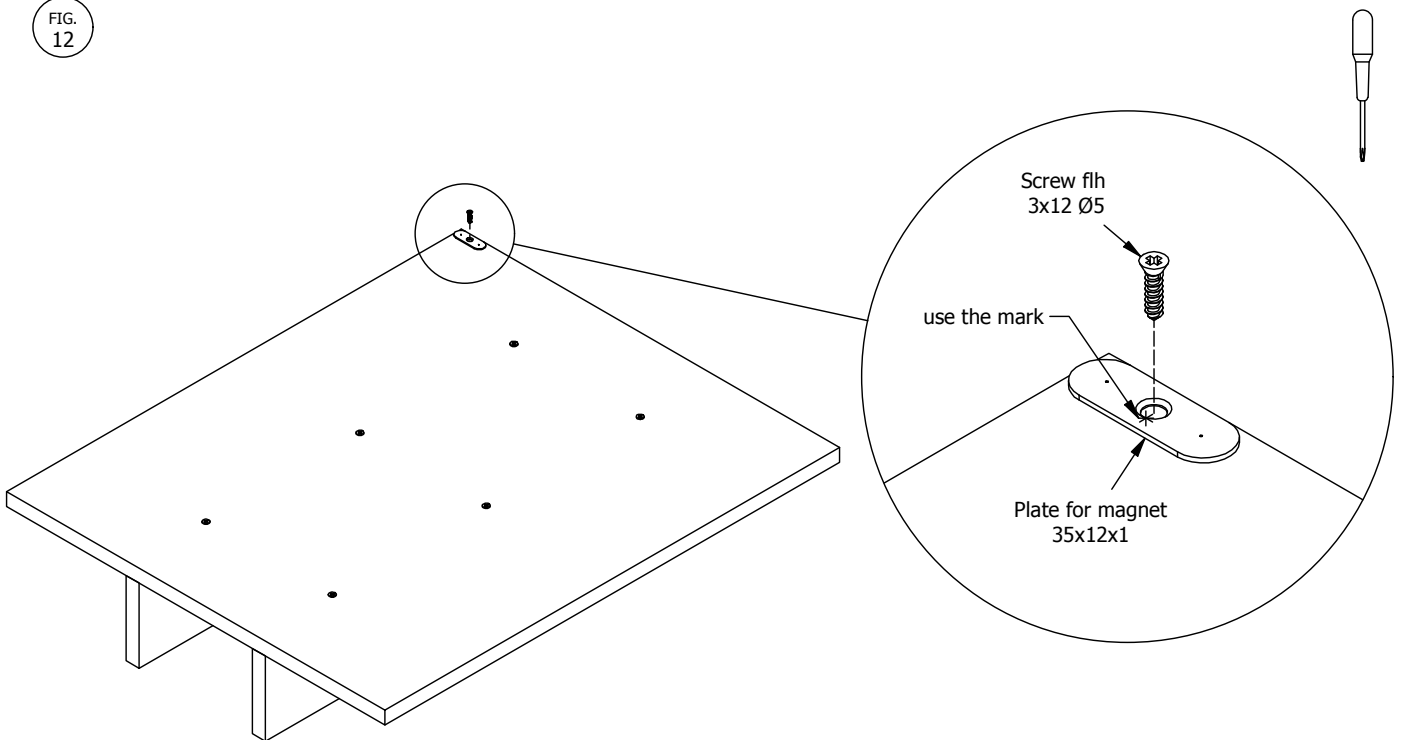


FIG. 13

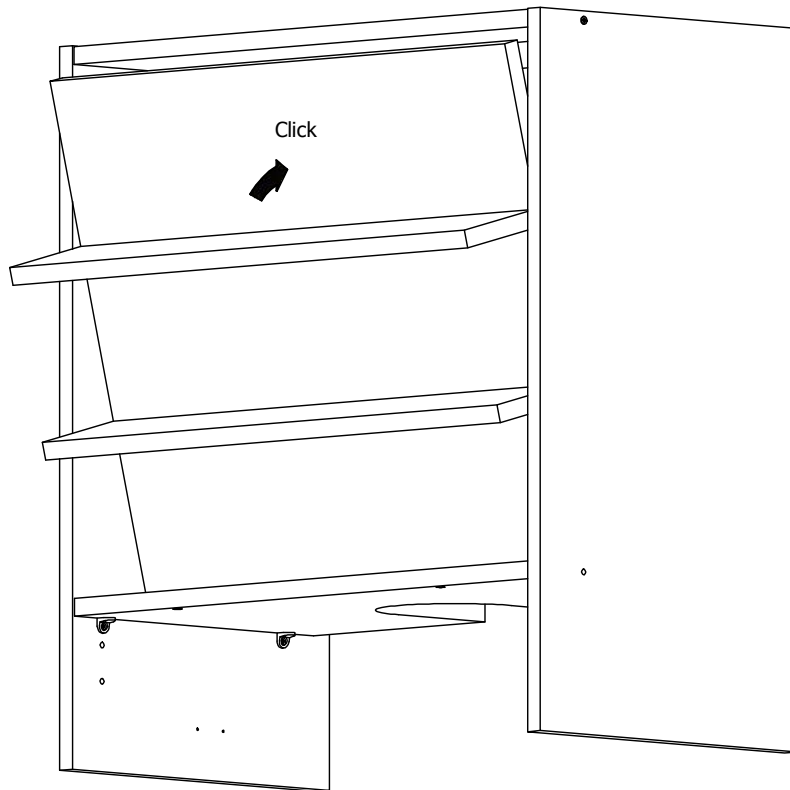


Fig 14

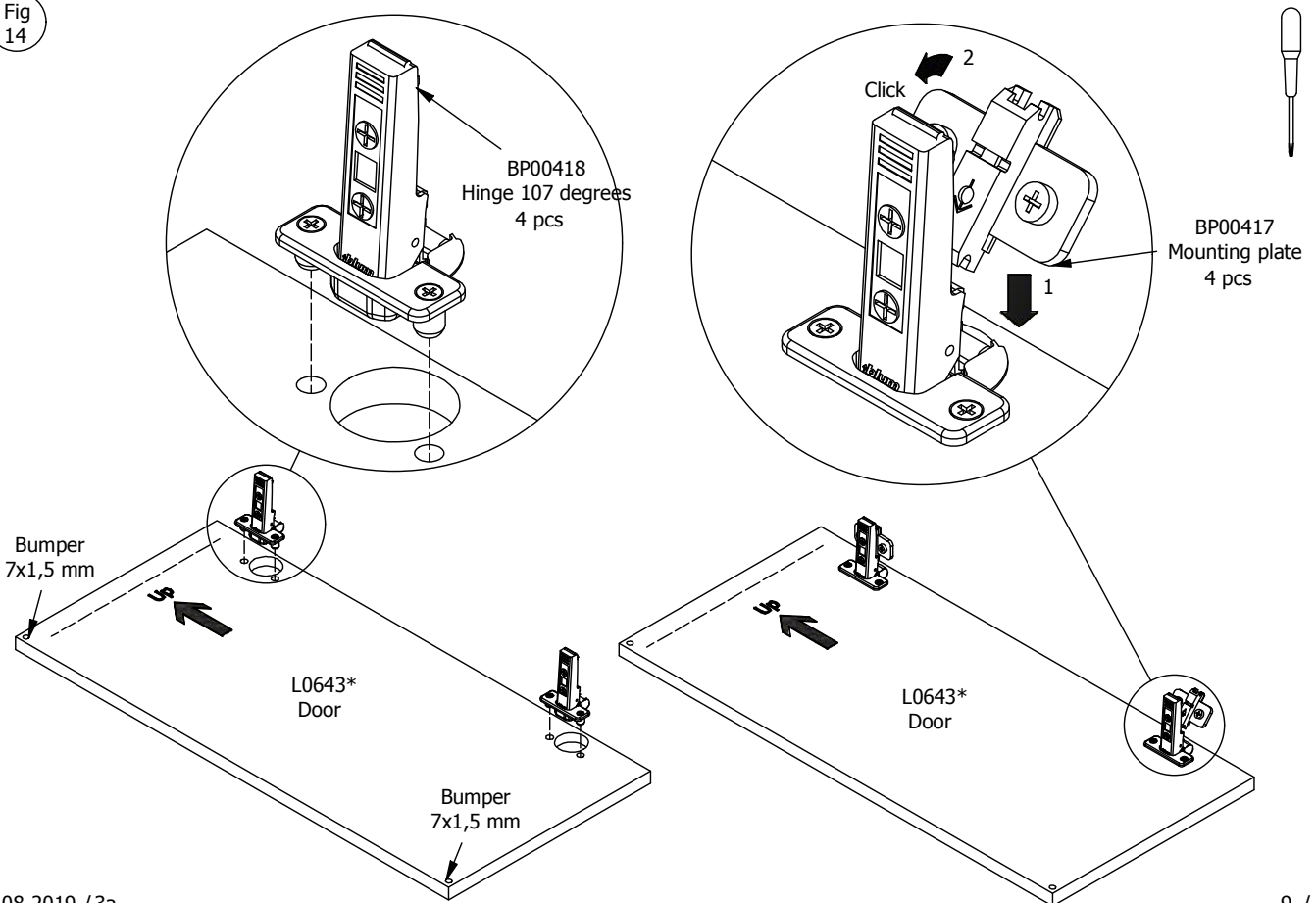


Fig 15

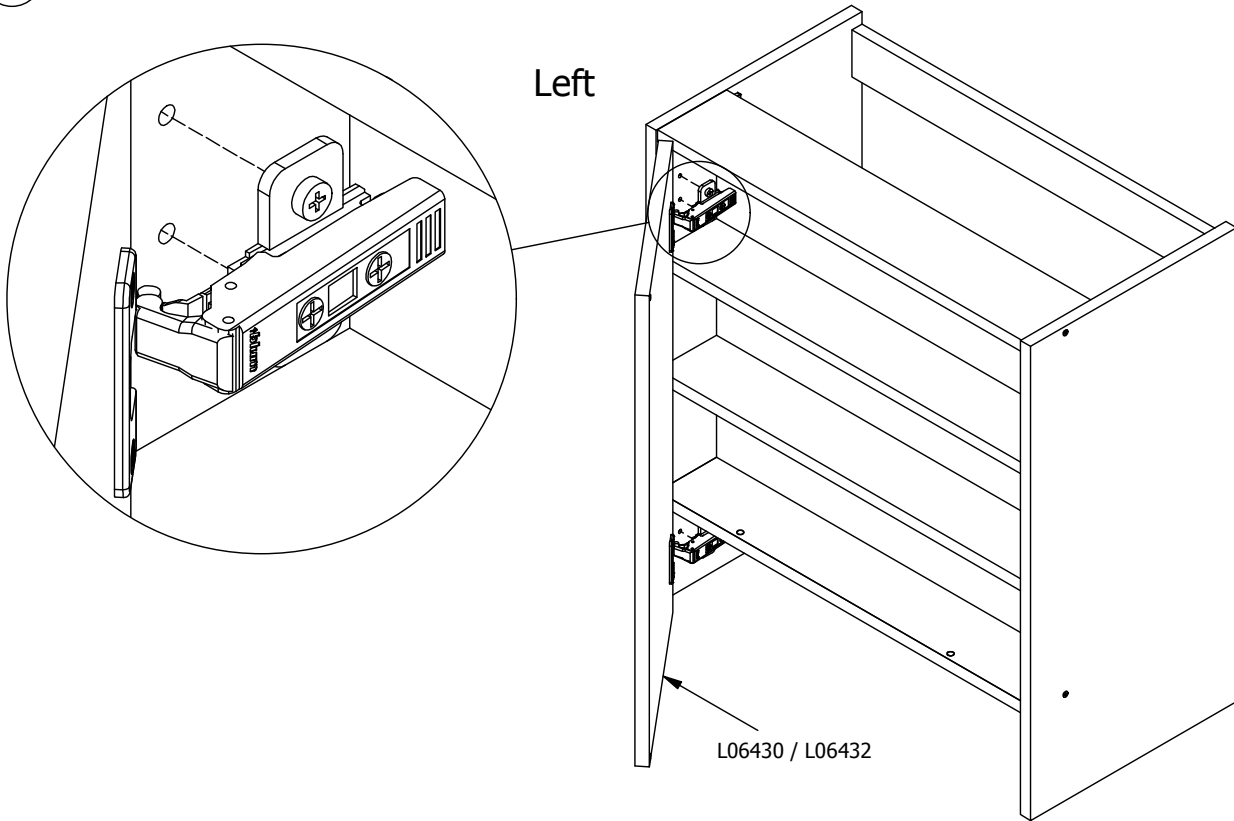
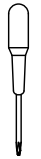


Fig 16

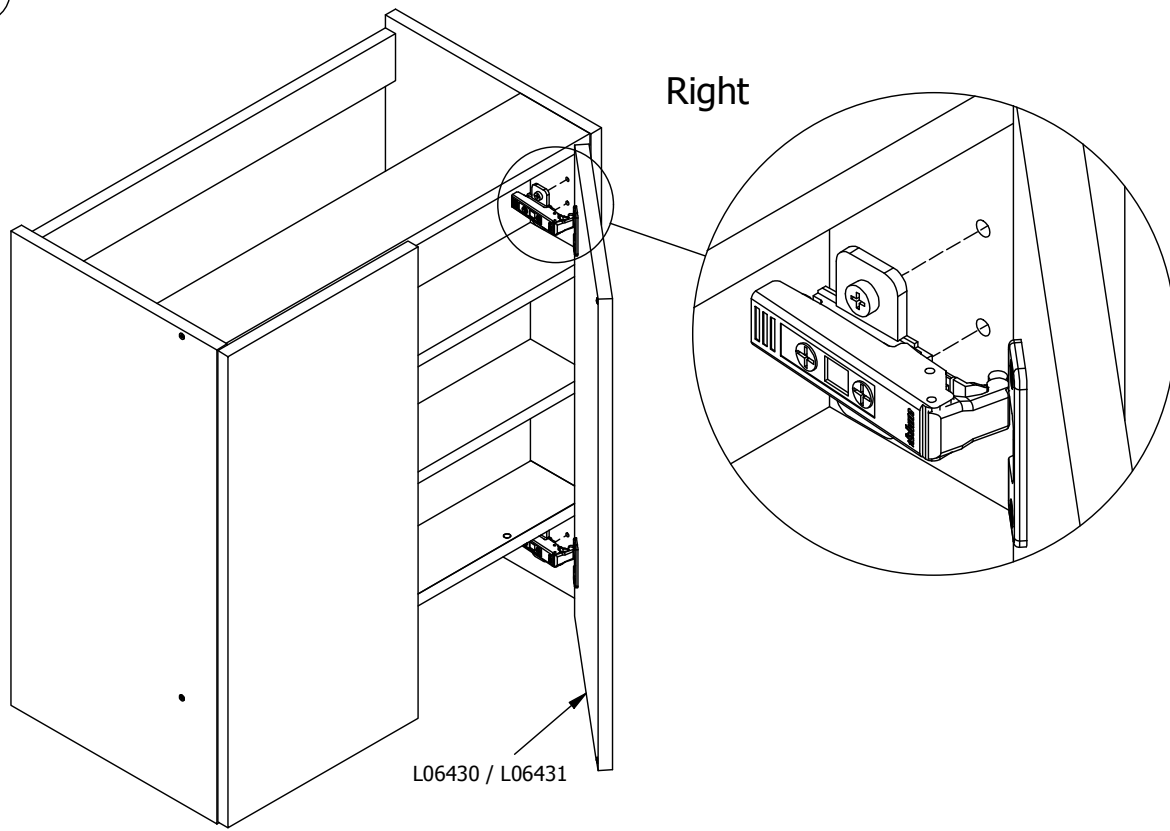
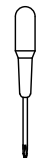


Fig 17

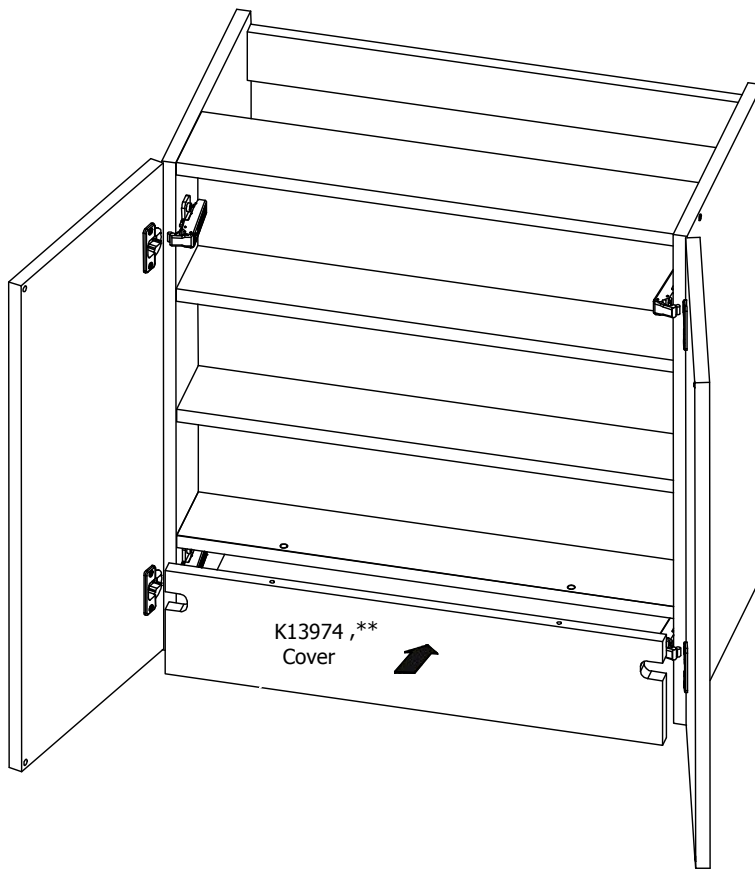
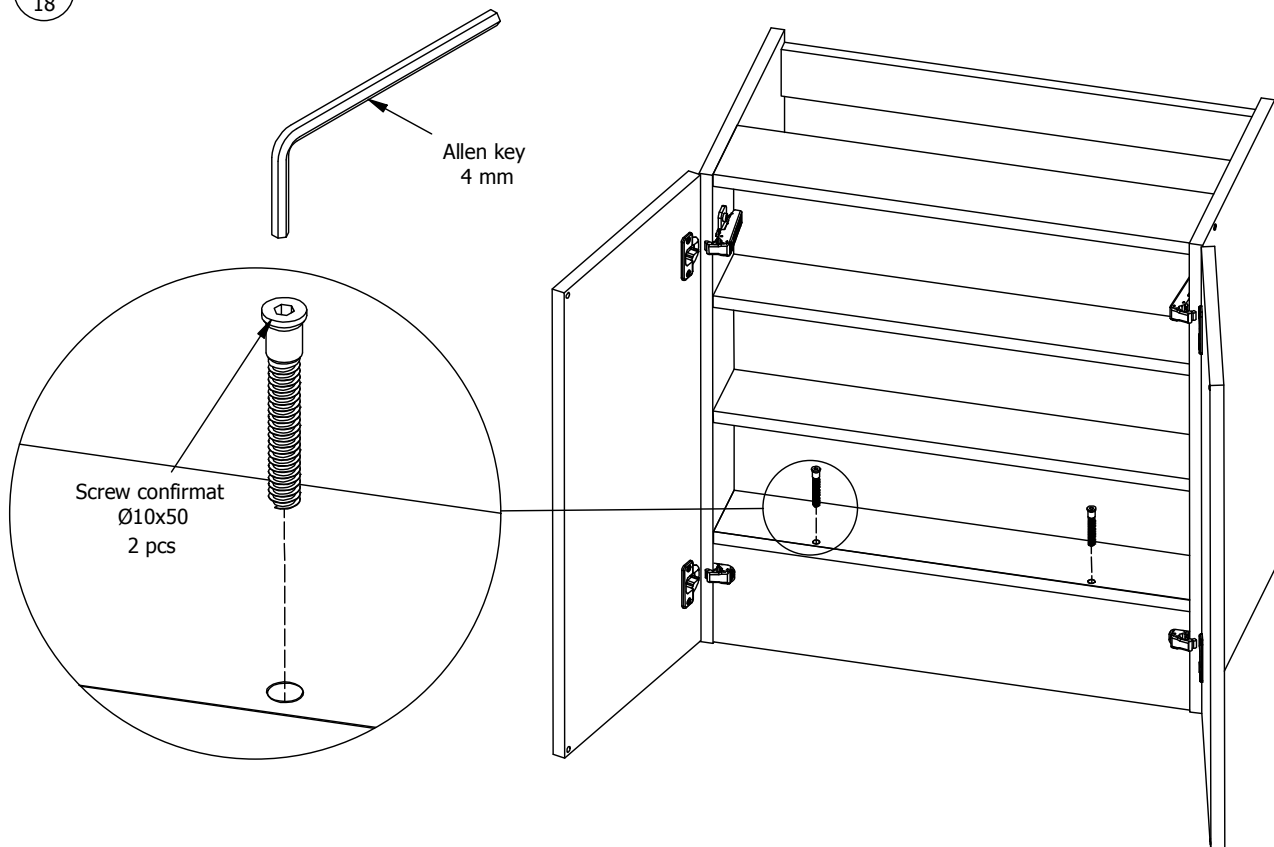


Fig 18



Adjustment

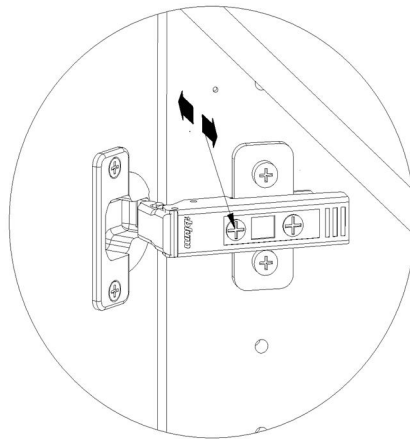
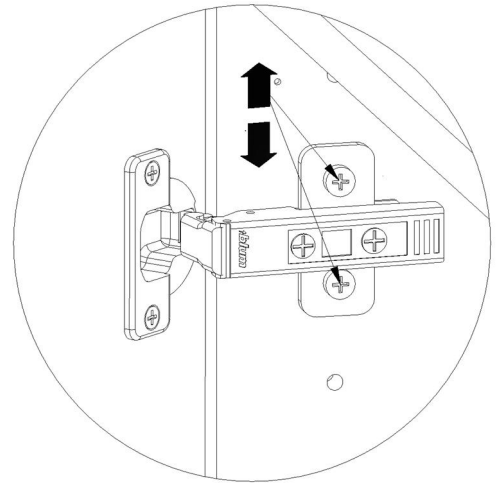
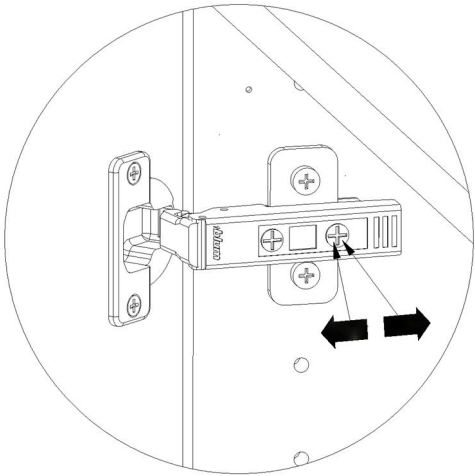
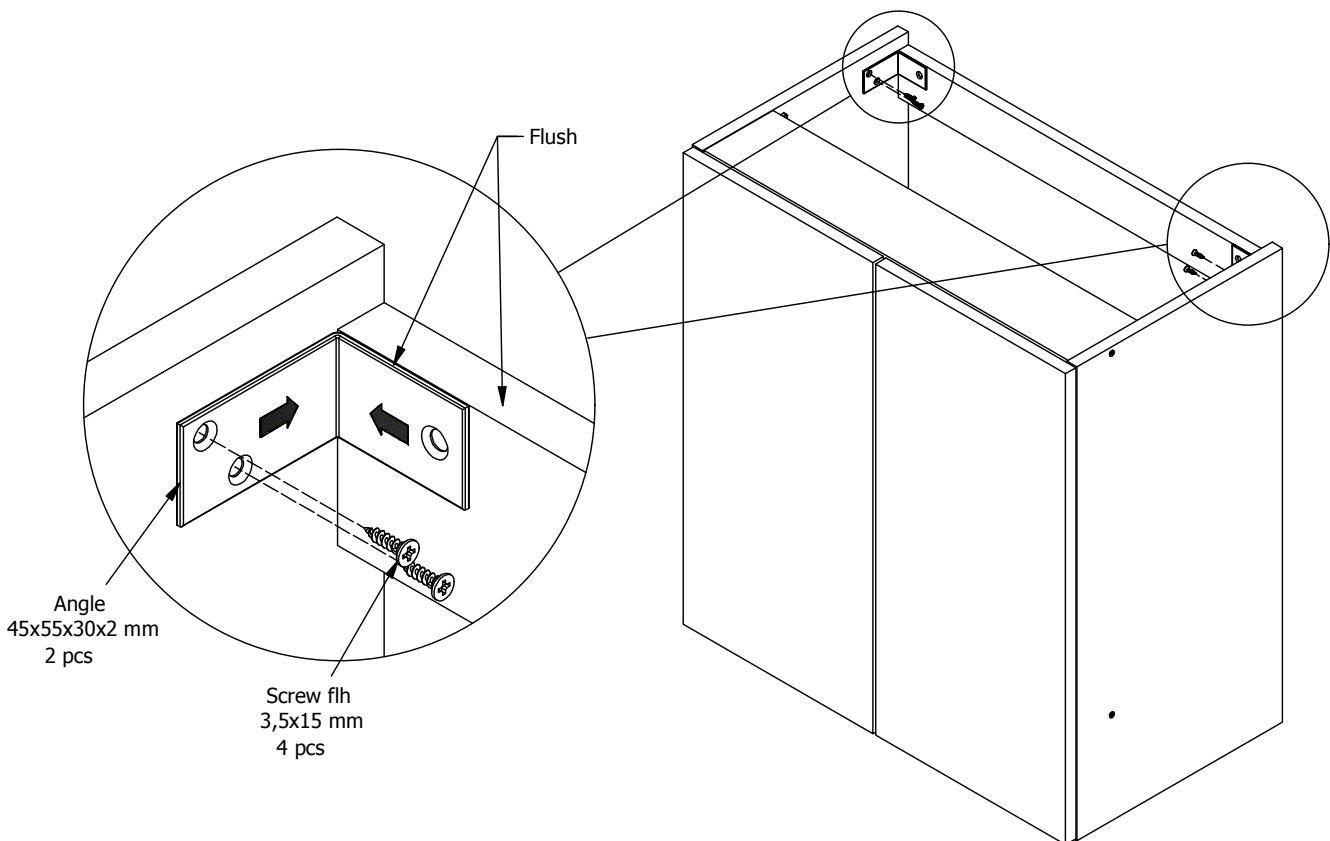


Fig 19



Installation, please read instruction BP11400

