

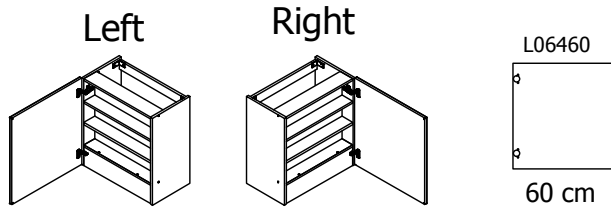
**kvik**



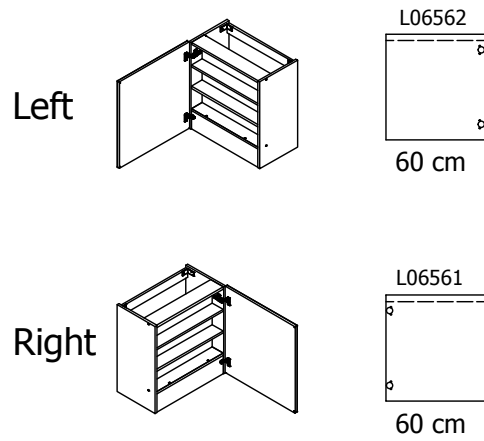
C664

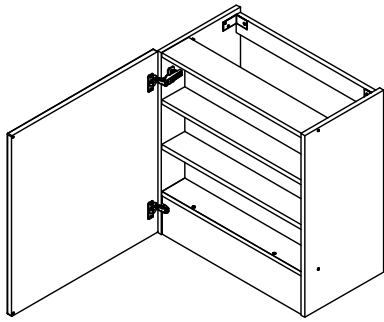
Check out easy  
mounting of your kitchen

Front without integrated handle



Front with integrated handle





**kvik**

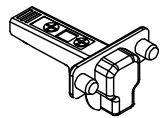
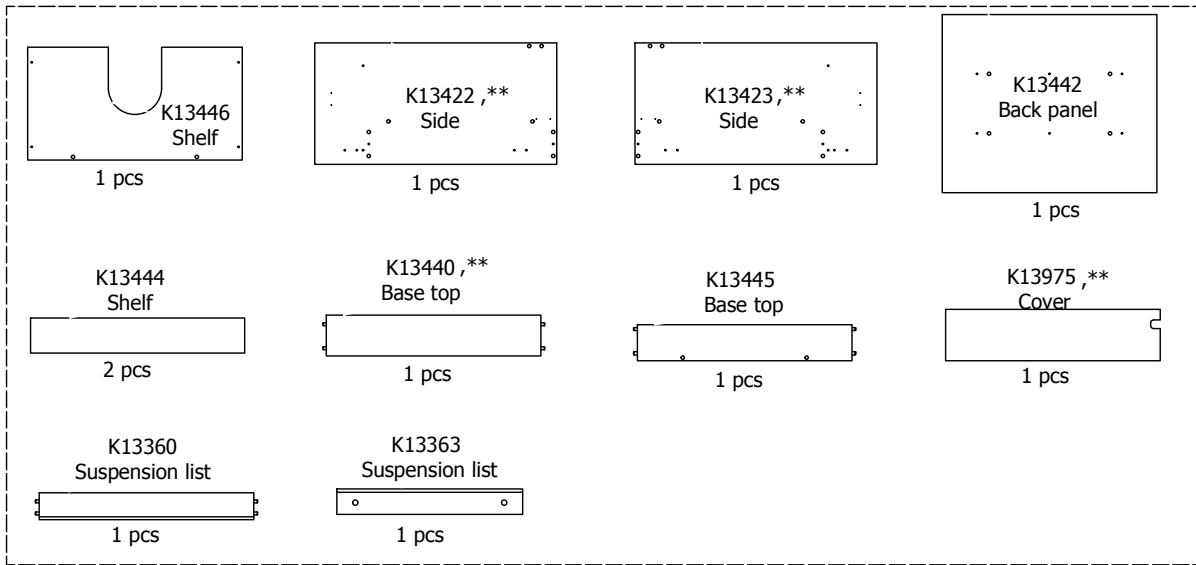
**C664**



Check out easy  
mounting of your kitchen

**Method 1 (Thermex)**  
**Method 2 (Siemens/Bosch)**

DC64,060,000 / 176

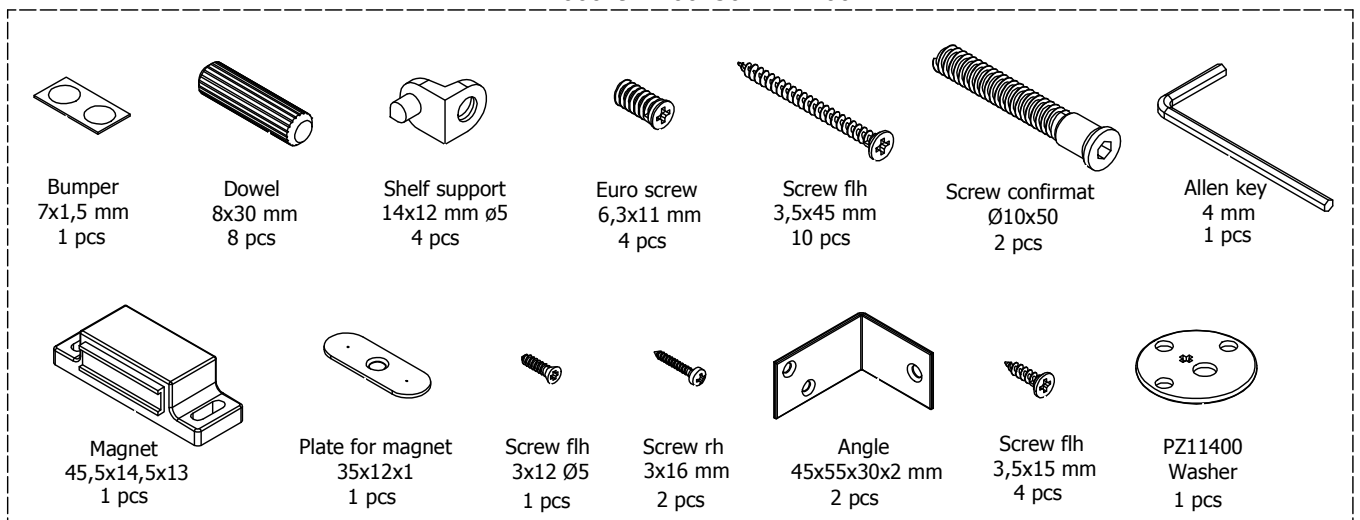


**BP00418**  
Hinge 107 degrees  
2 pcs



**BP00417**  
Mounting plate  
2 pcs

BP00029-BP00250-BP11400



Method 1 (Thermex)

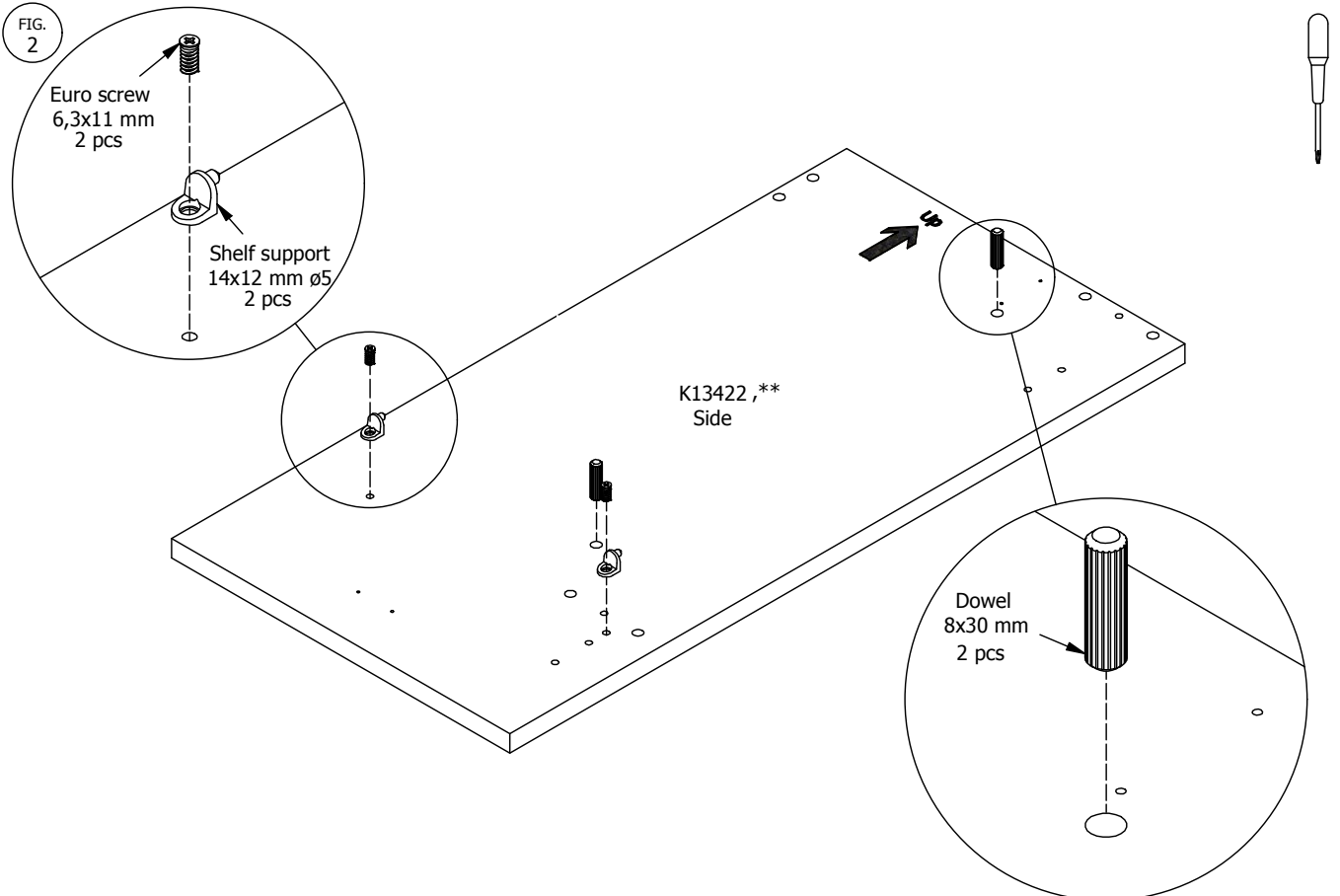
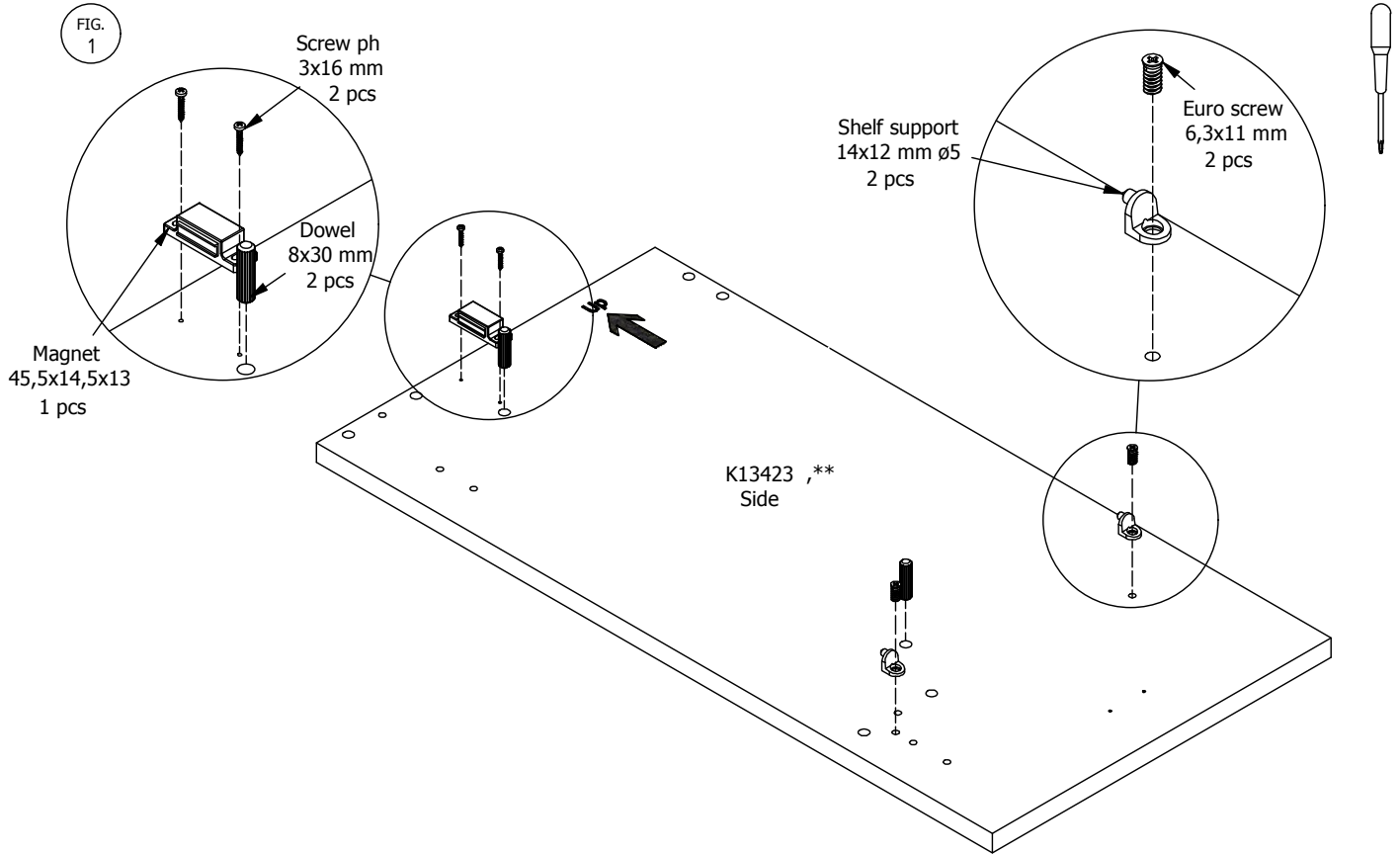


FIG. 3

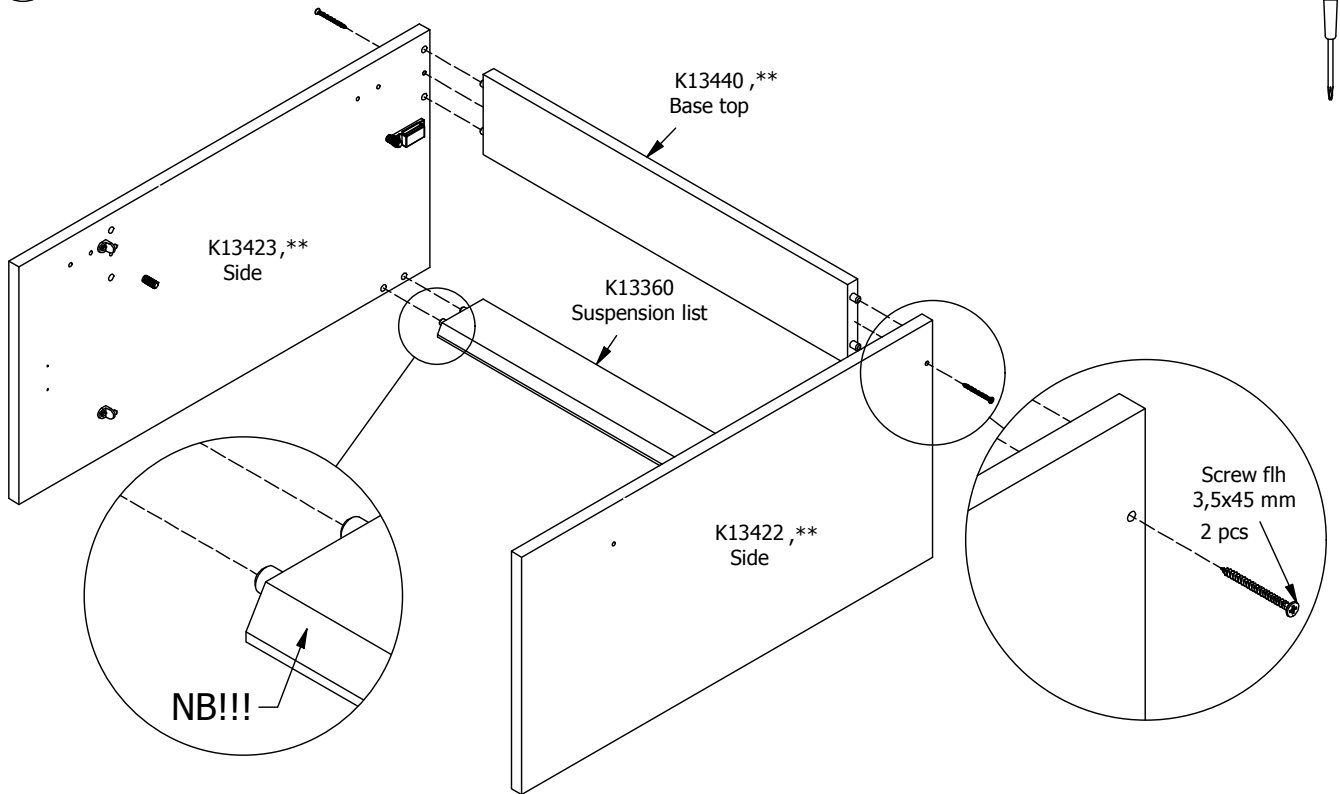


FIG. 4

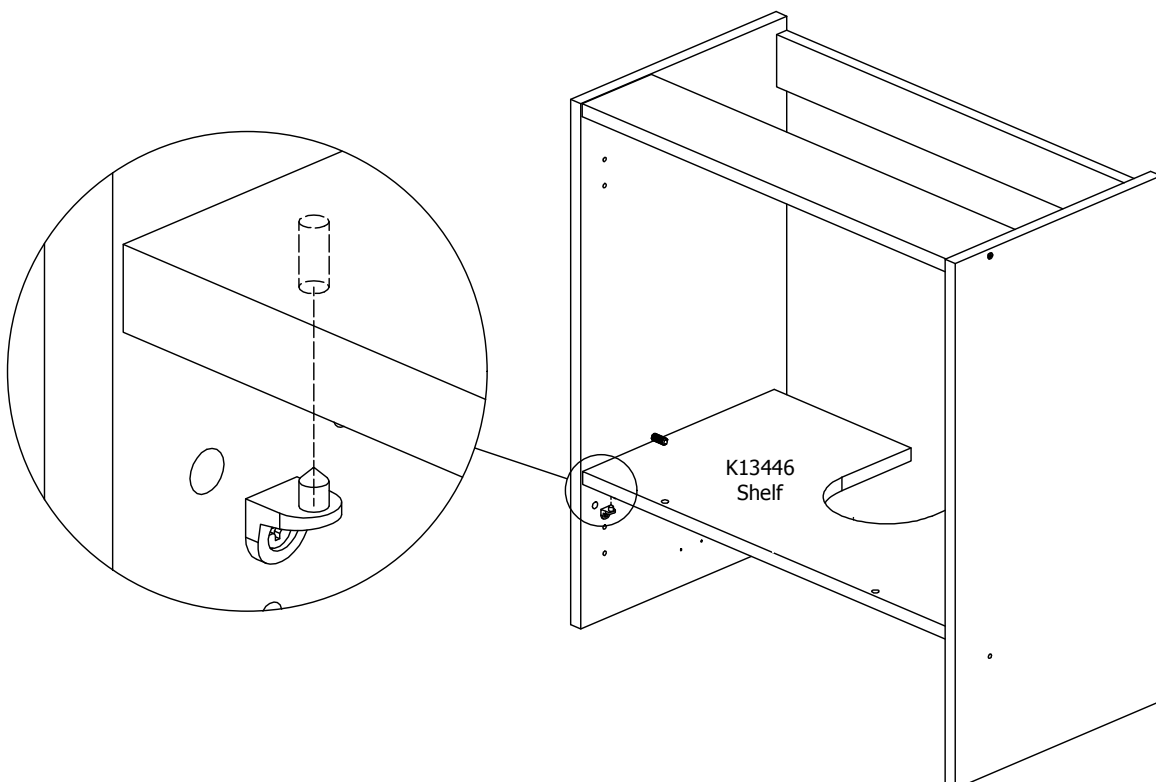


FIG. 5

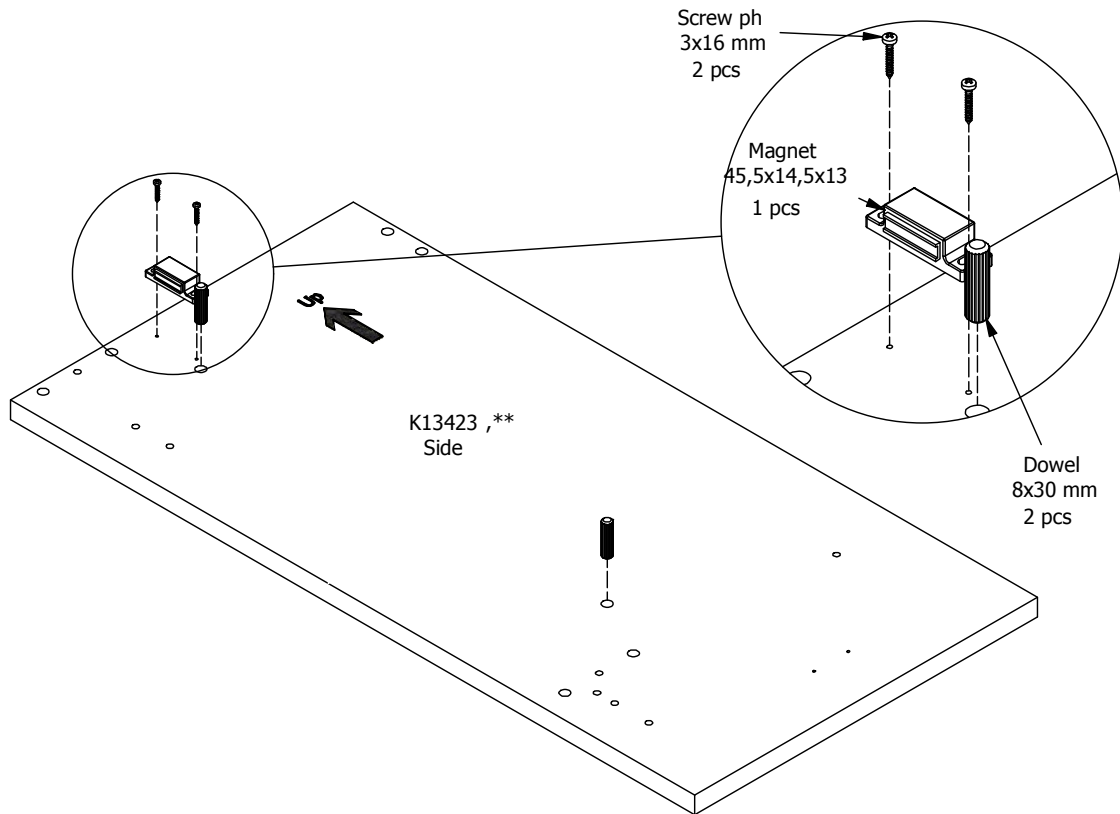


FIG. 6

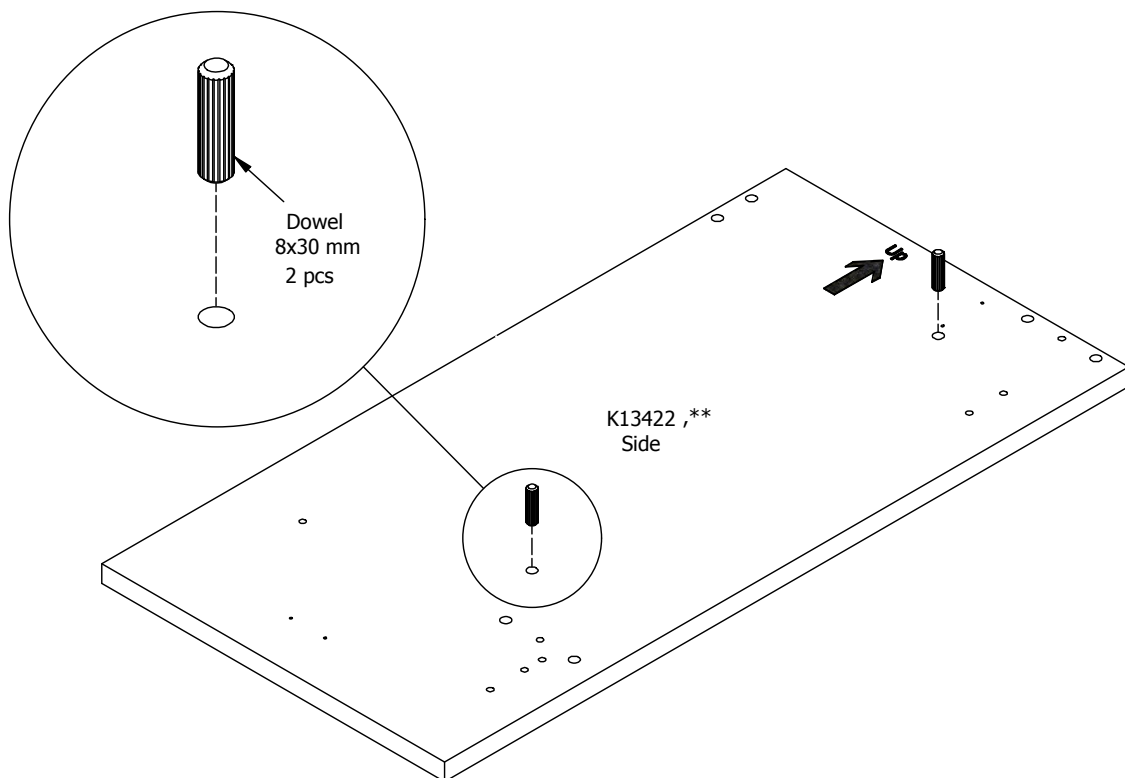


FIG. 7

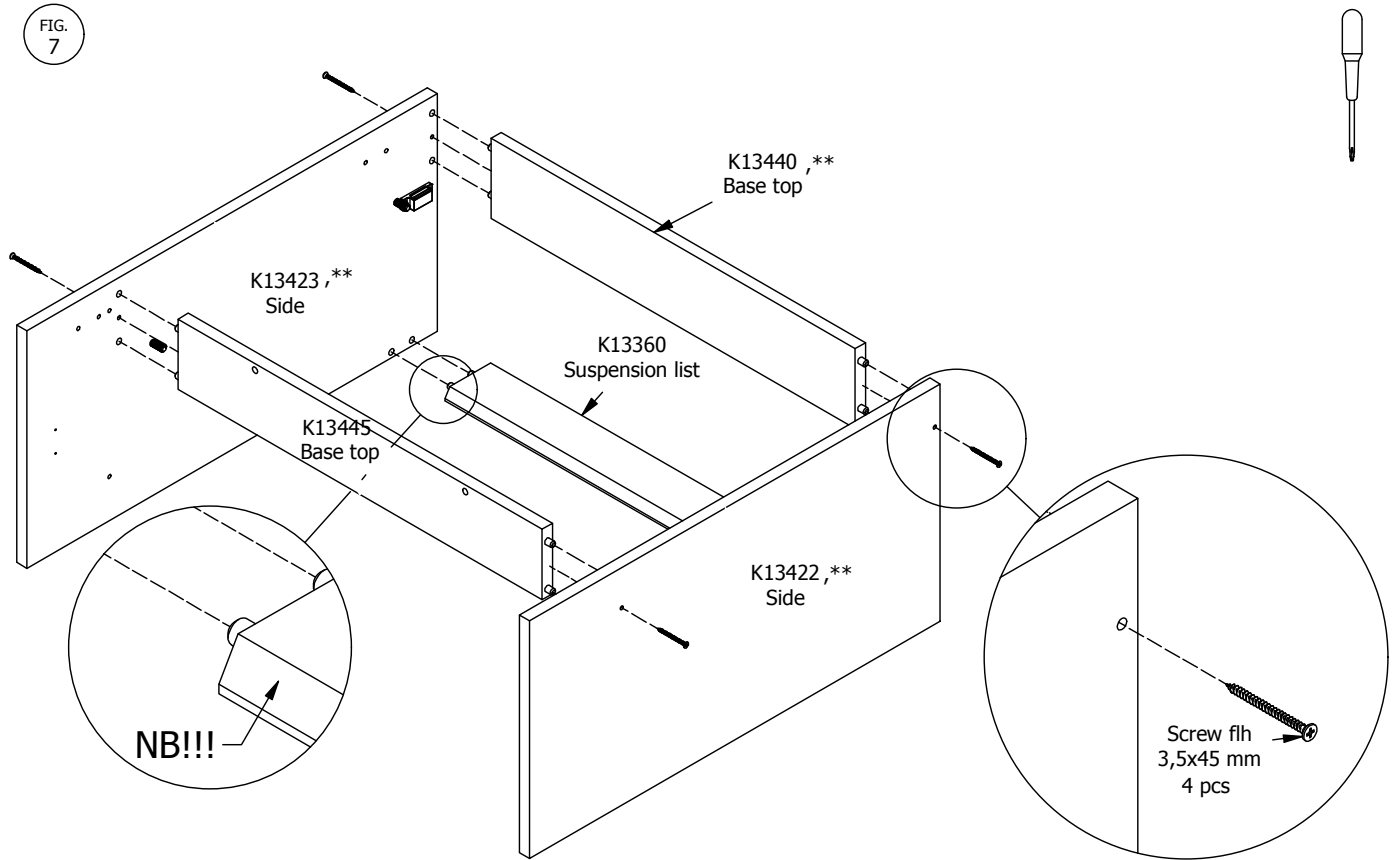


FIG. 8

Method 1 and 2

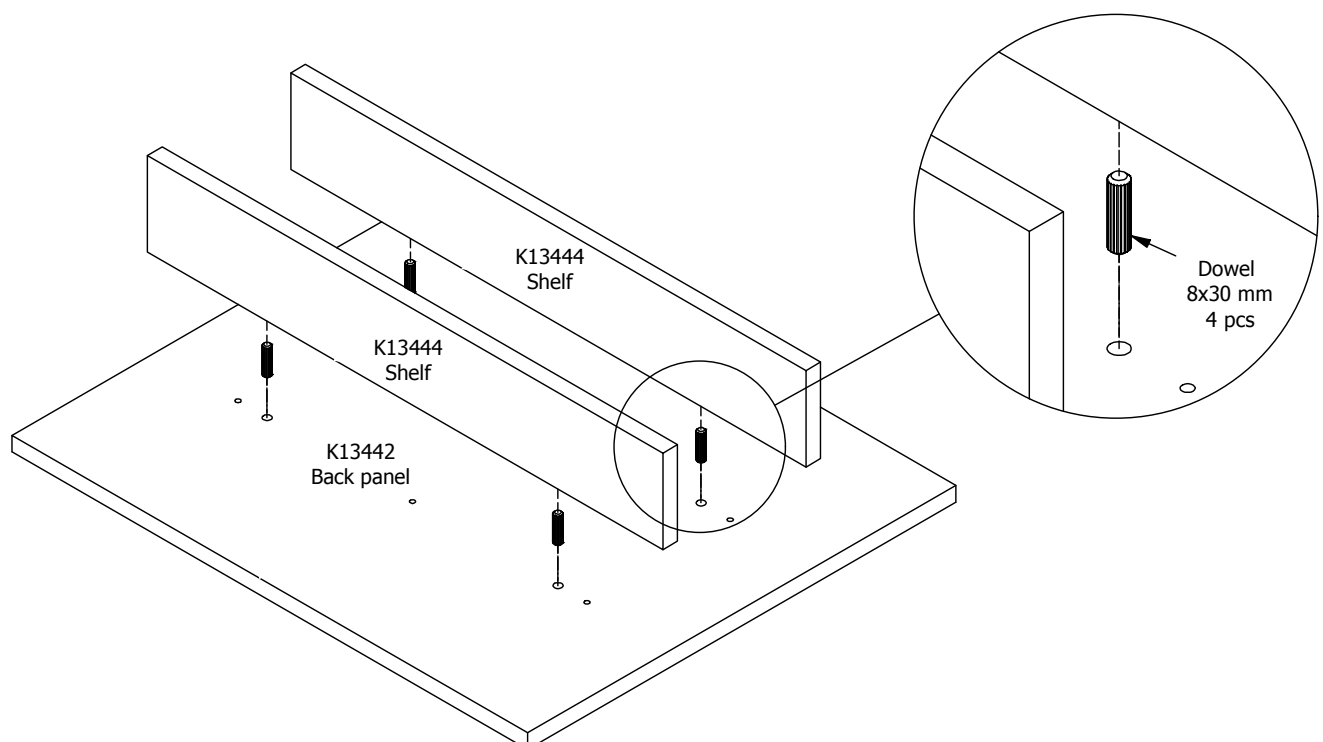


FIG. 9

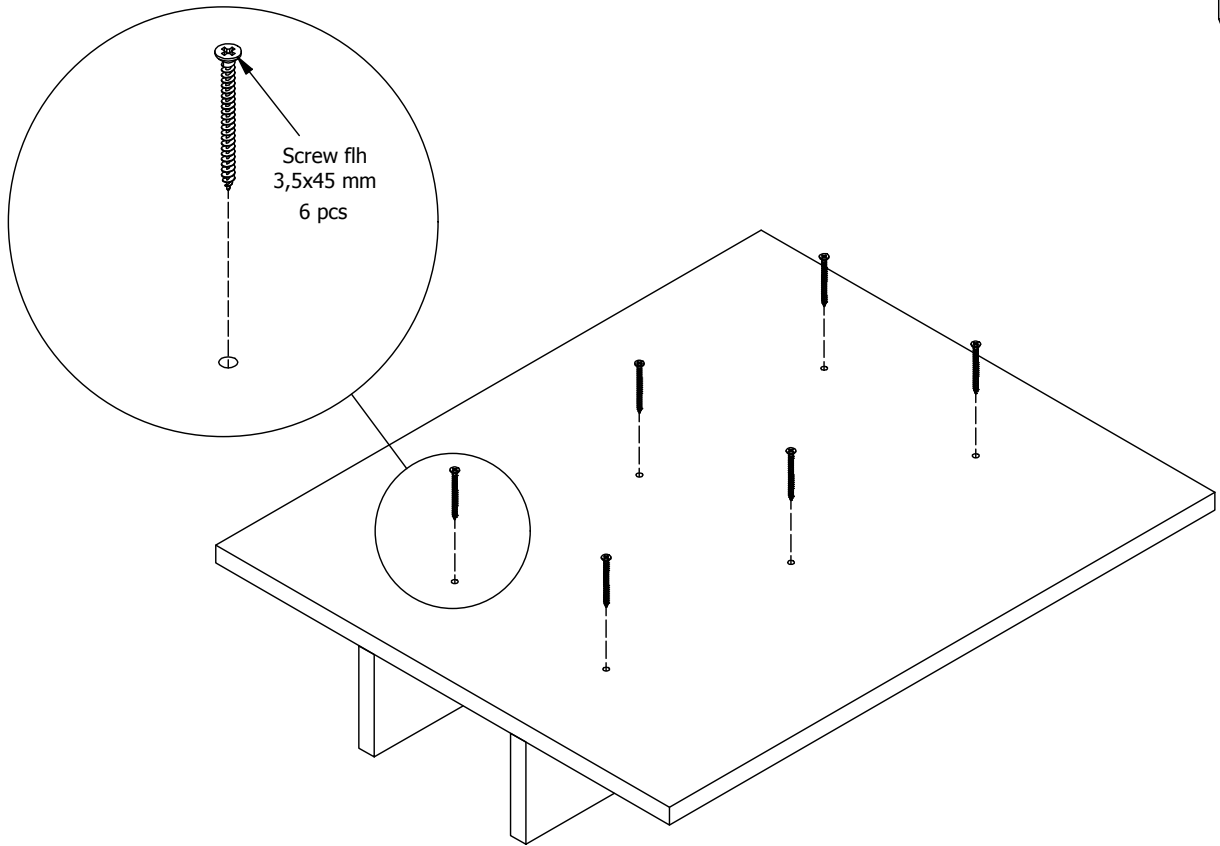


FIG. 10

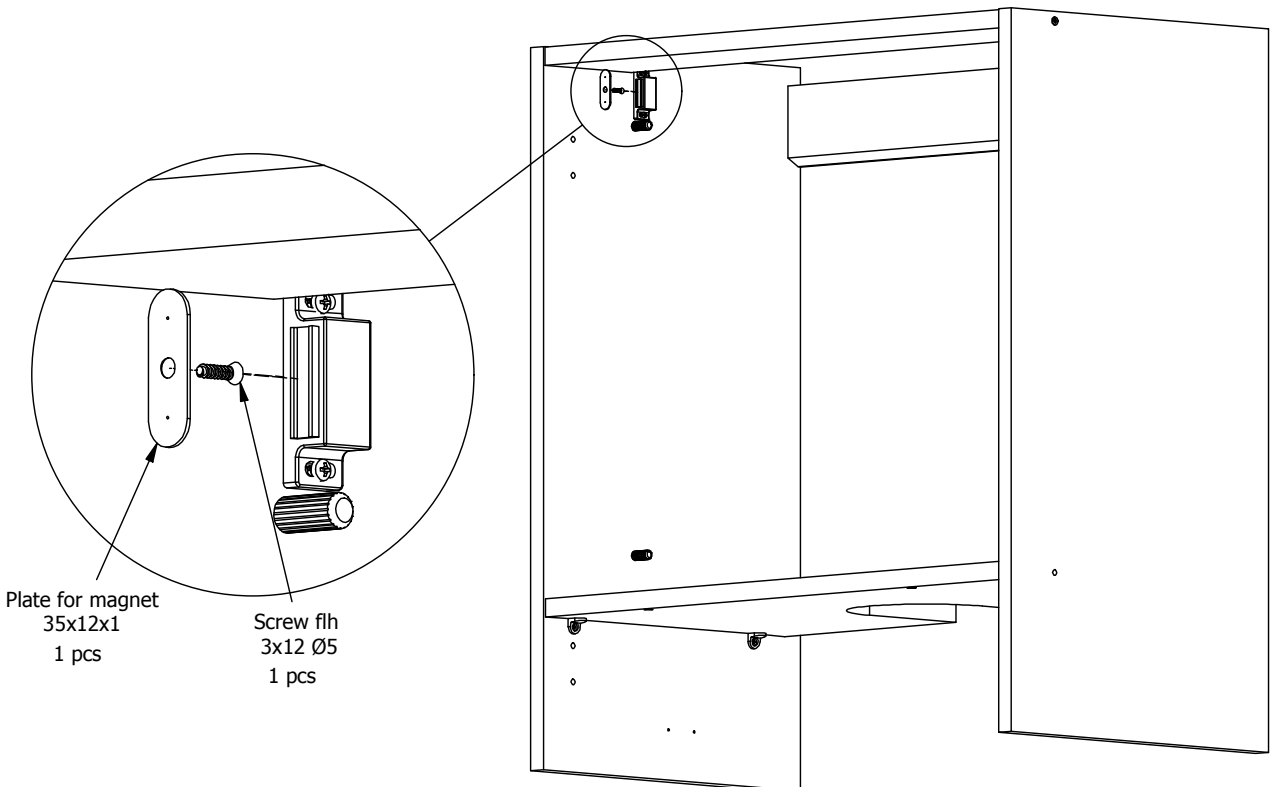


FIG. 11

Push, and the screw will make a mark on the backside, to use to mount the plate for magnet

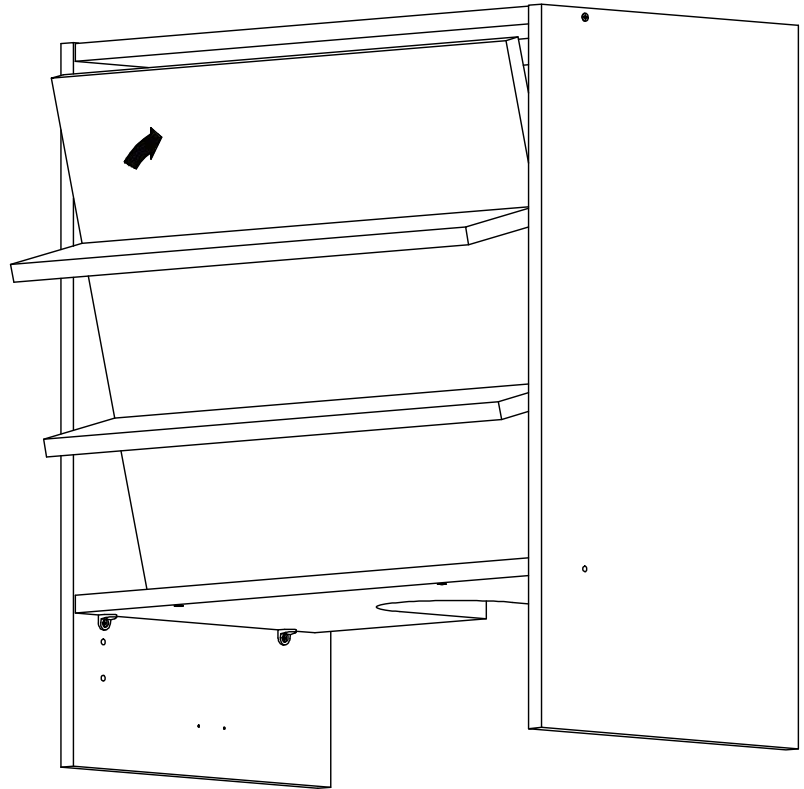


FIG. 12

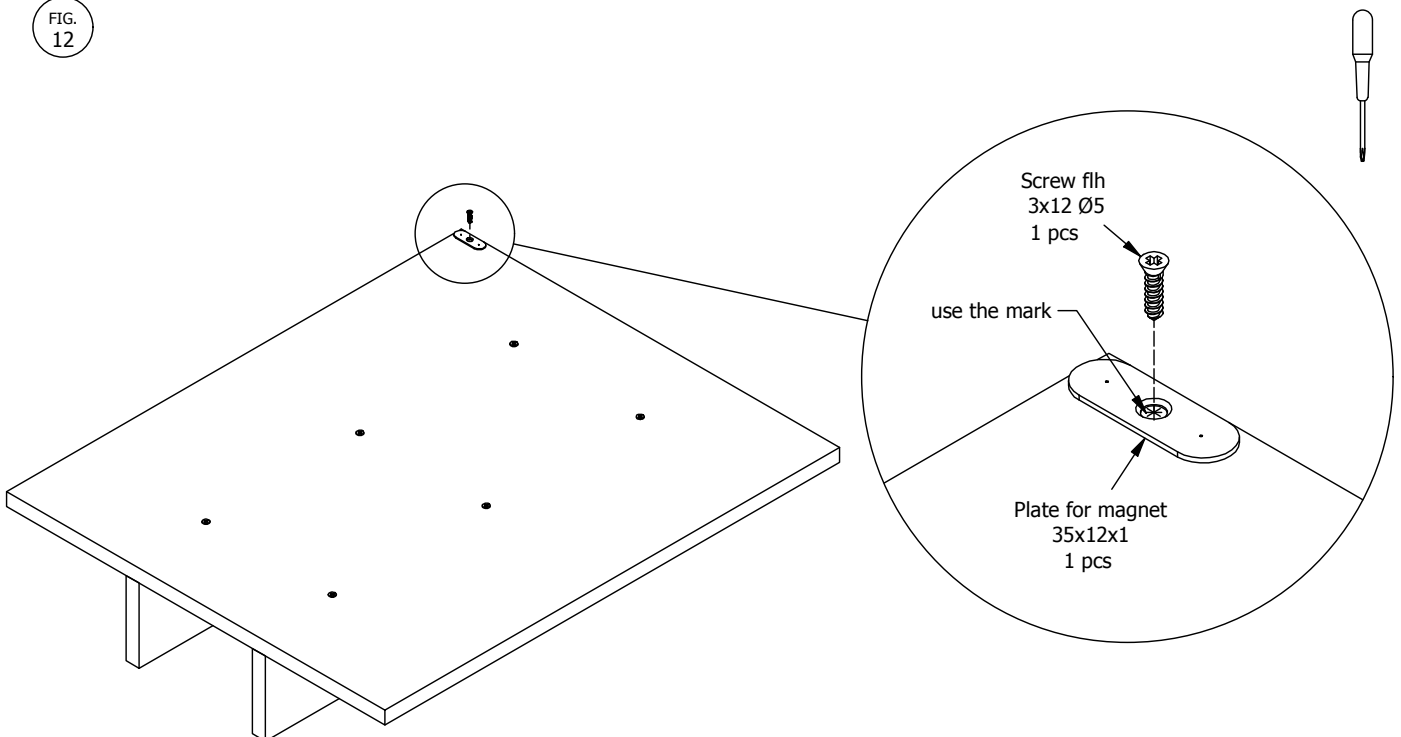




FIG. 13

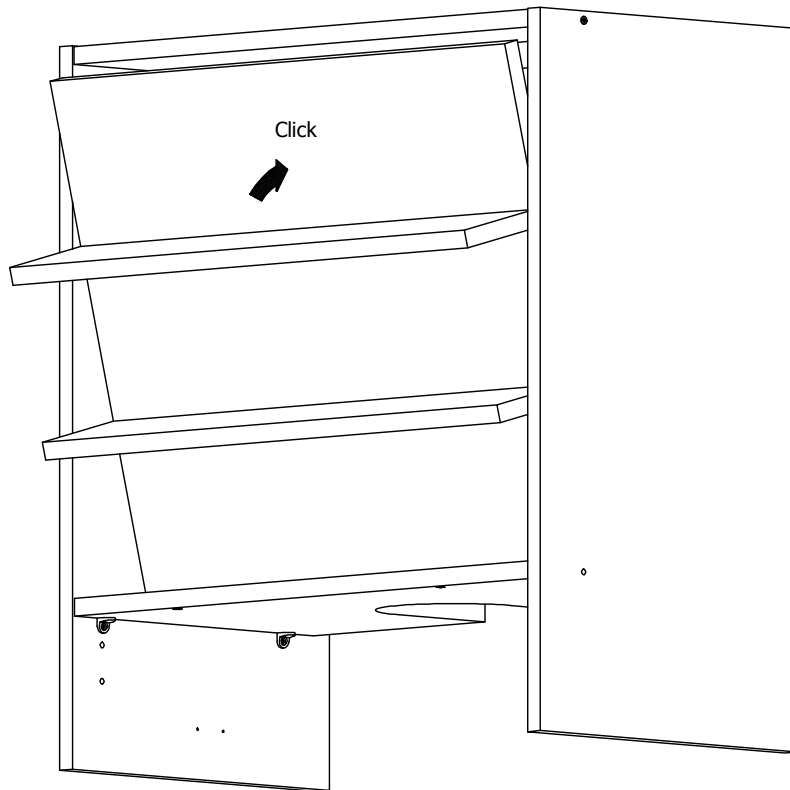


Fig 14

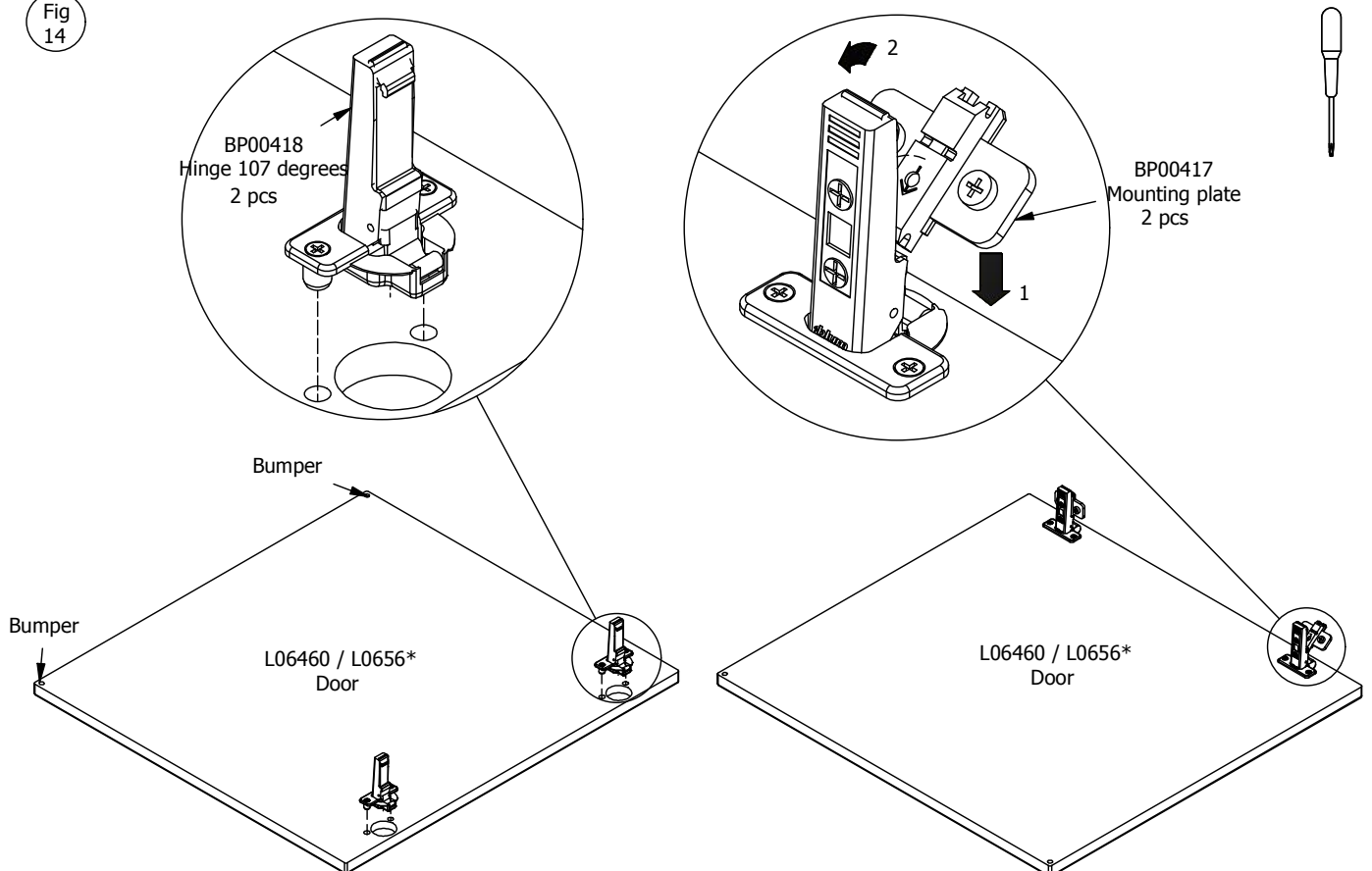


Fig 15

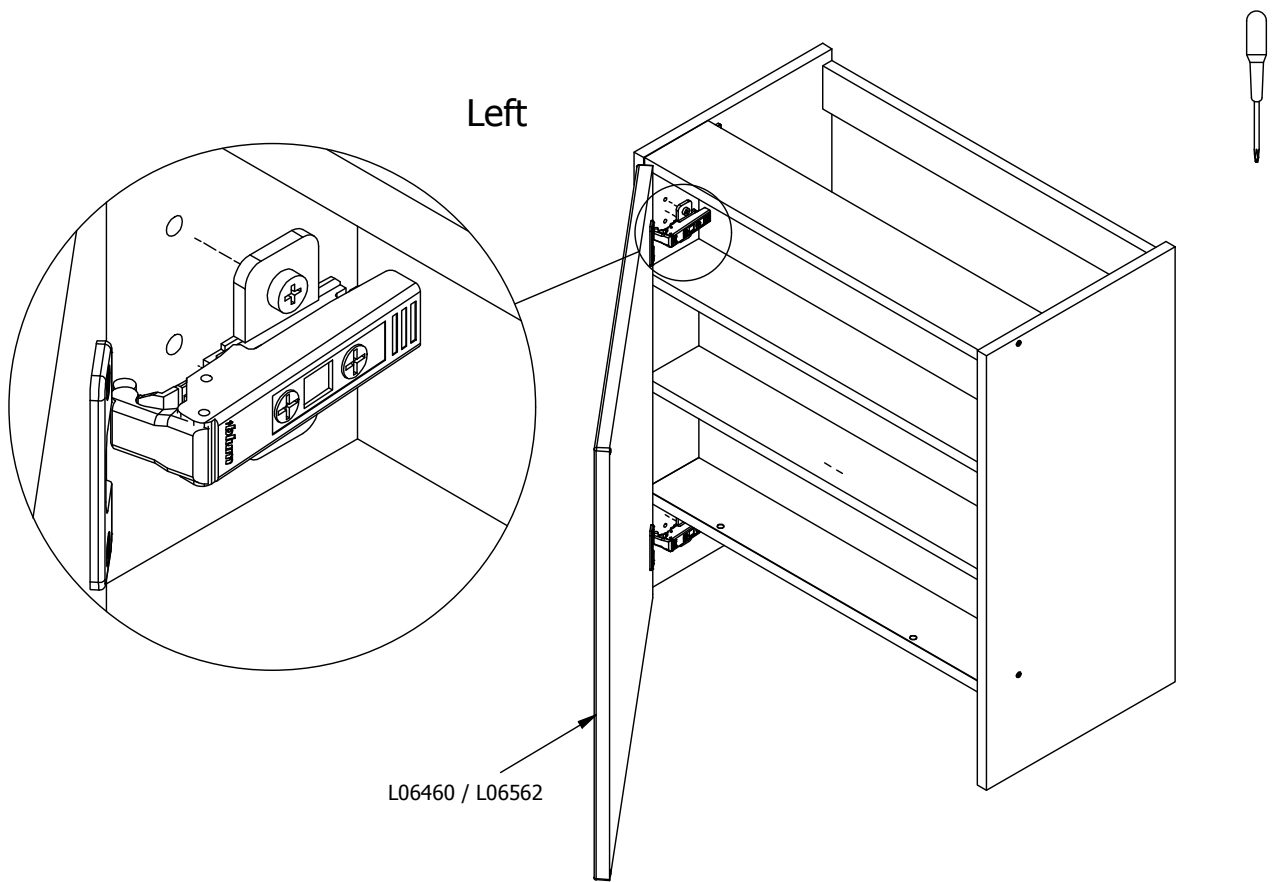


Fig 16

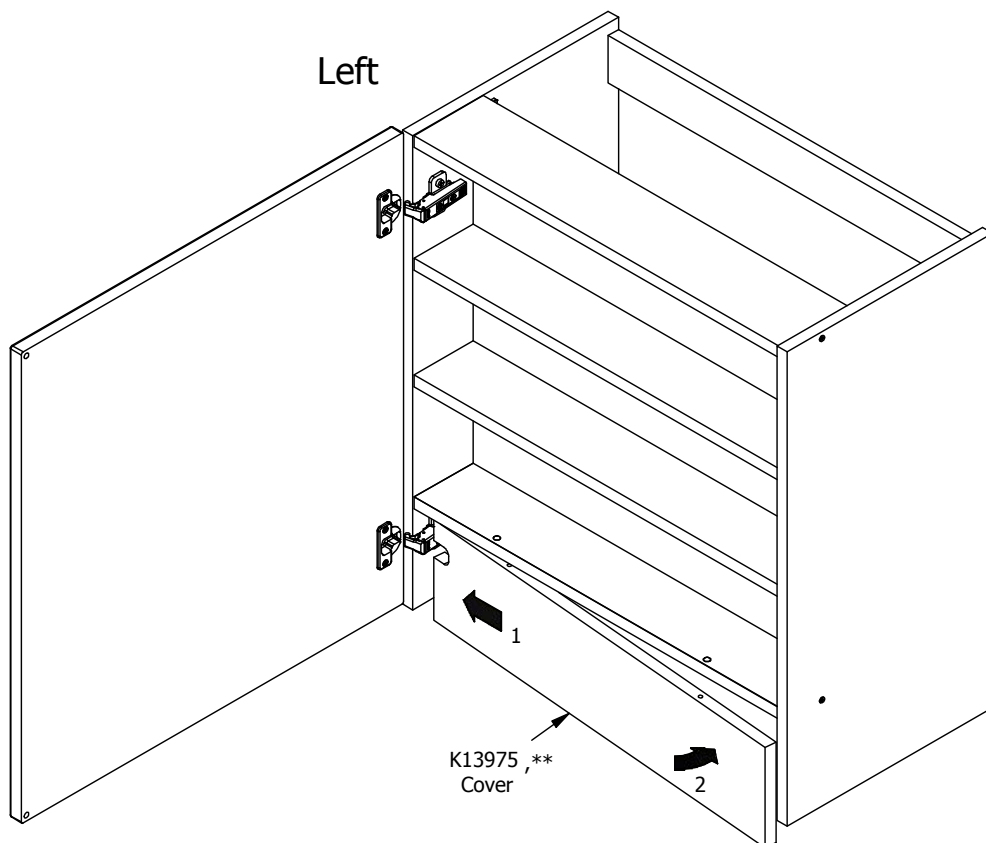


Fig 17

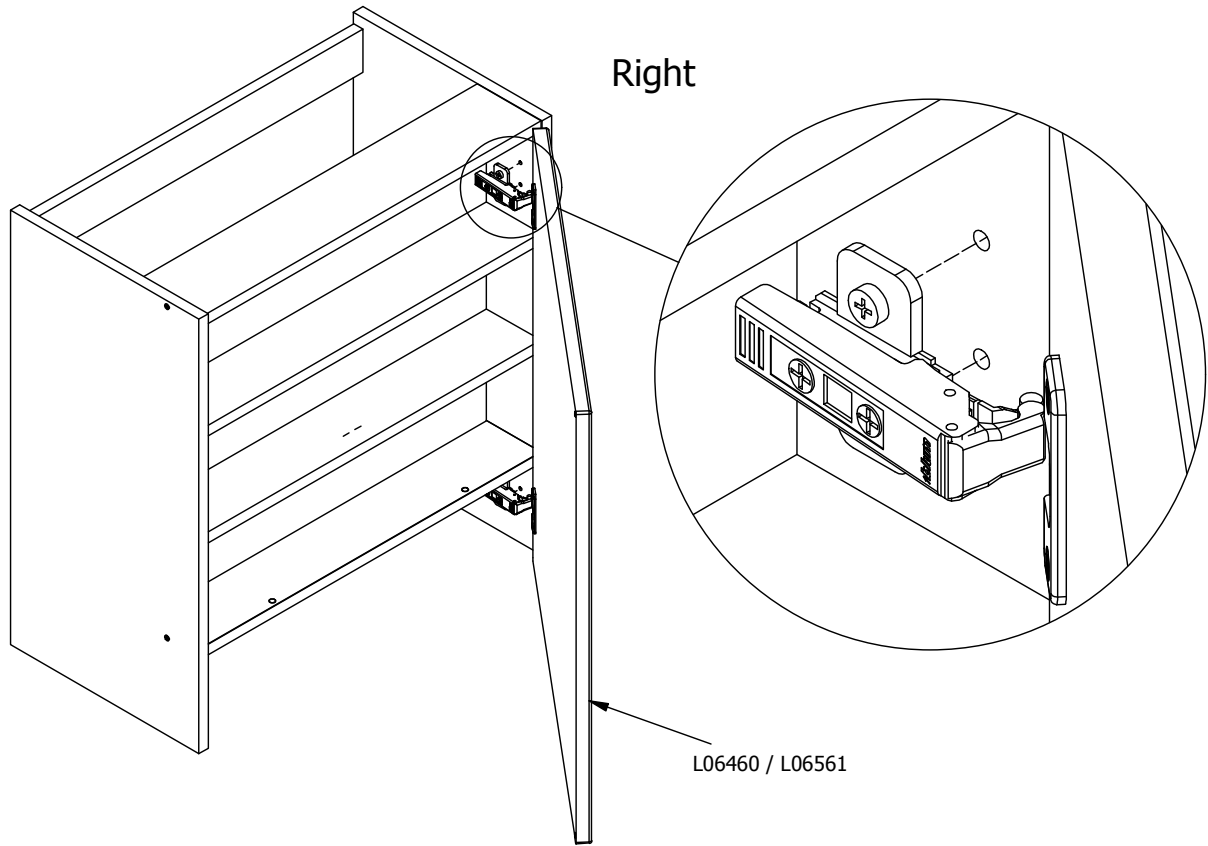


Fig 18

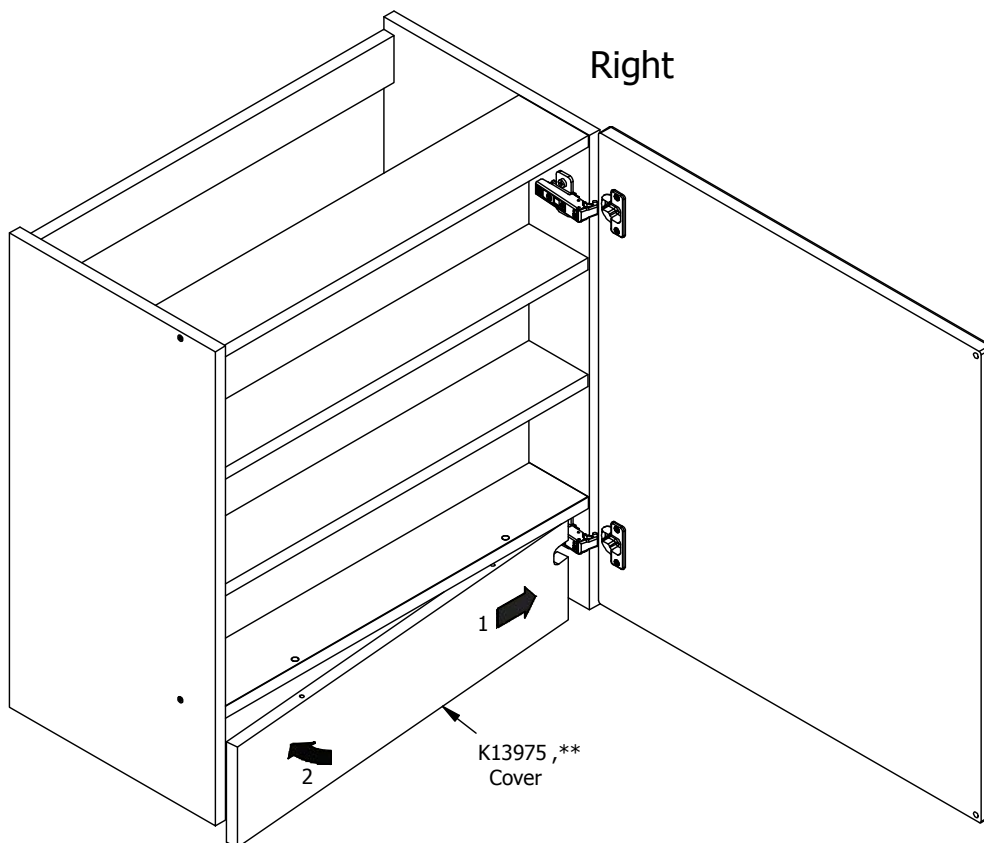
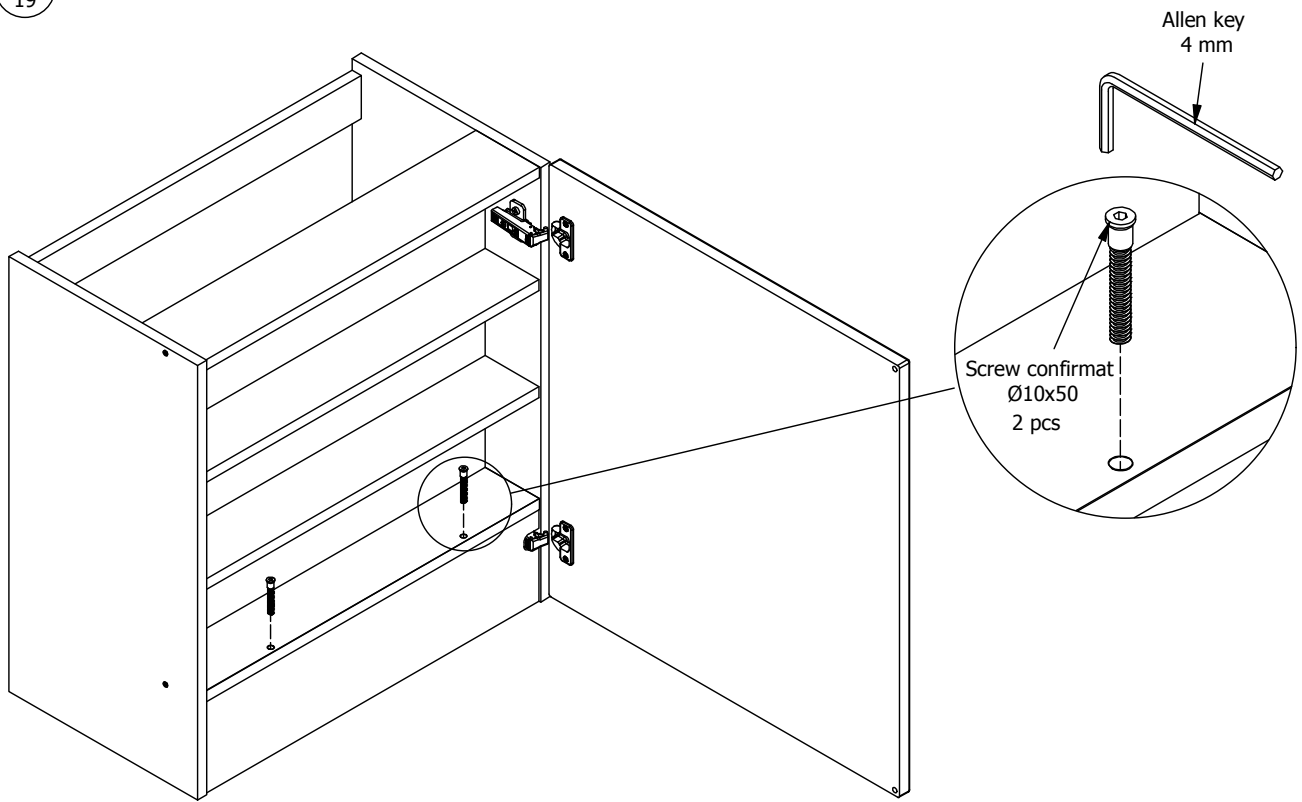


Fig 19



## Adjustment

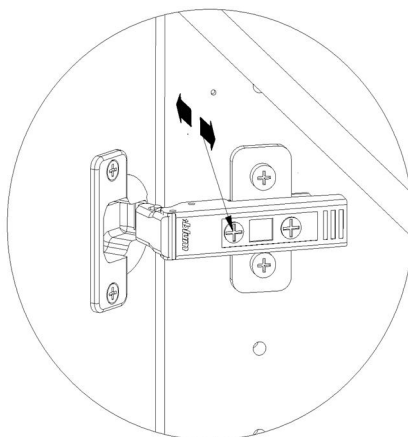
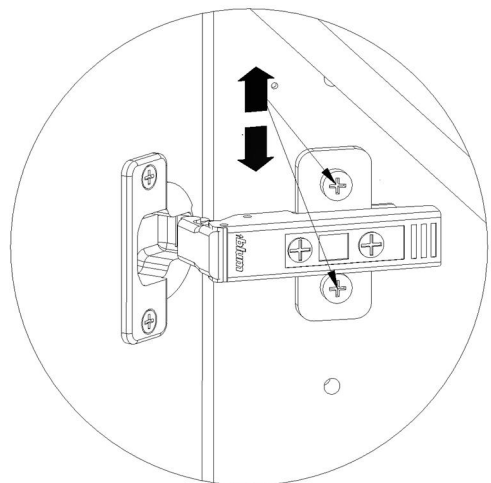
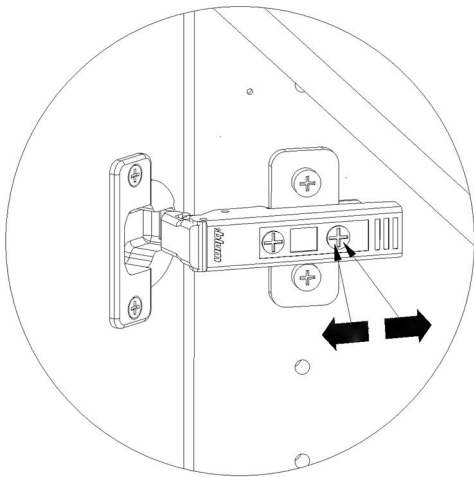
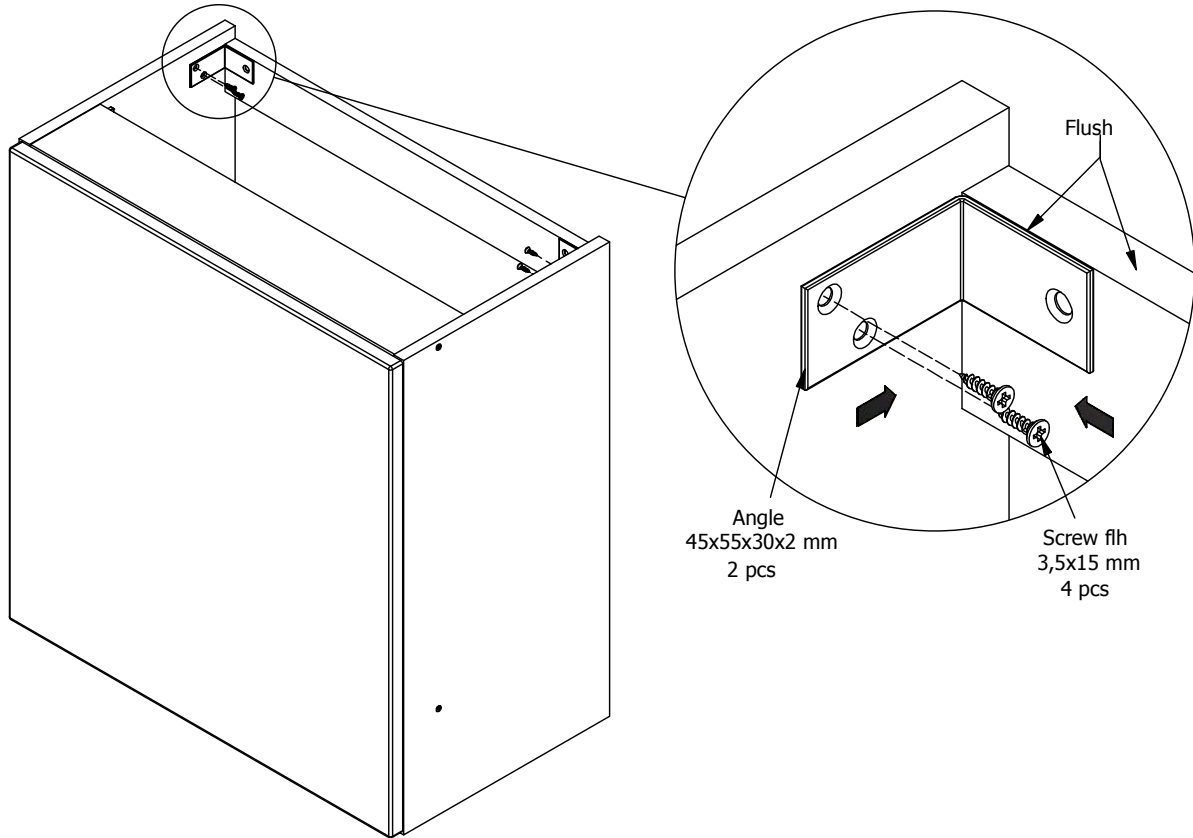


Fig 20



Installation, please read instruction BP11400

