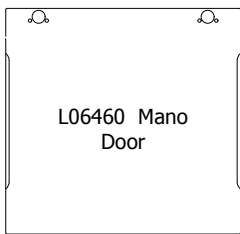
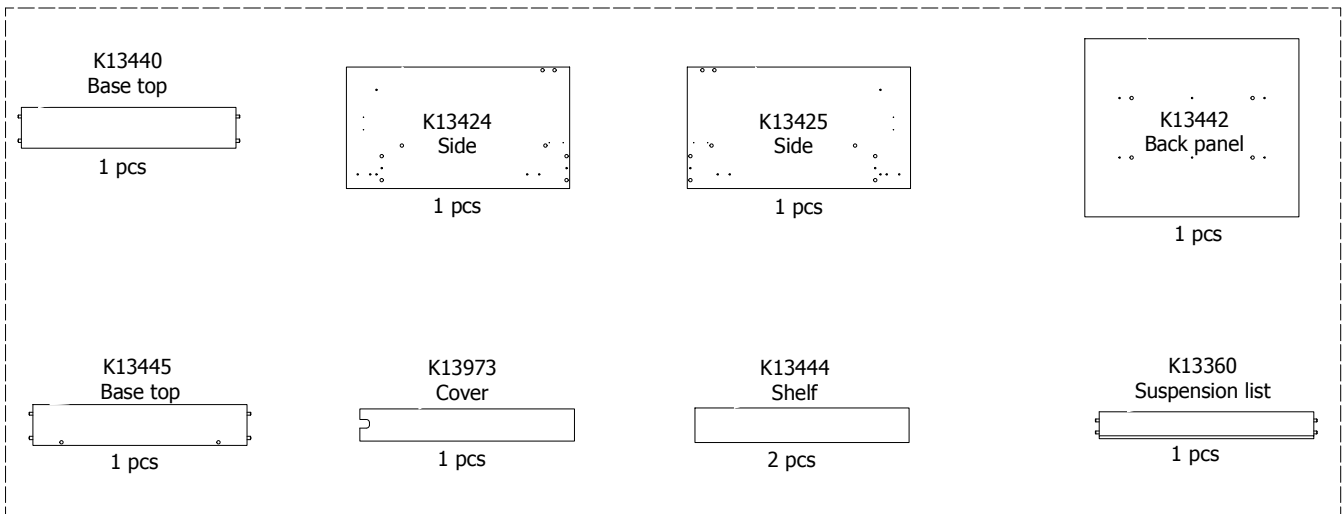


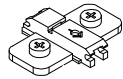
kvik

MC659

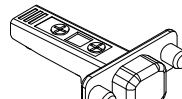
DCS64,***,***



1 pcs



Mounting plate
2 pcs



Hinge
107 degrees
2 pcs

BP00029

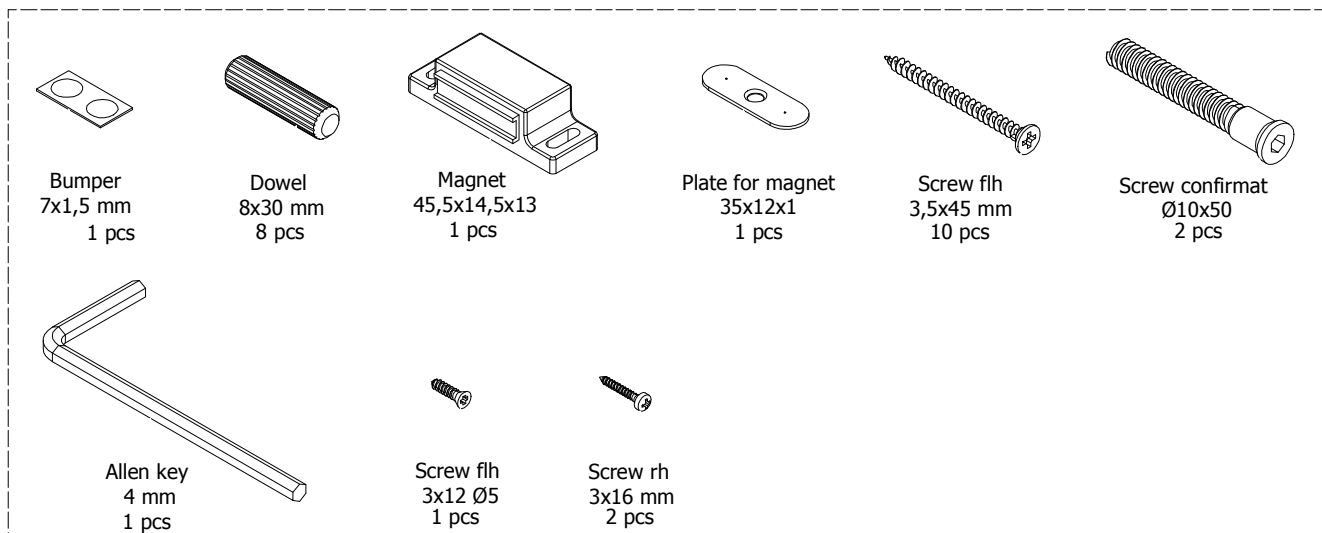


FIG. 1

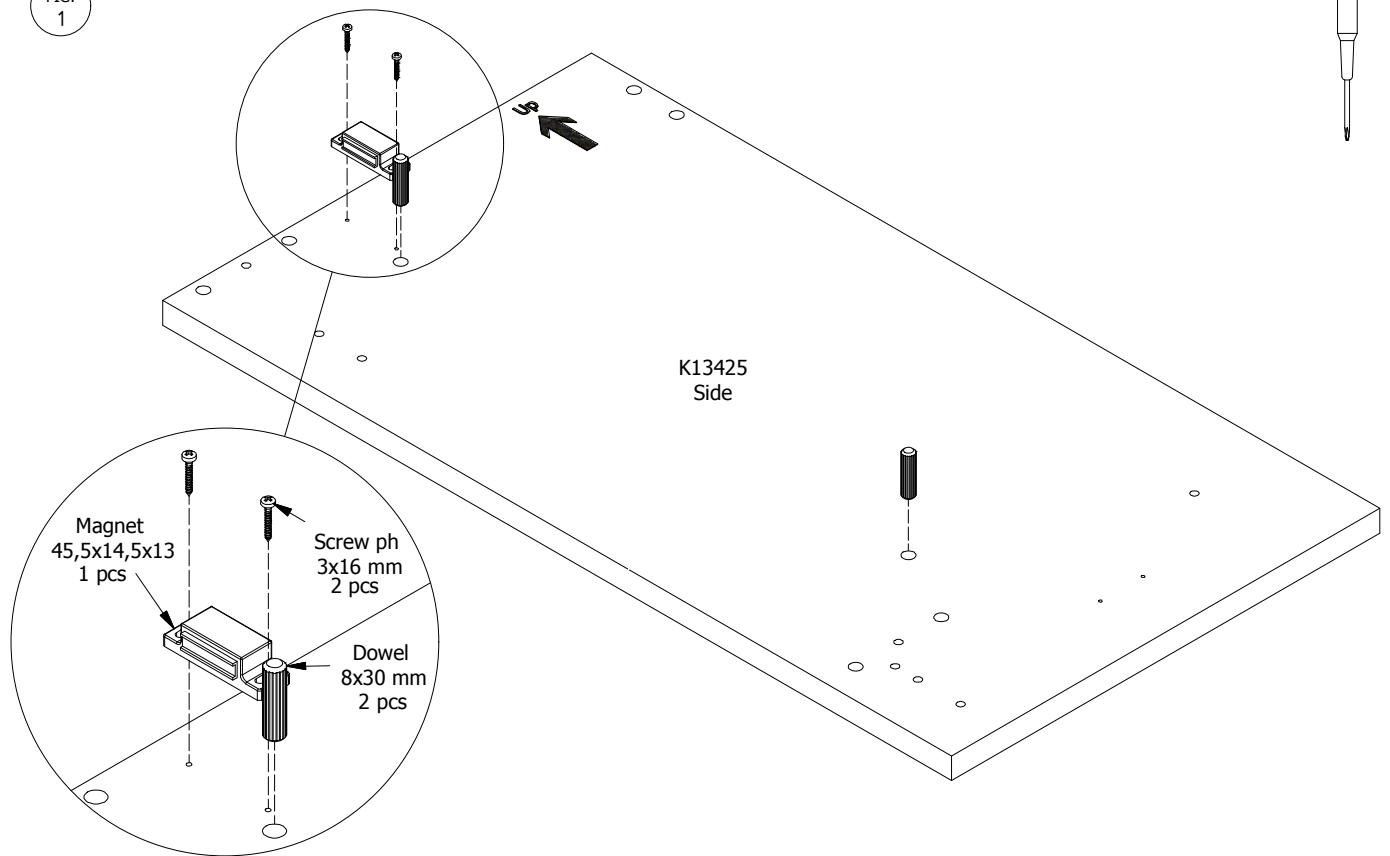


FIG. 2

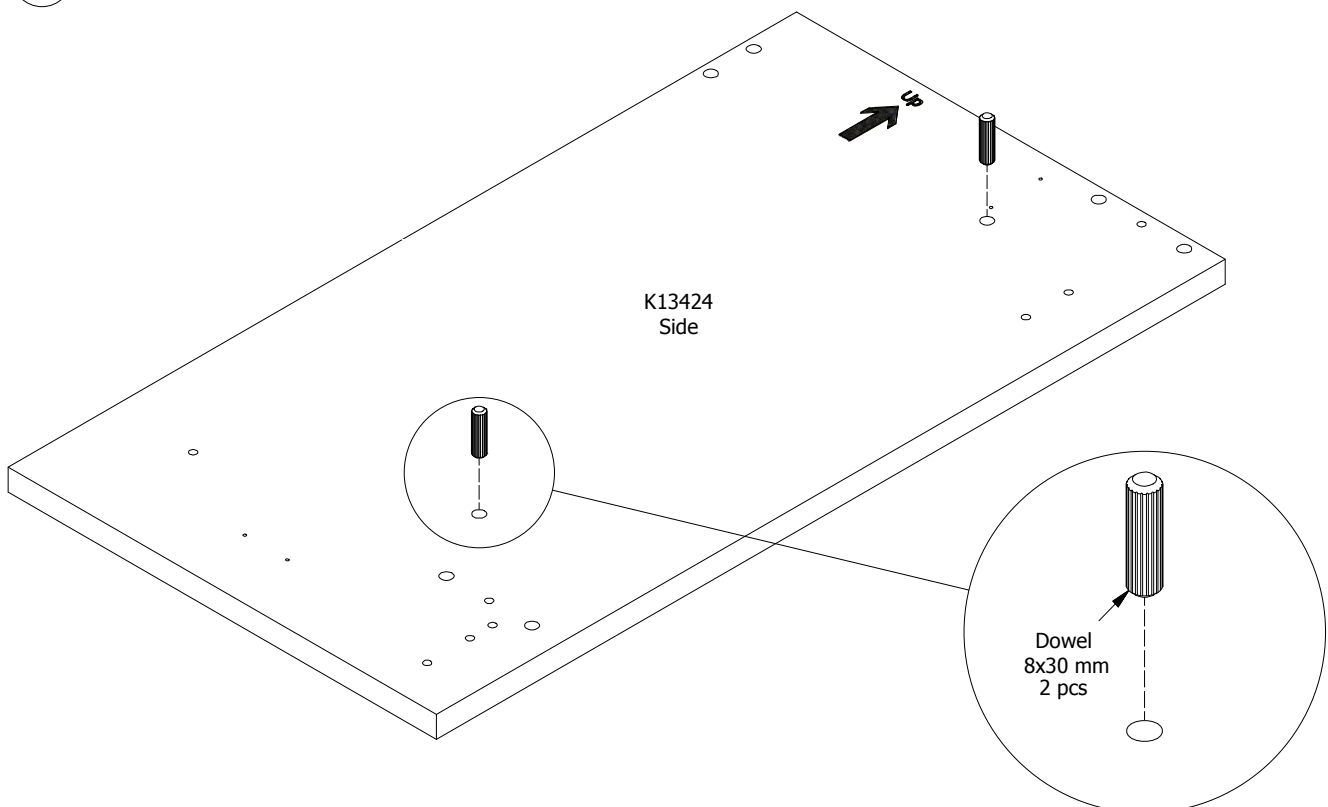


FIG. 3

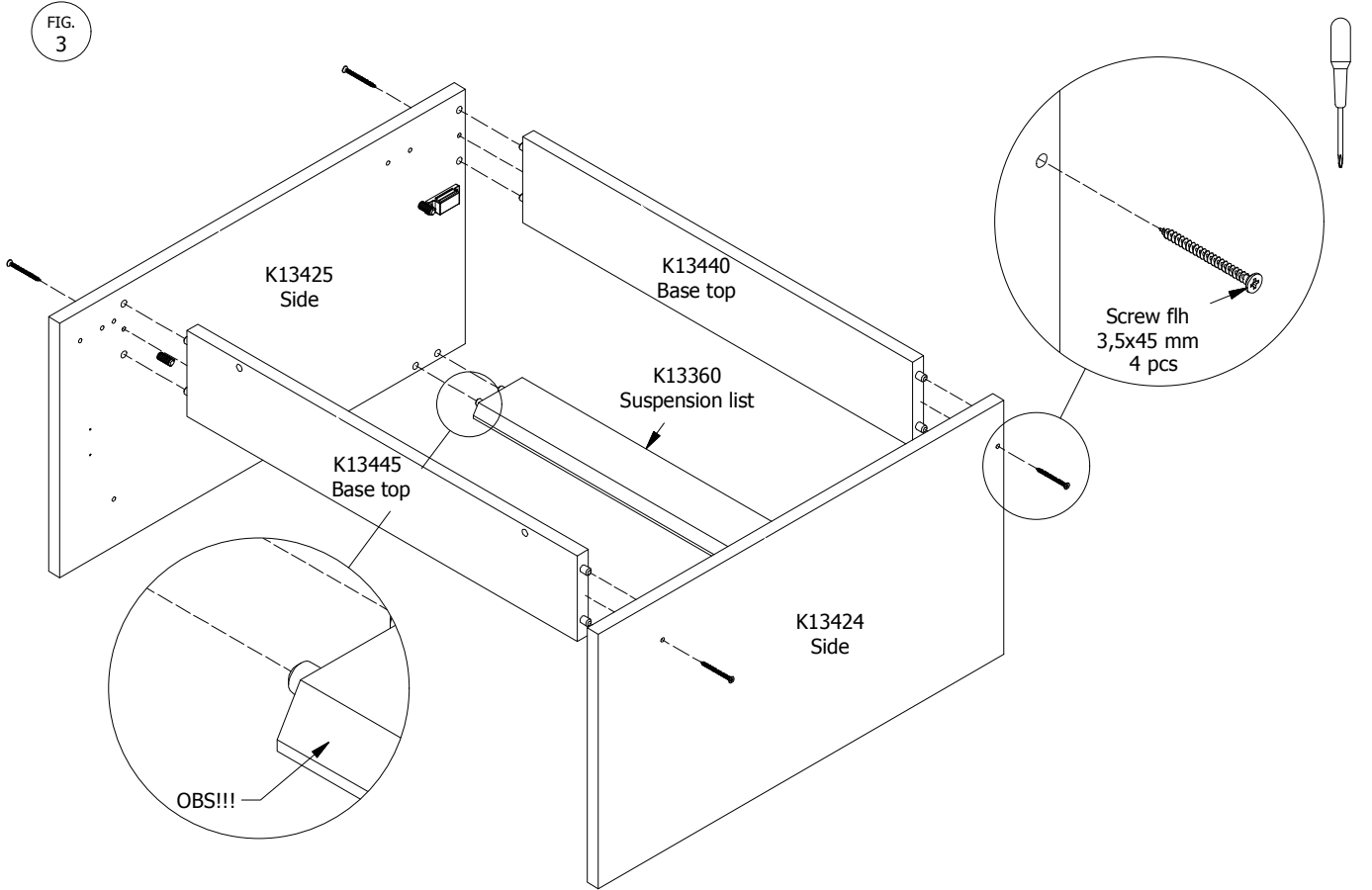


FIG. 4

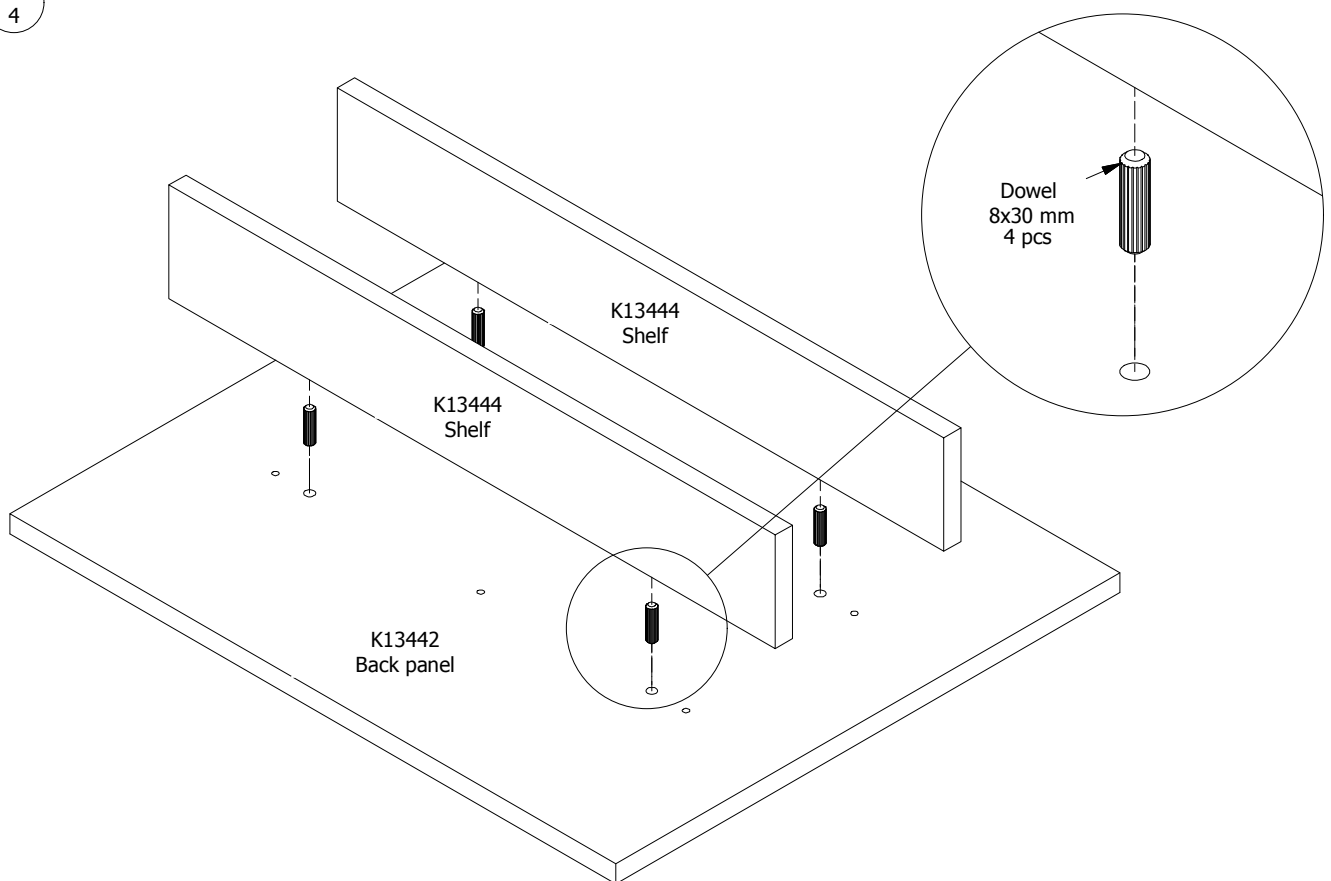


FIG. 5

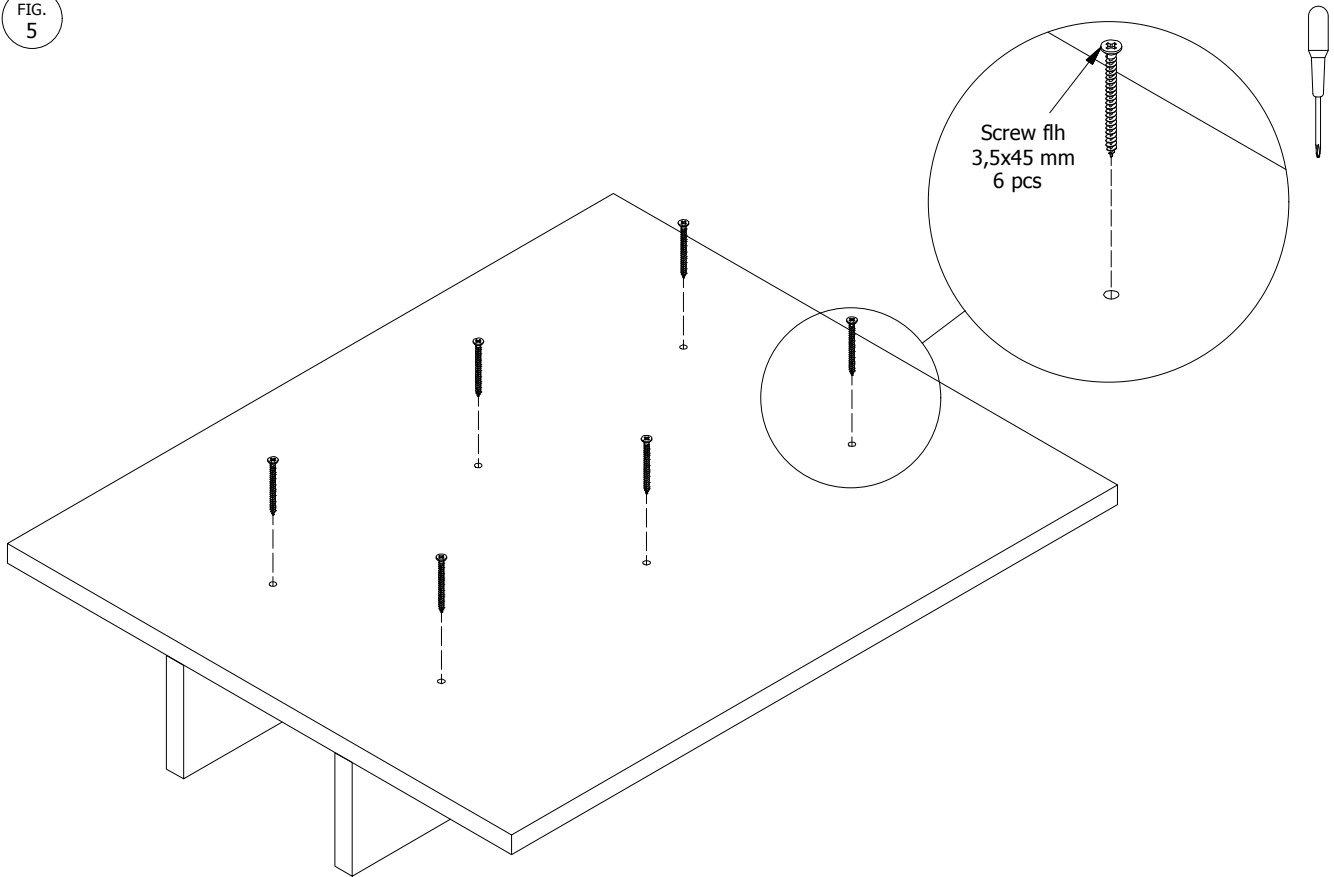


FIG. 6

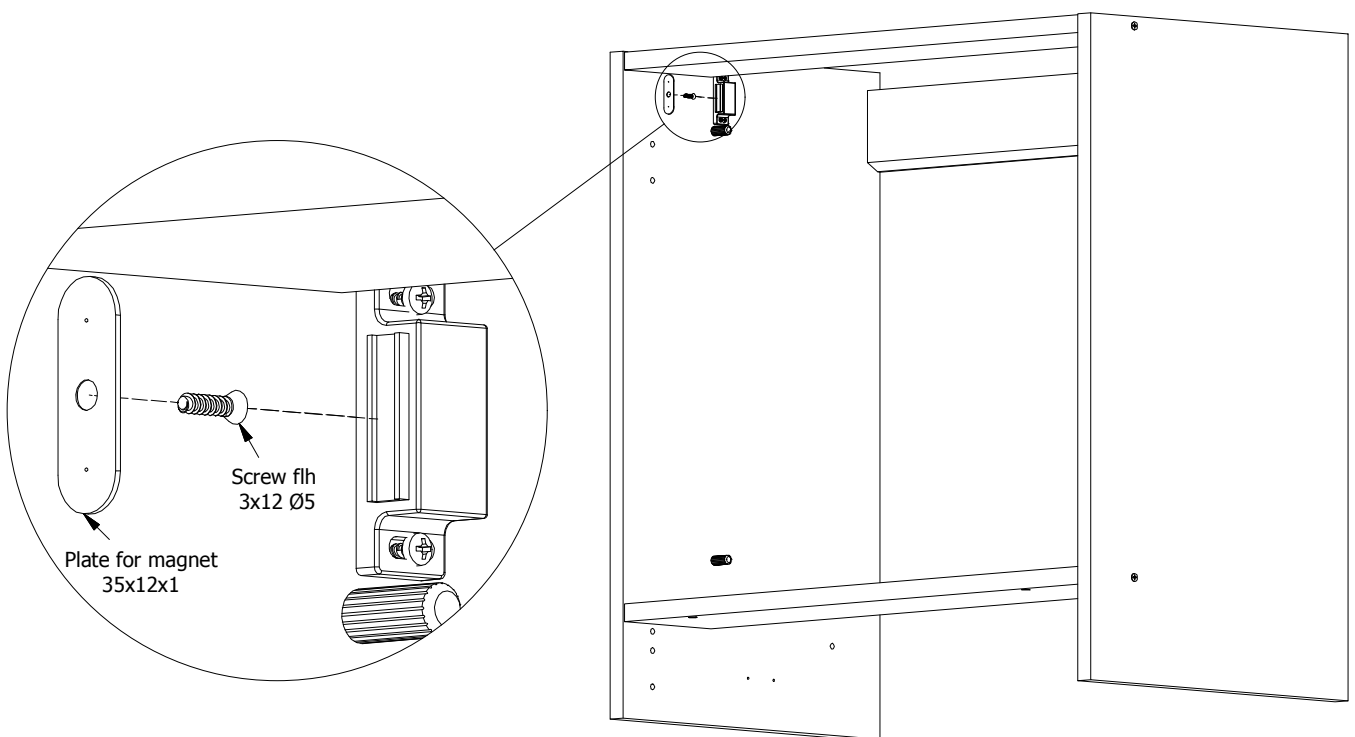


FIG. 7

Push, and the screw will make a mark on the backside, to use to mount the plate for magnet

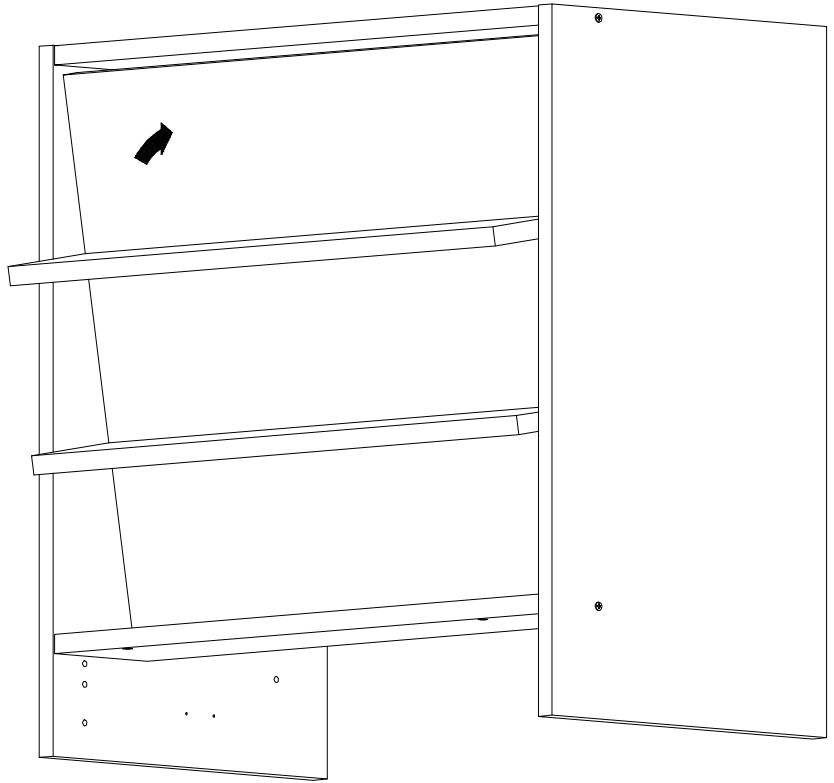


FIG. 8

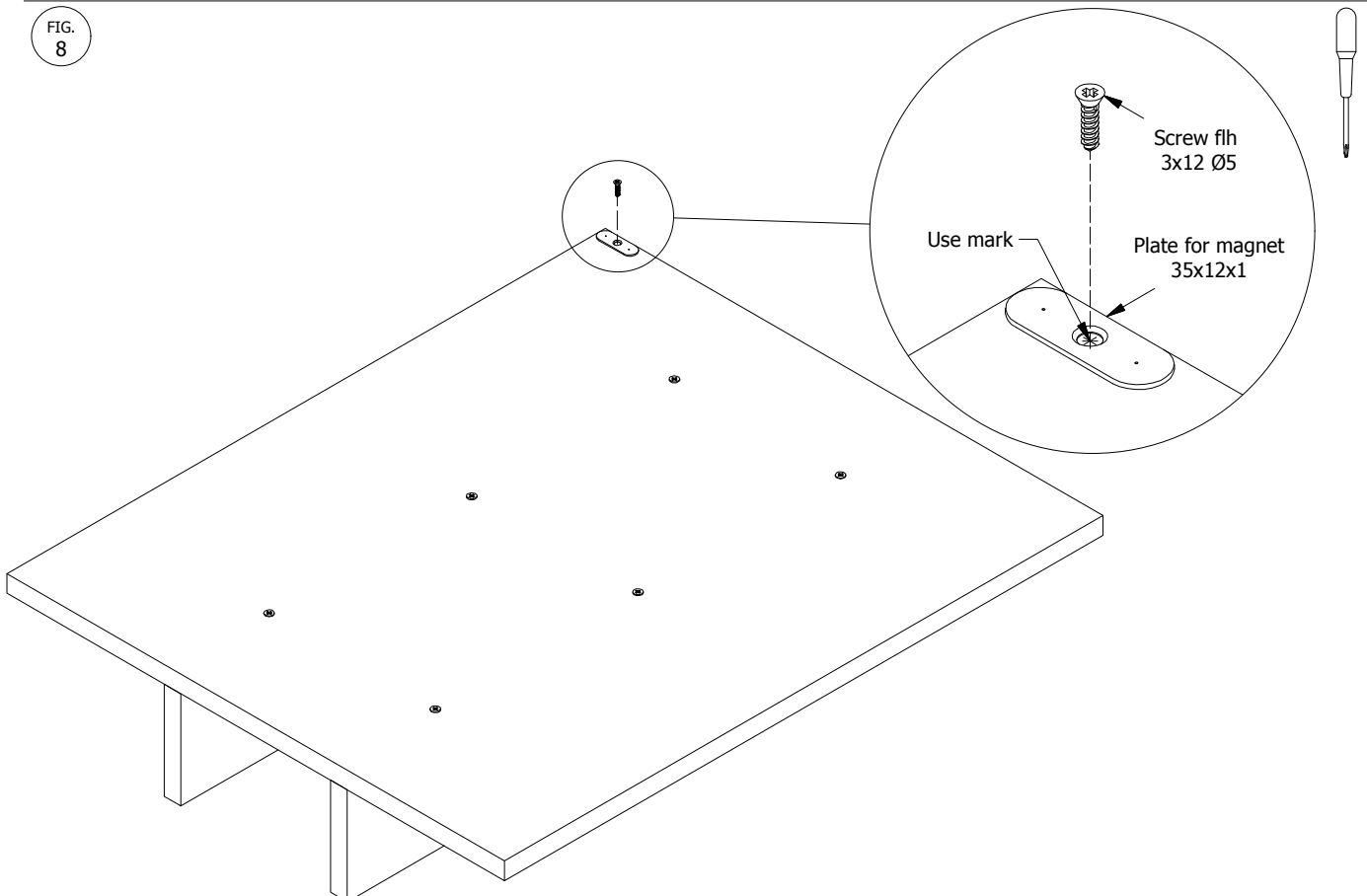


FIG. 9

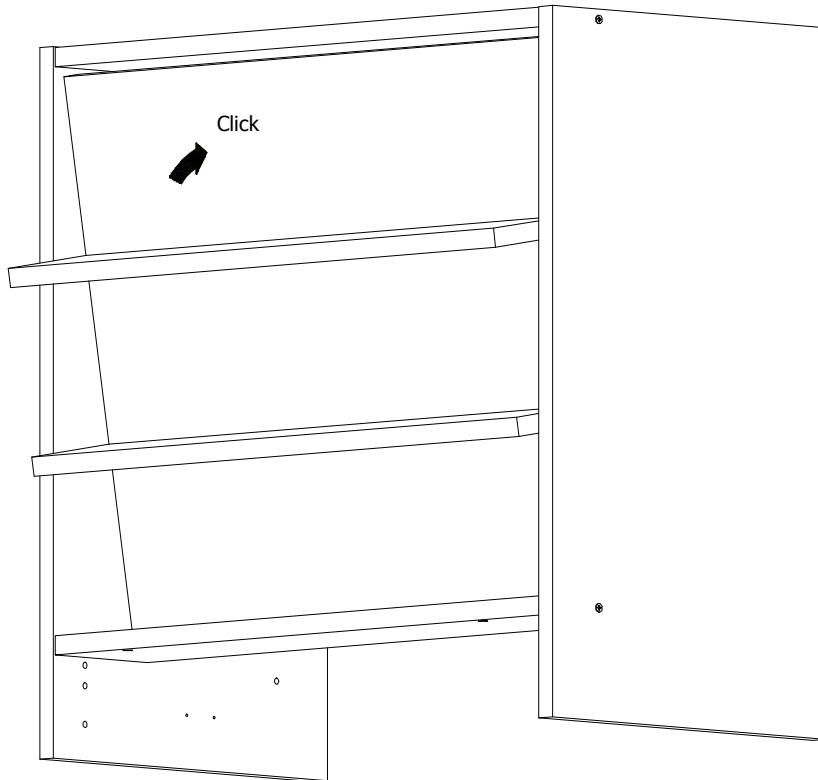


FIG. 10

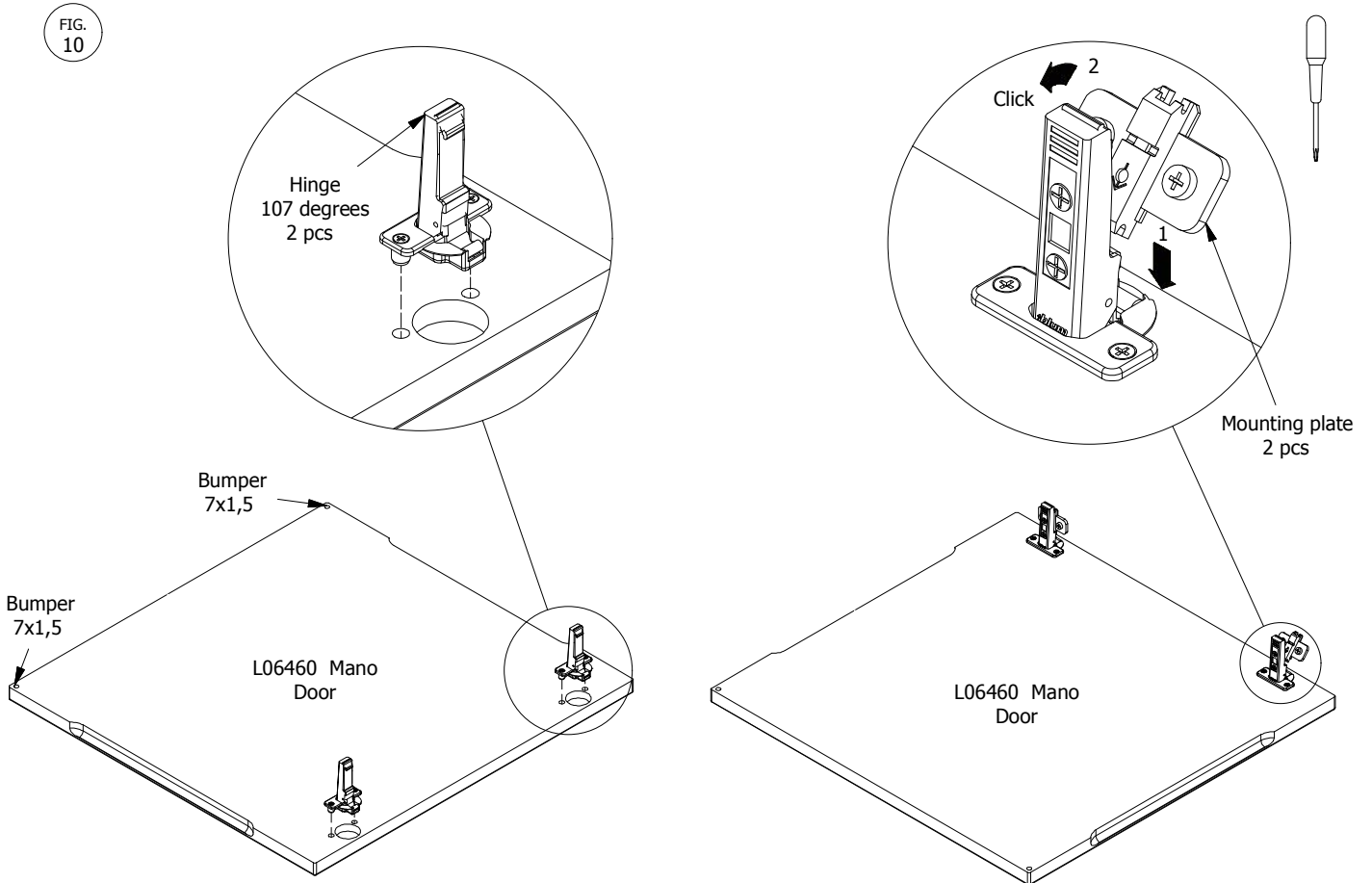


FIG. 11

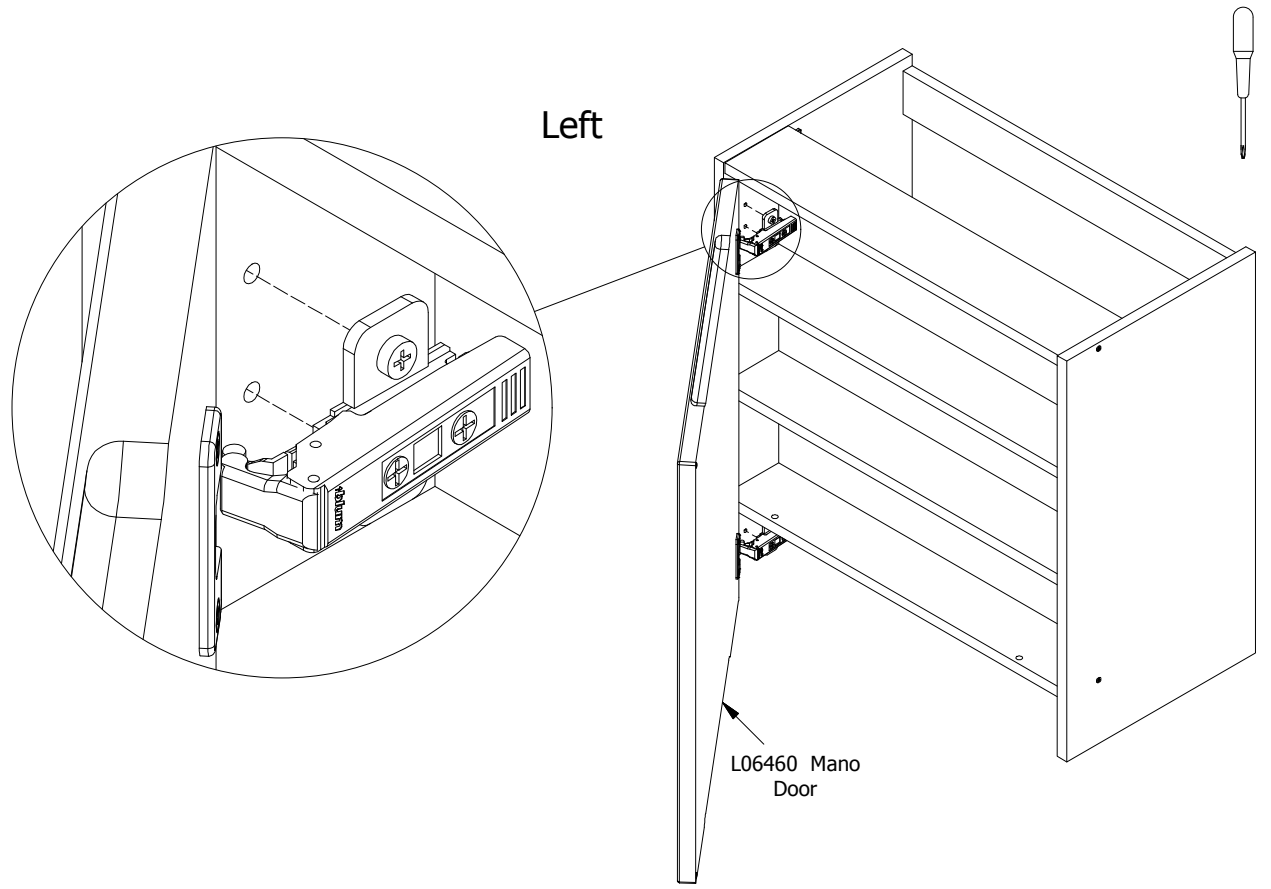


FIG. 12

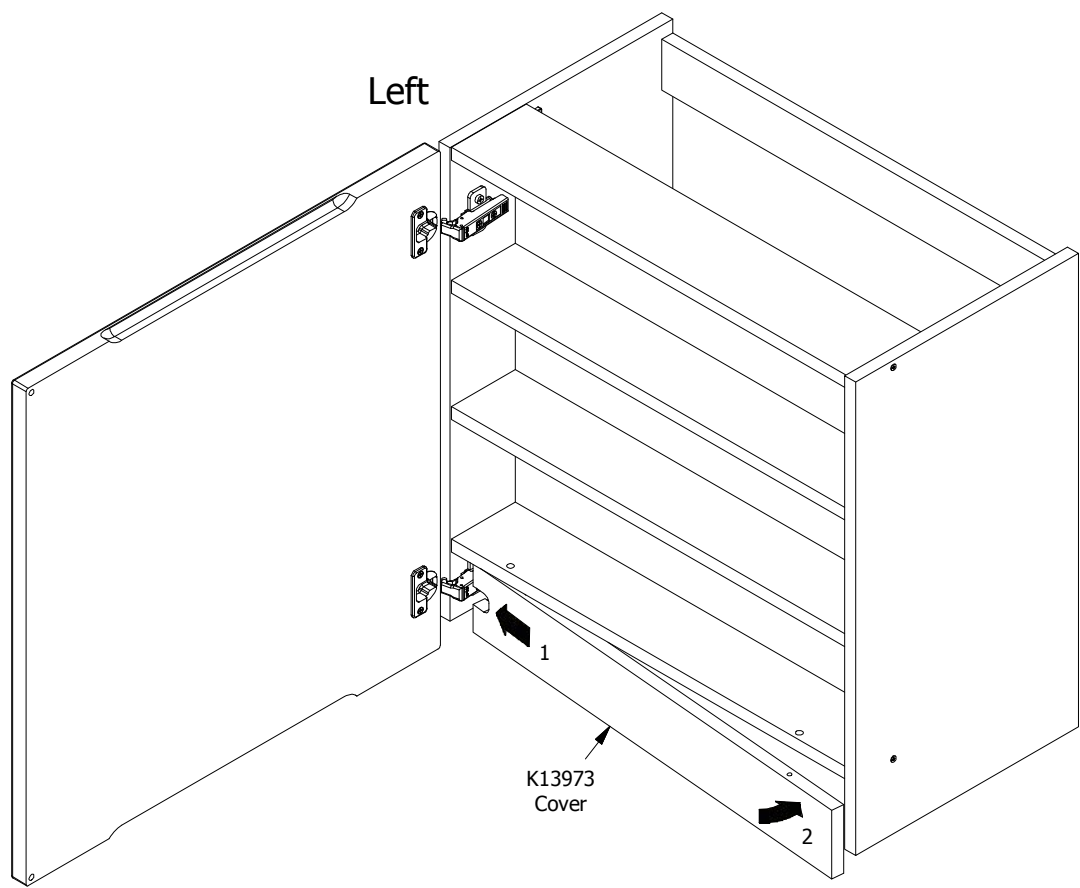


FIG. 13

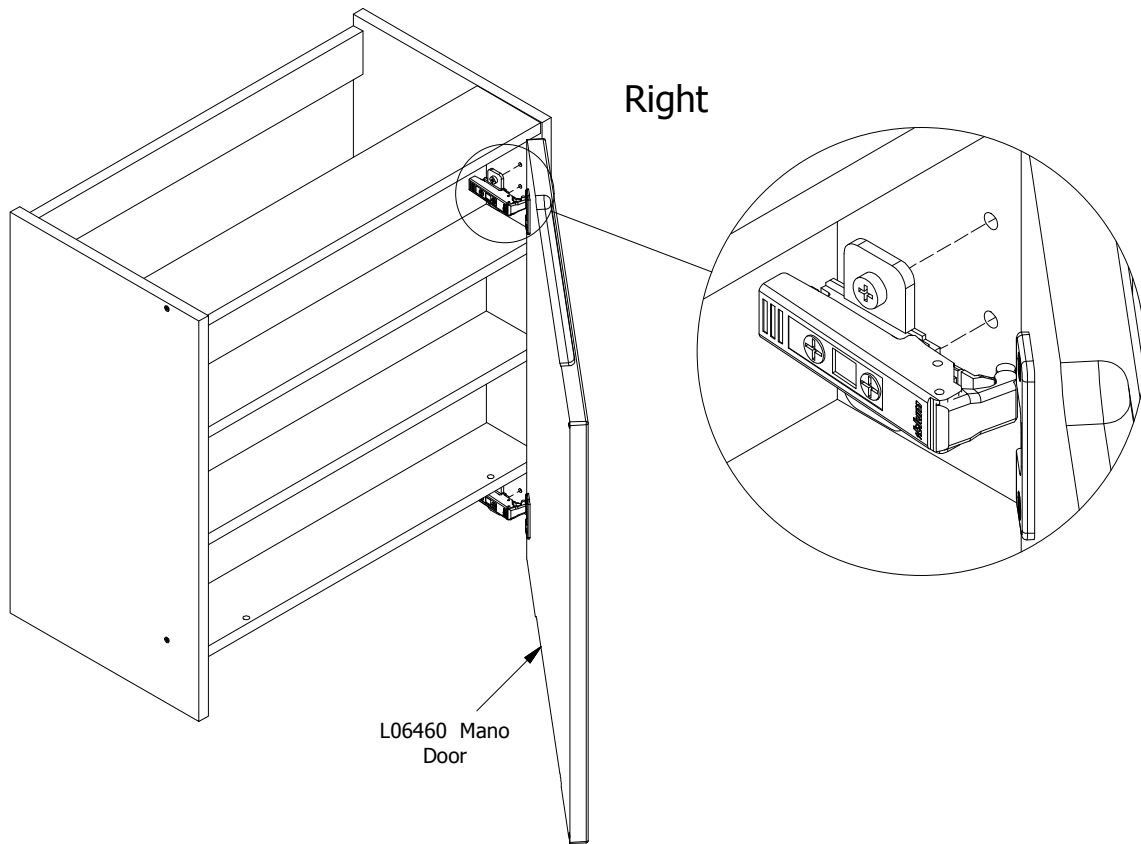


Fig 14

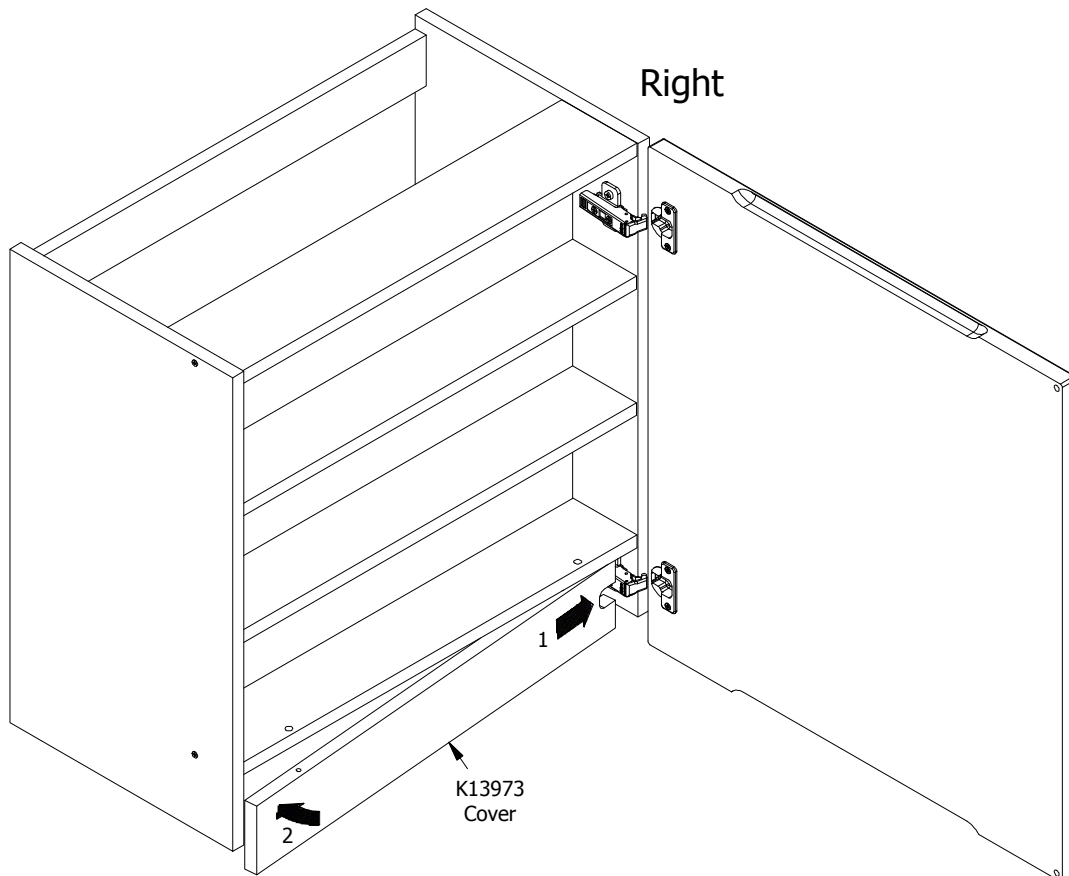
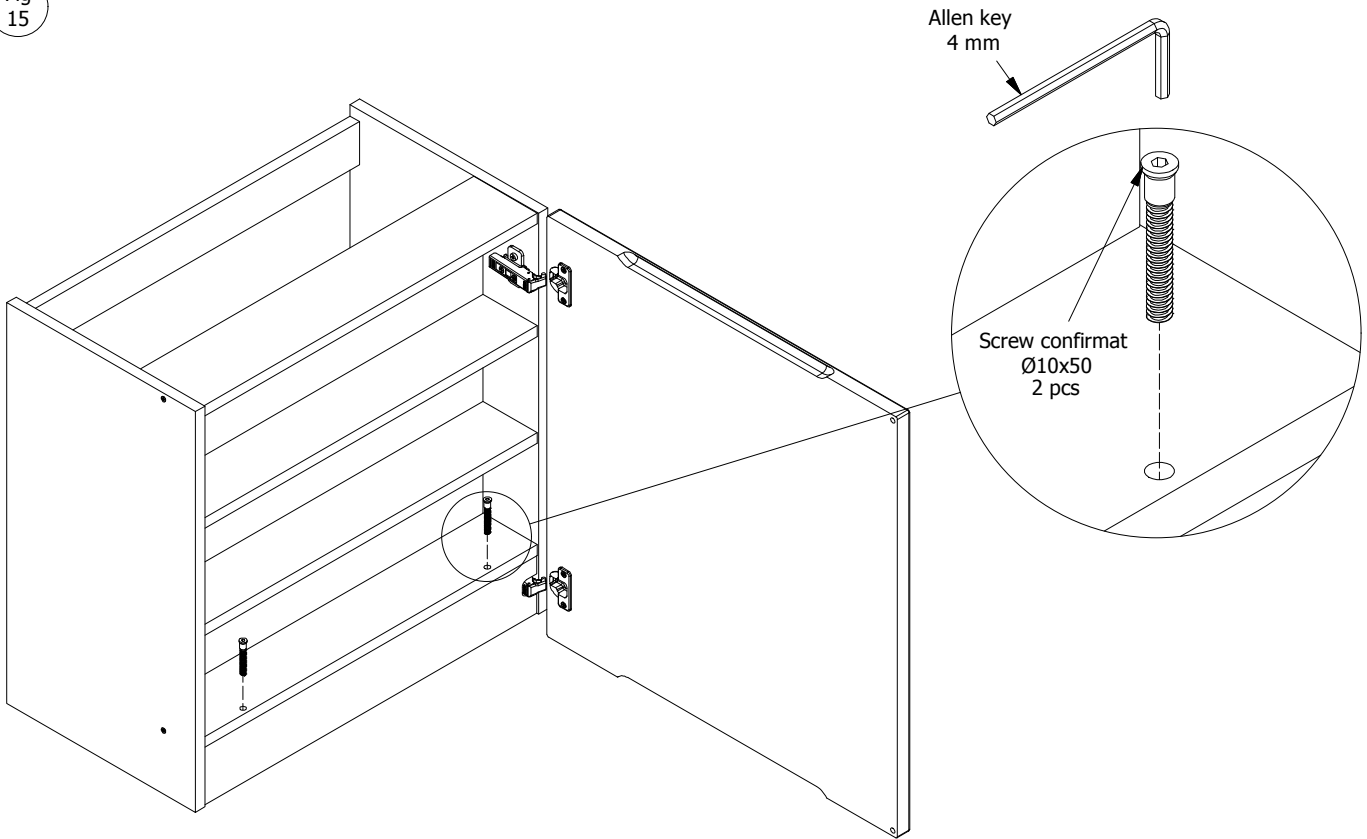


Fig 15



Adjustment

