

kvik

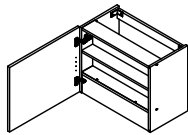
C648



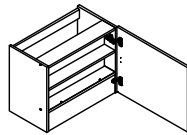
Check out easy  
mounting of your kitchen

Front without integrated handle

Left



Right



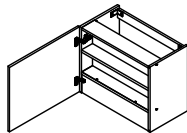
L04860



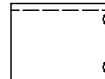
60 cm

Front with integrated handle

Left

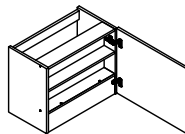


L04862

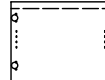


60 cm

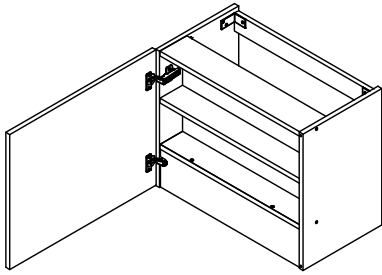
Right



L04861



60 cm



**kvik**

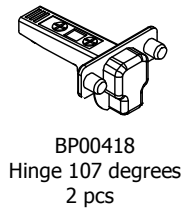
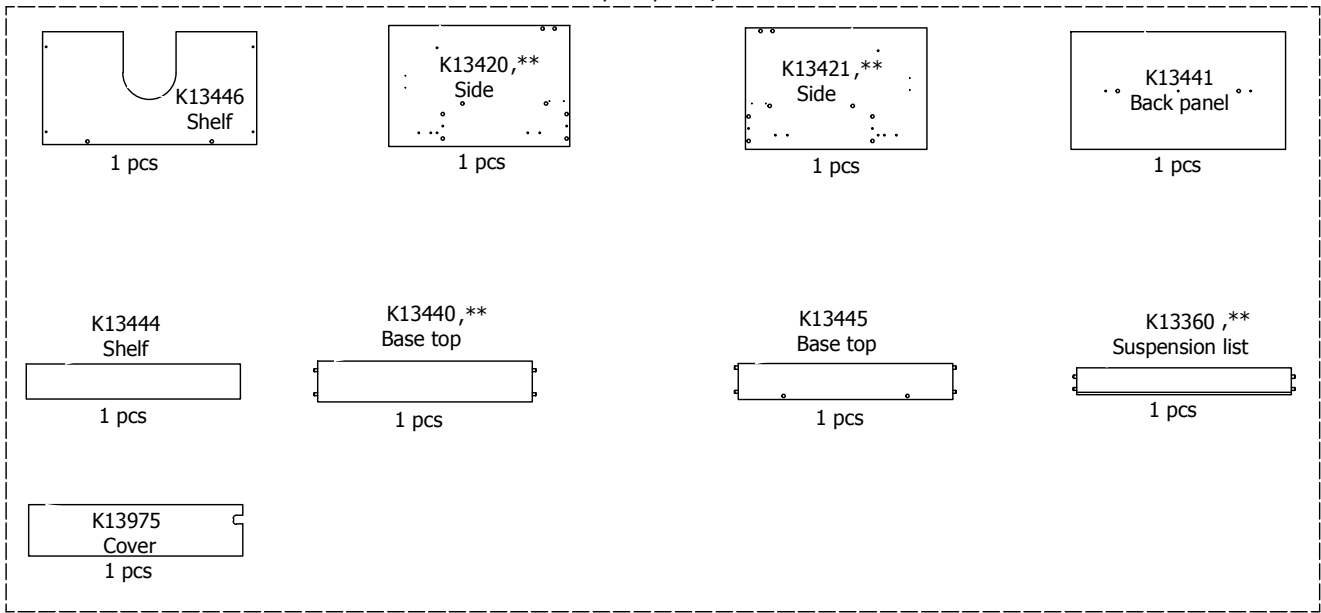
**C648**



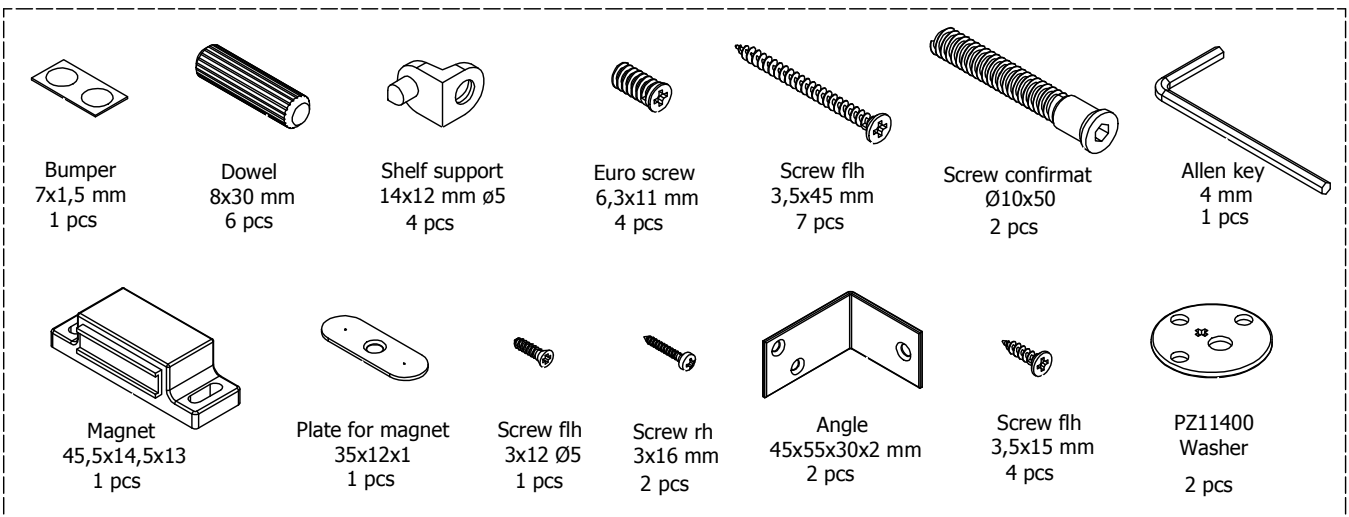
Check out easy  
mounting of your kitchen

**Method 1 (Thermex)**  
**Method 2 (Siemens)**

DC48,060,000 / 176



BP00029-BP00250-BP11400



Method 1 (Thermex)

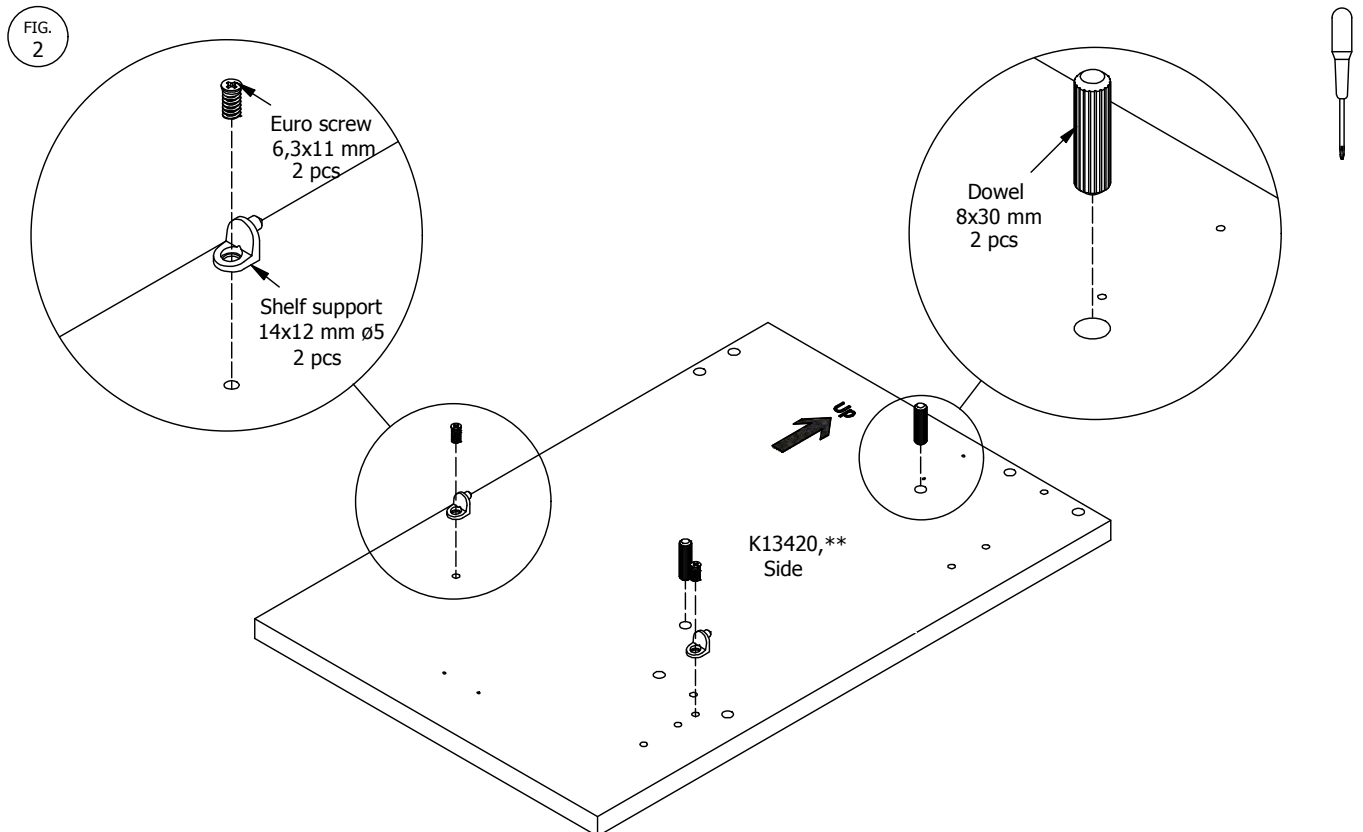
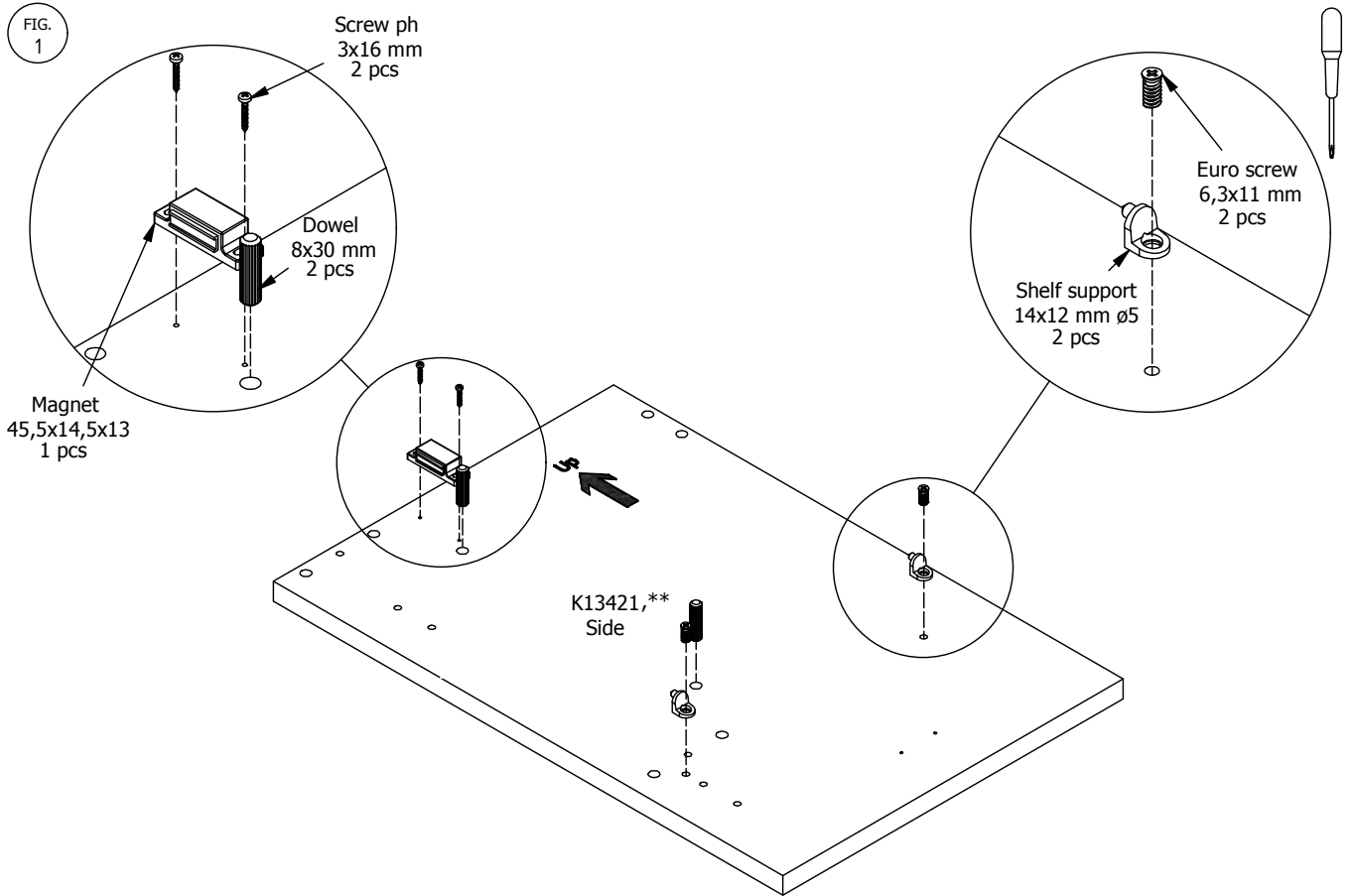


FIG. 3

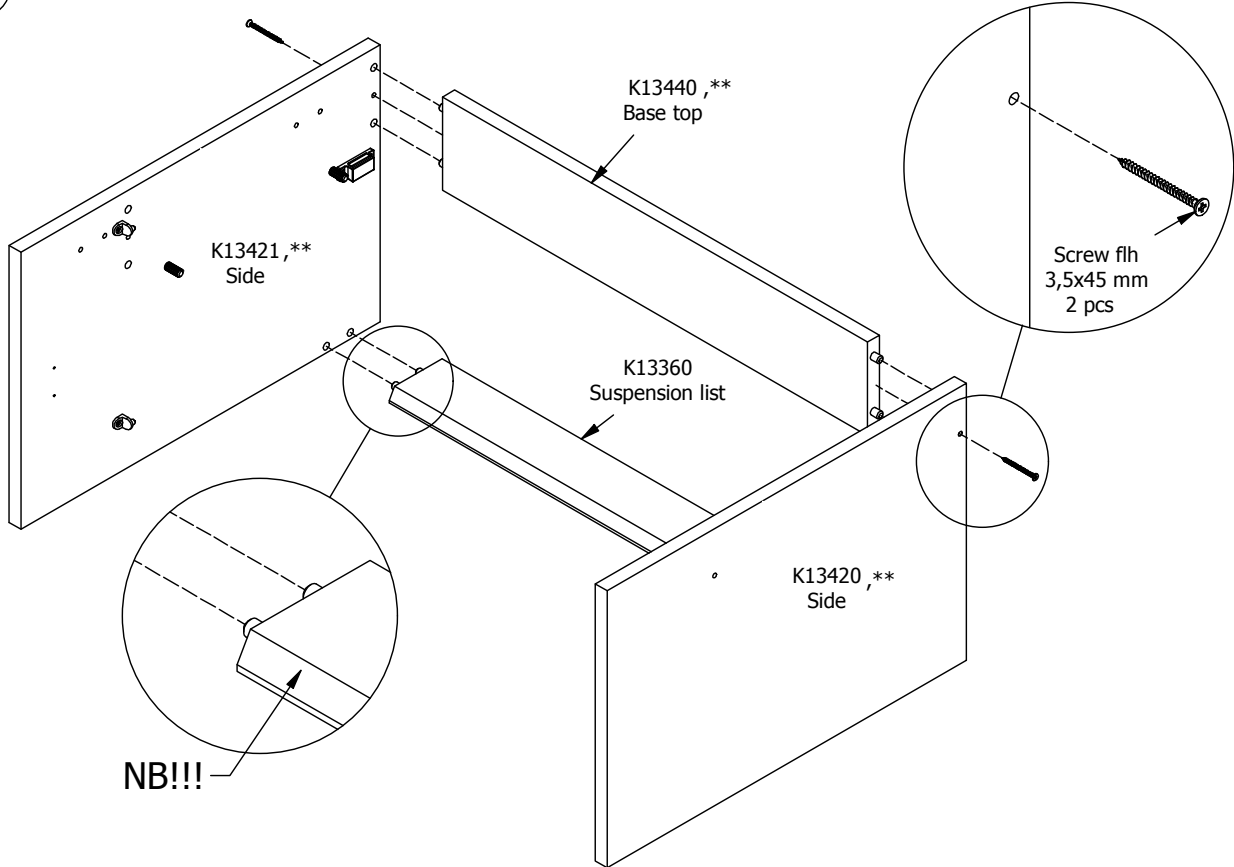


FIG. 4

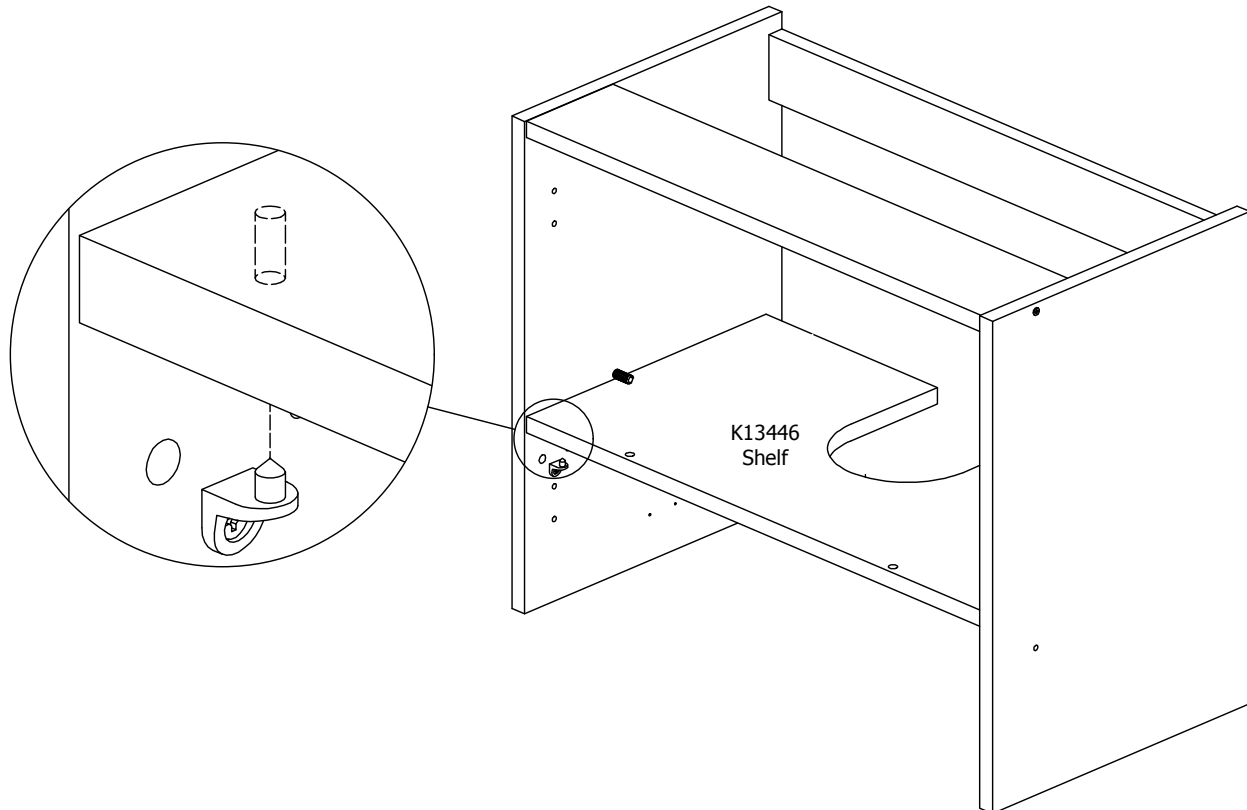


FIG. 5

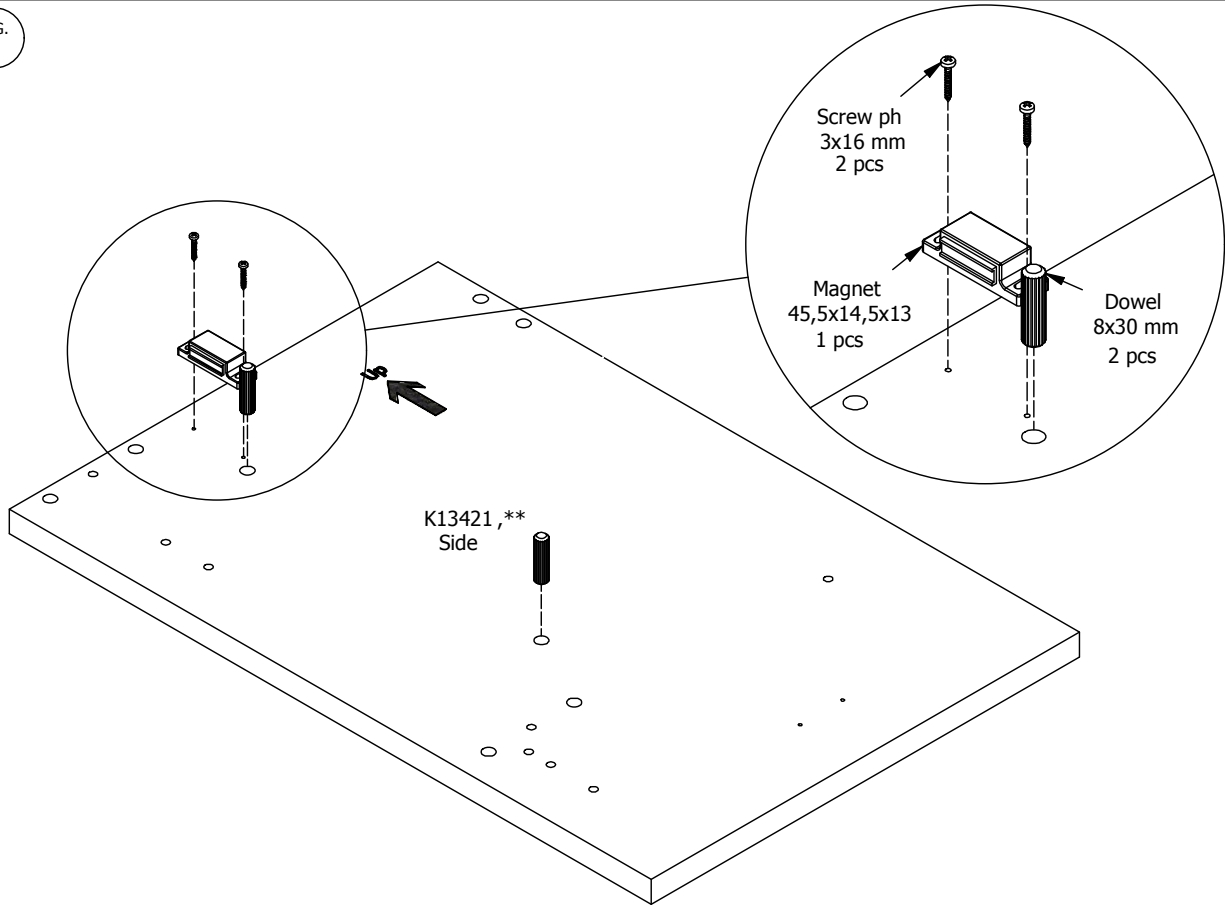


FIG. 6

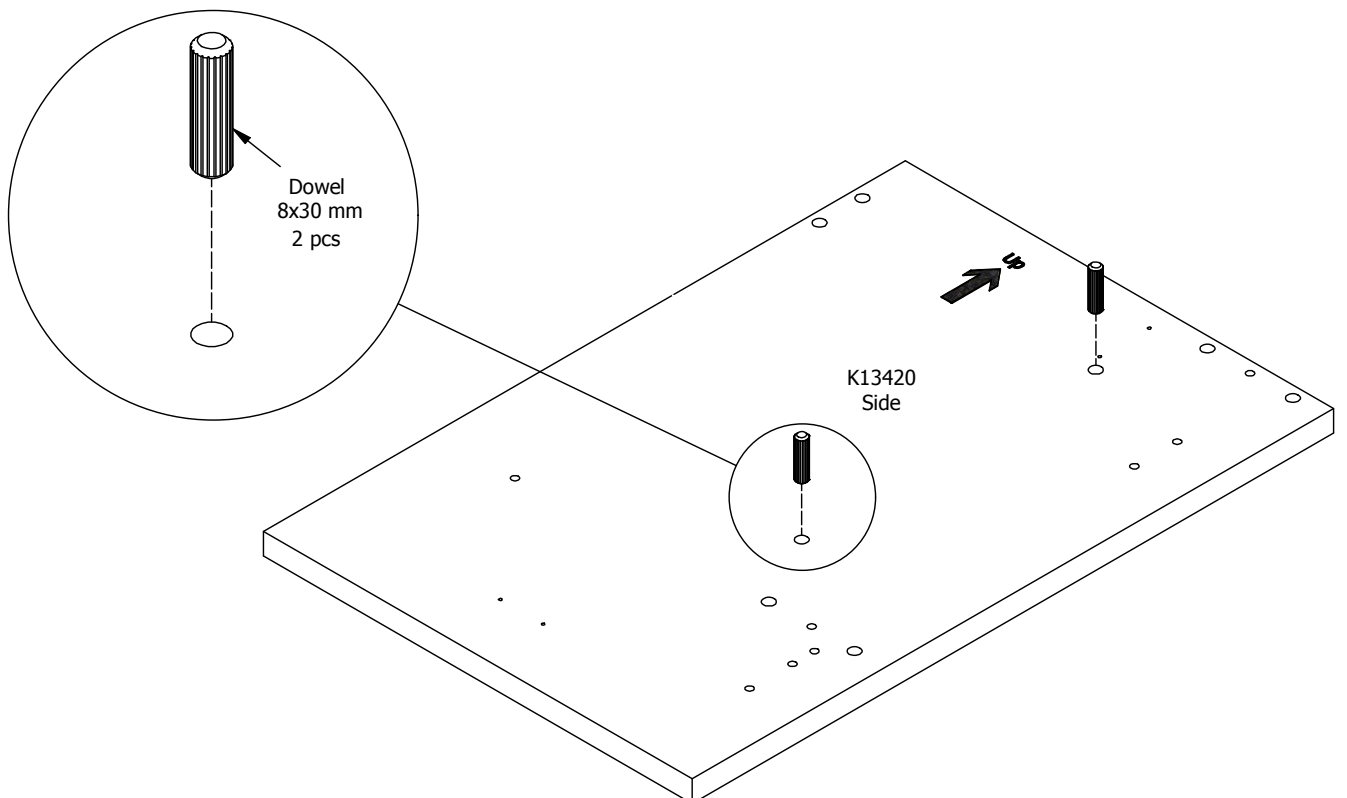


FIG. 7

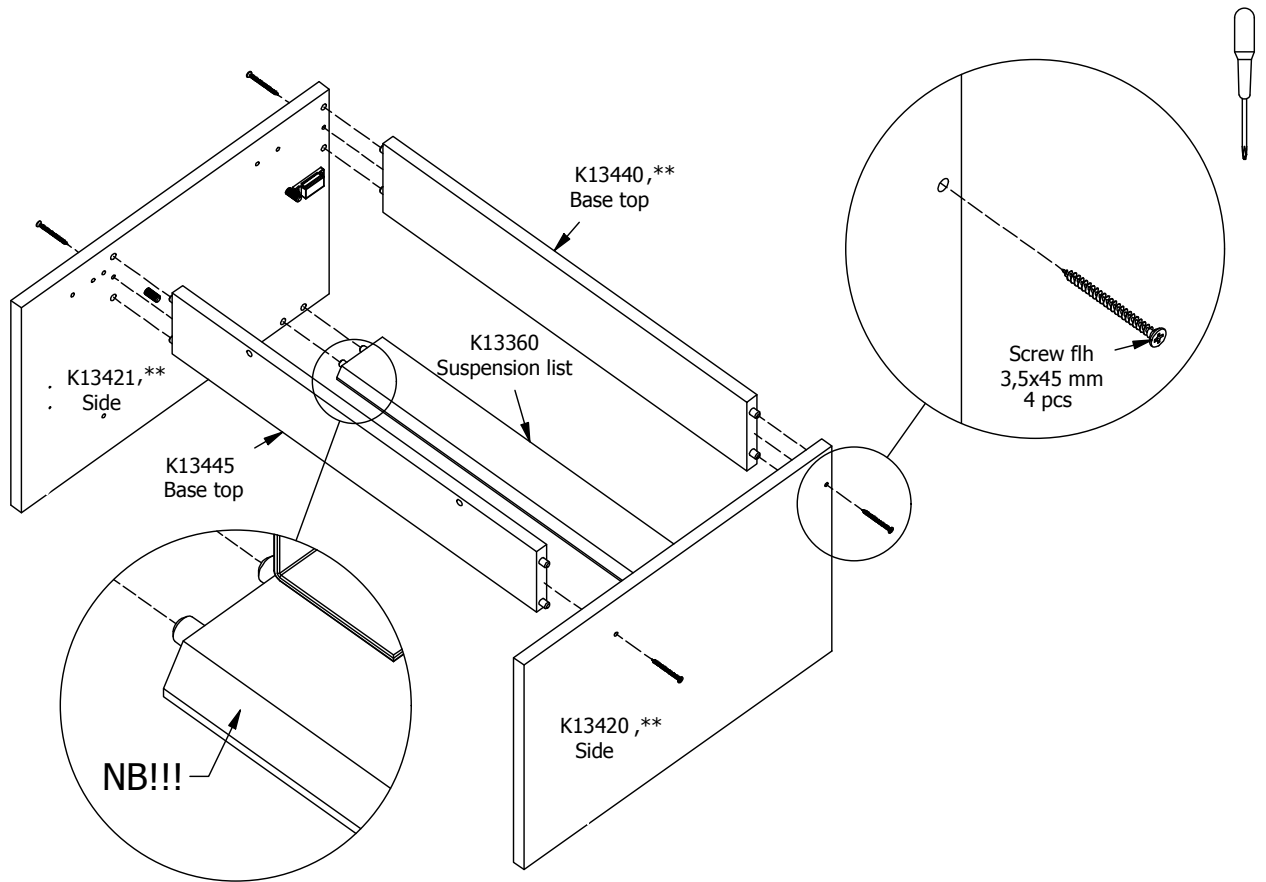


FIG. 8

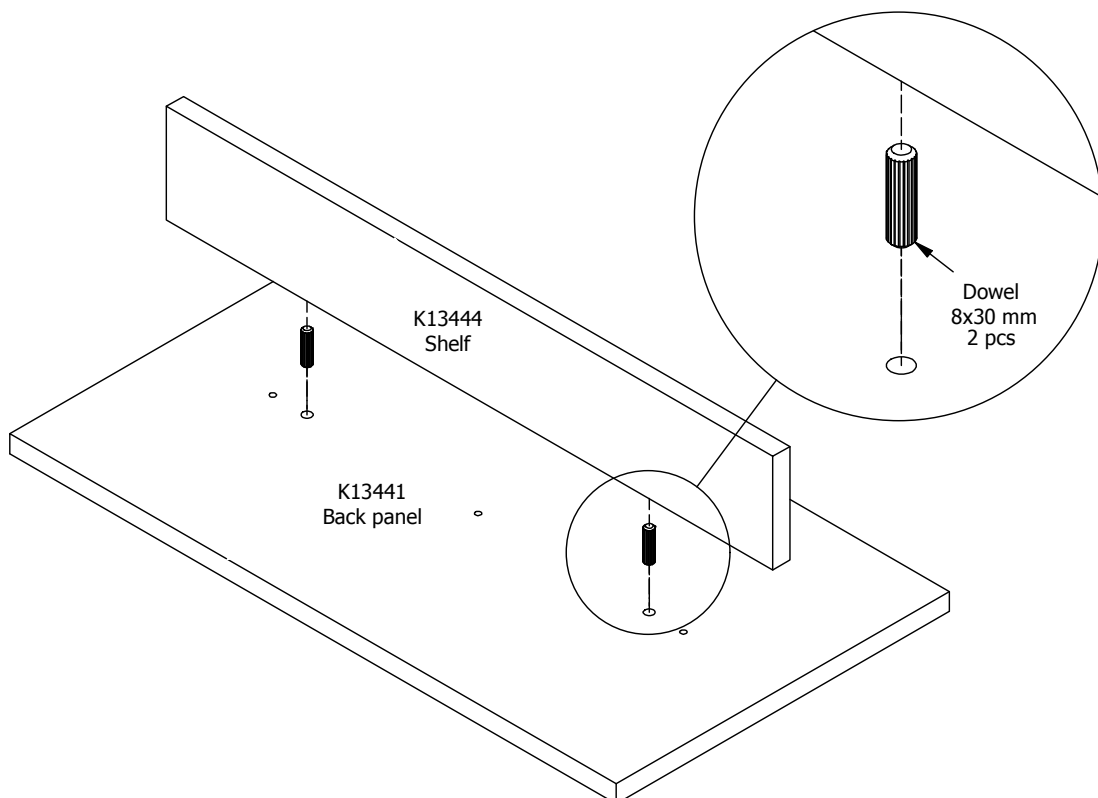


FIG. 9

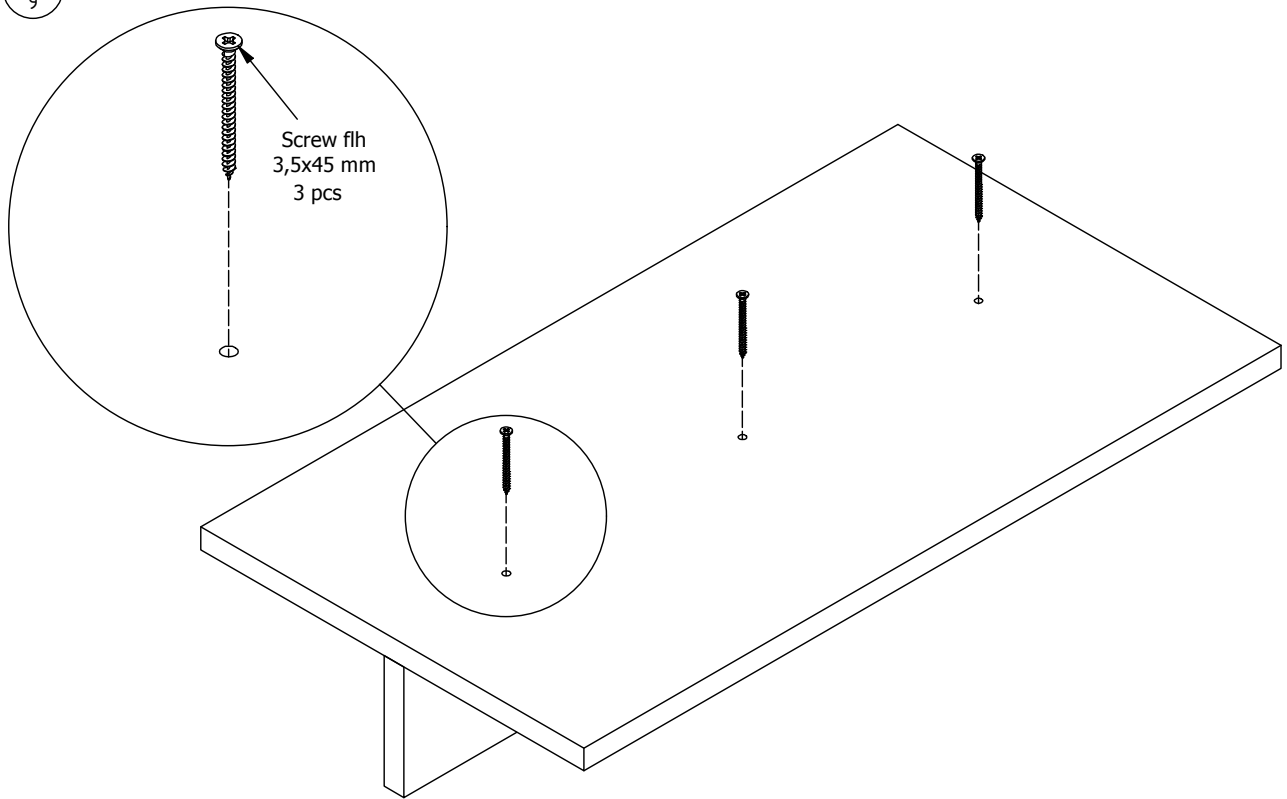


FIG. 10

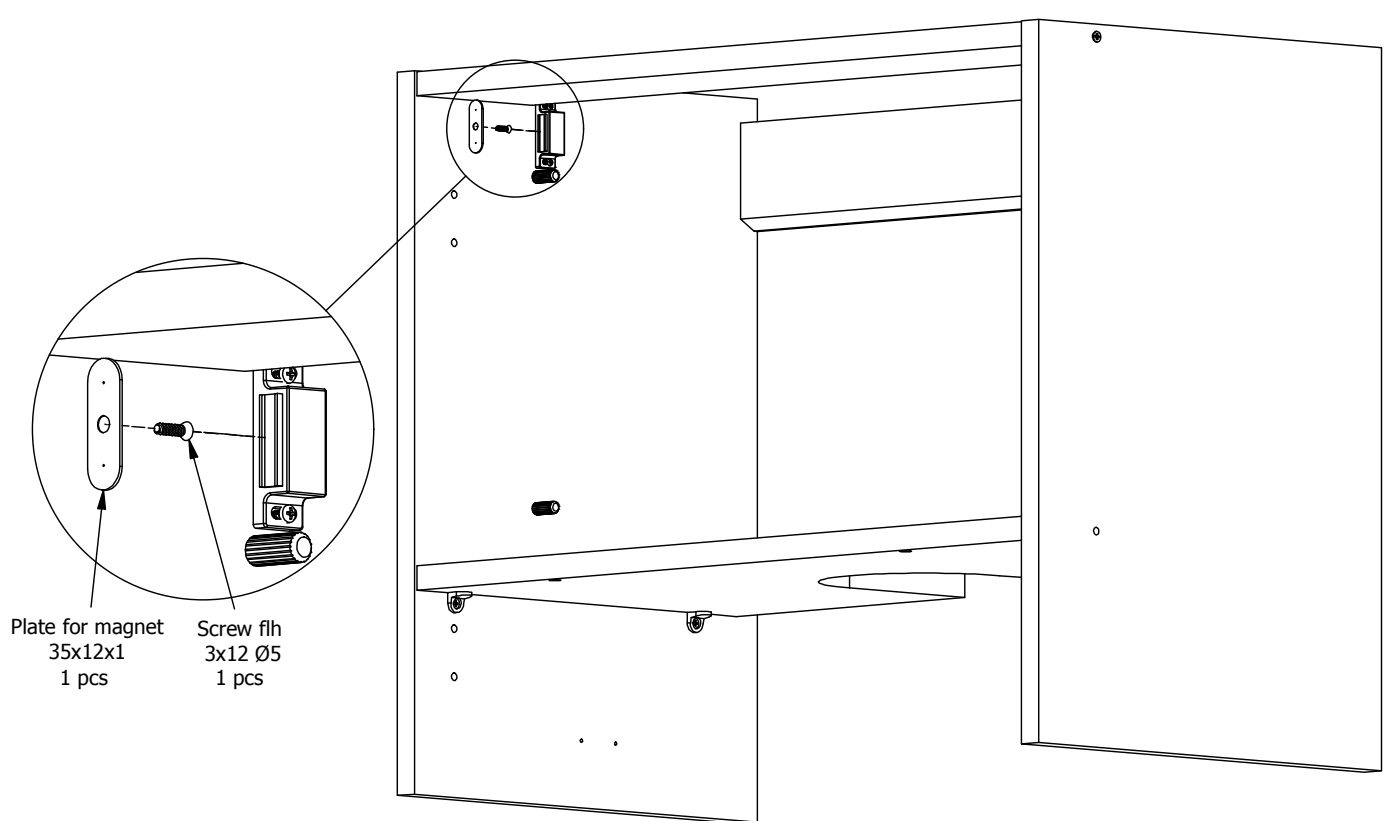


FIG. 11

Push, and the screw will make a mark on the backside, to use to mount the plate for magnet

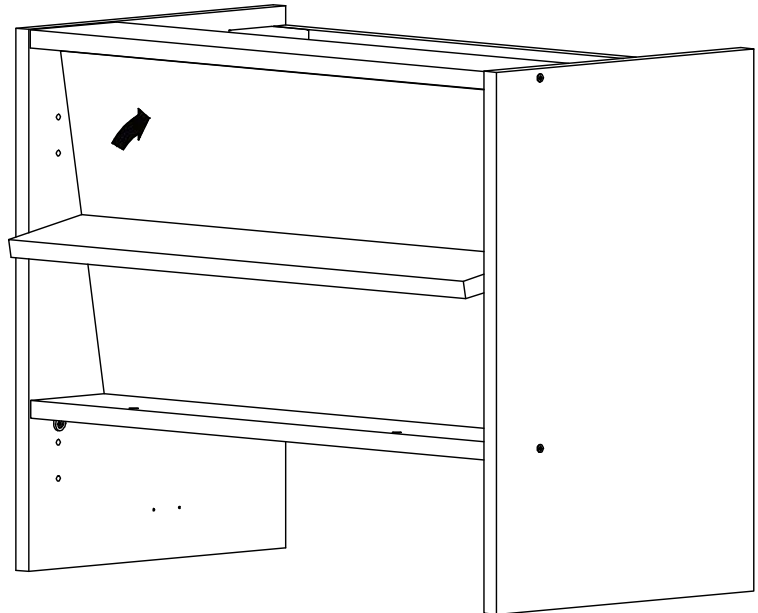


FIG. 12

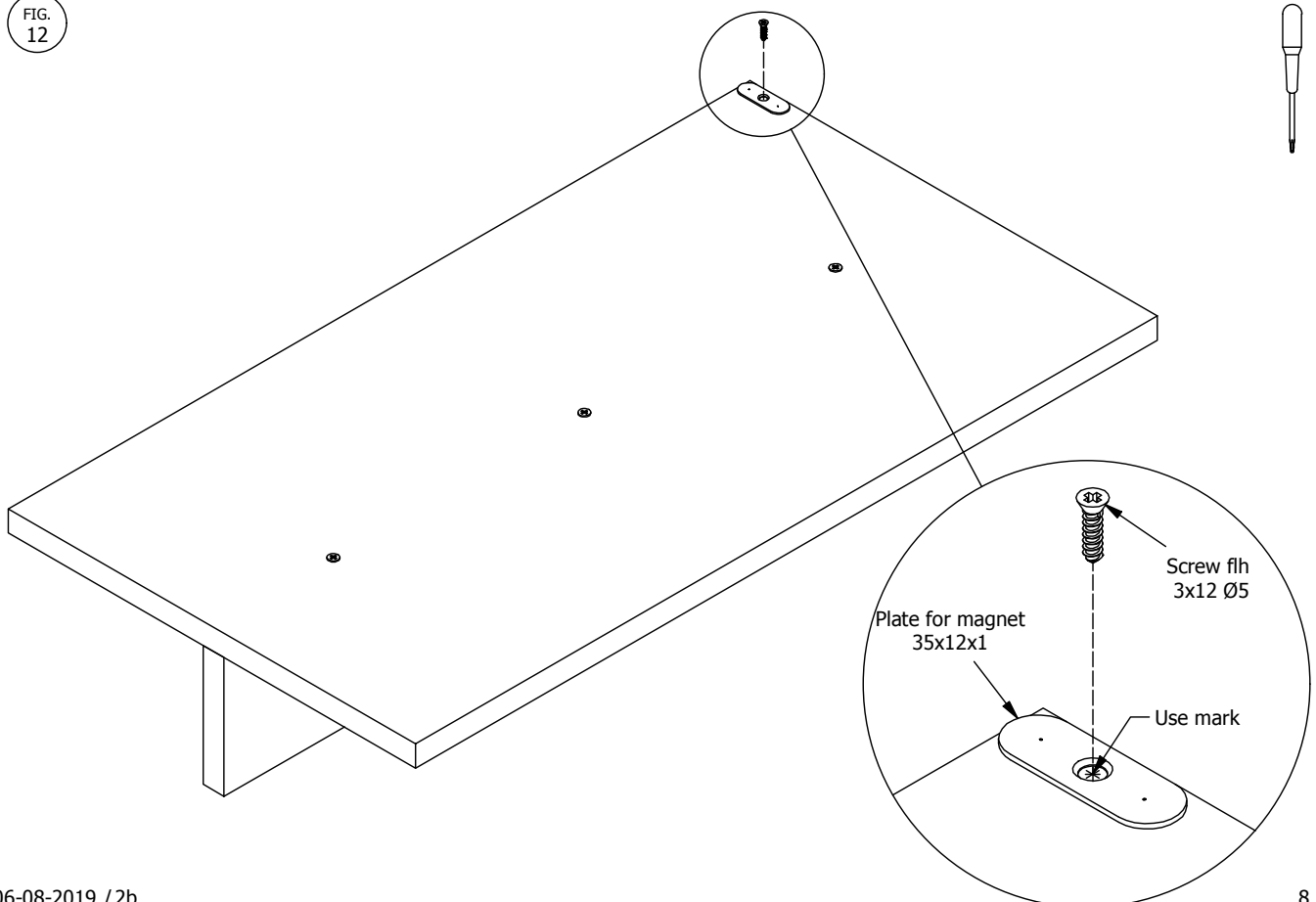




FIG. 13

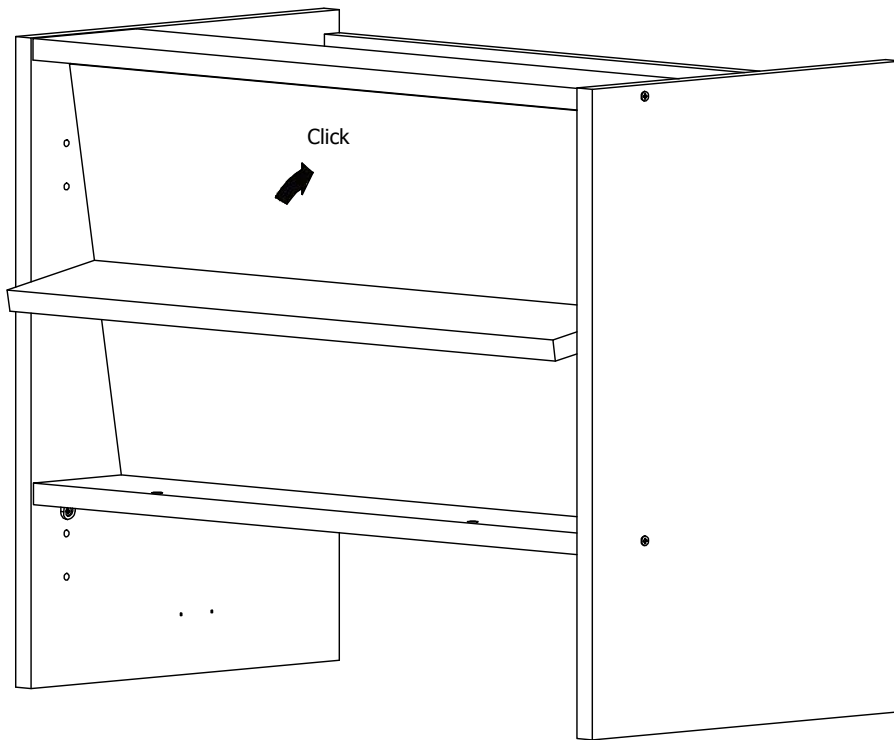


Fig 14

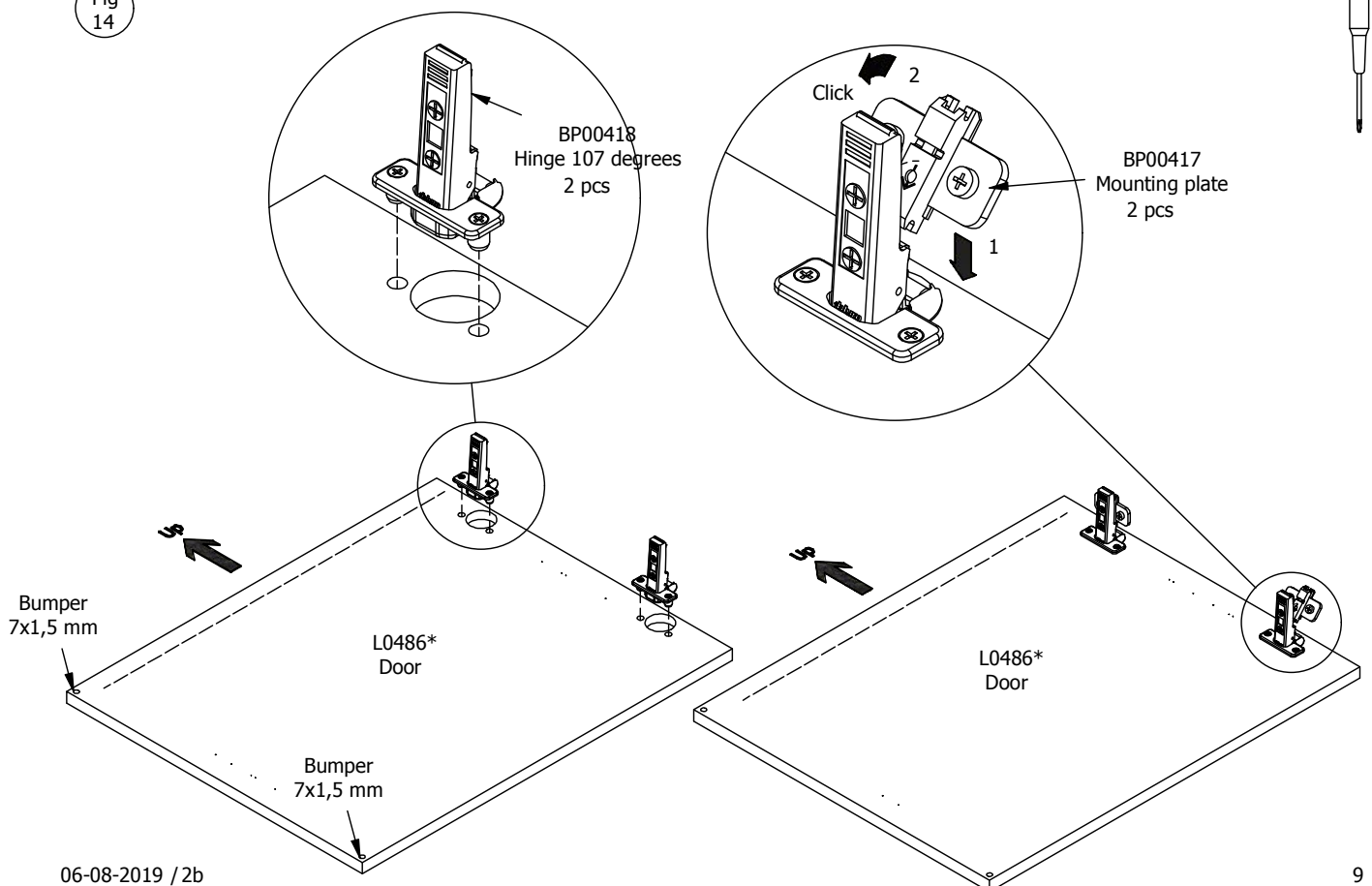


Fig 15

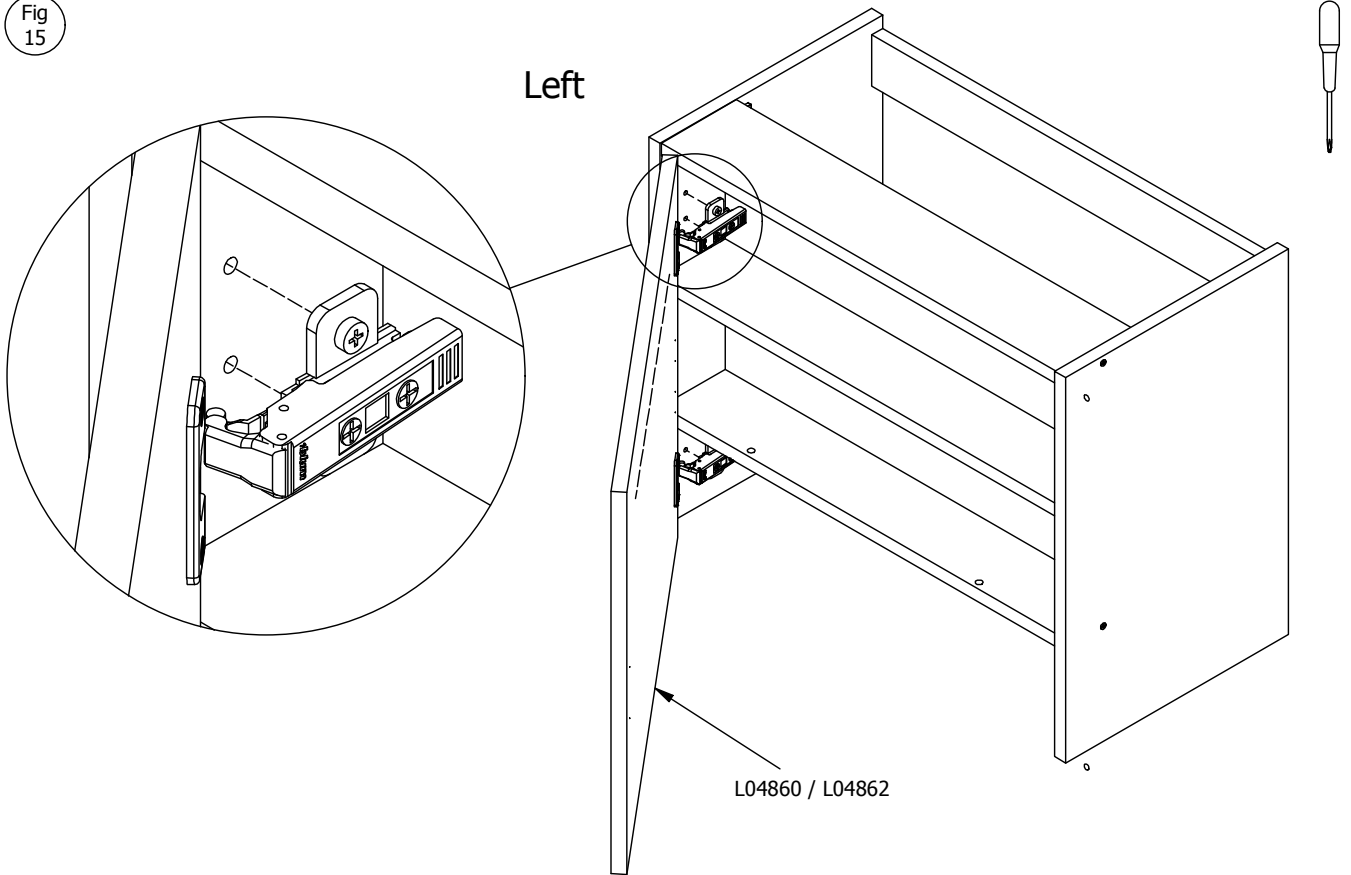


Fig 16

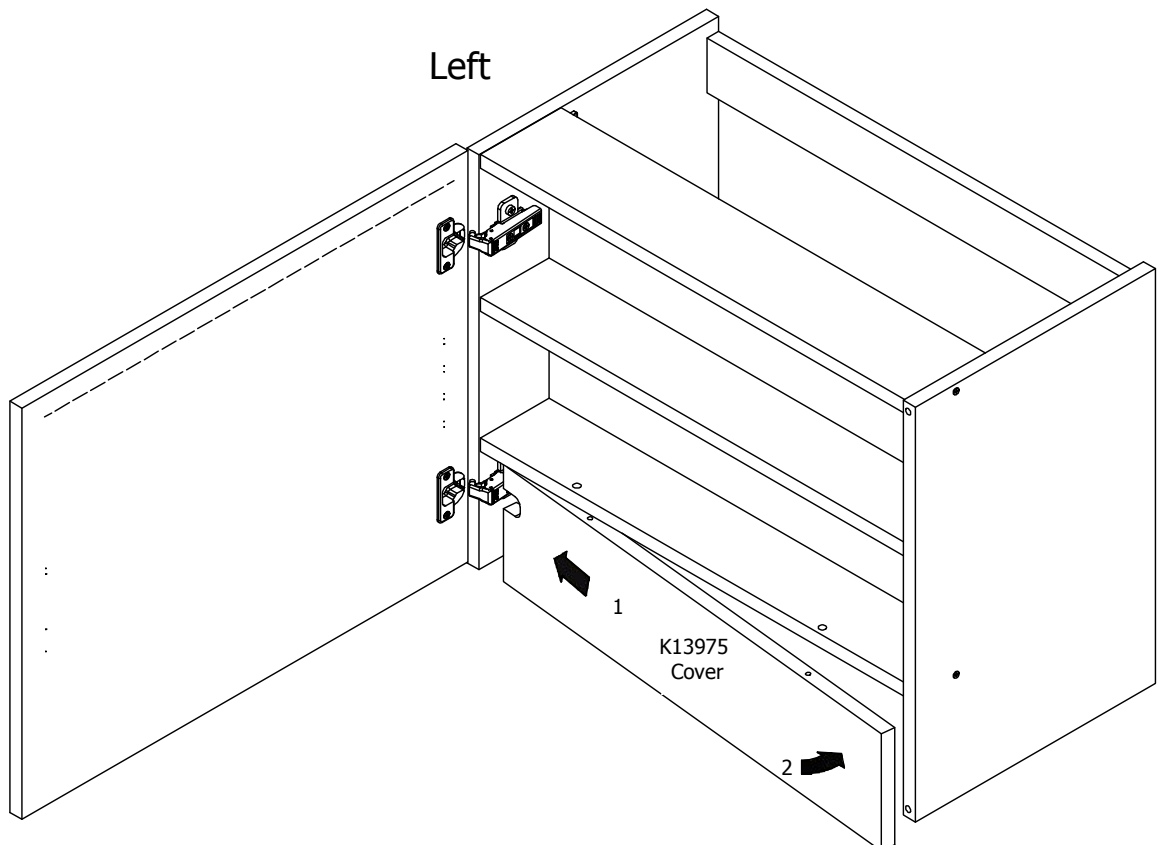


Fig 17

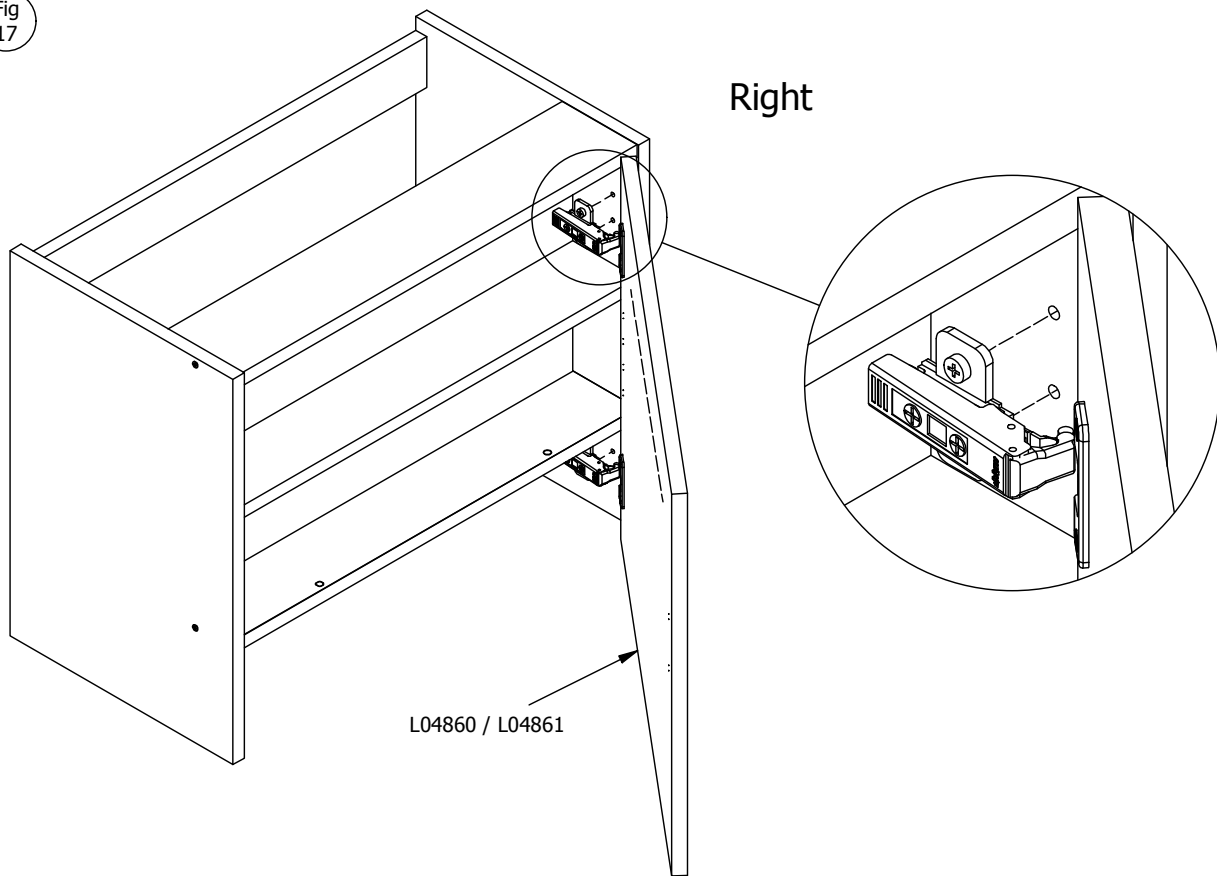
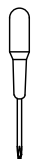


Fig 18

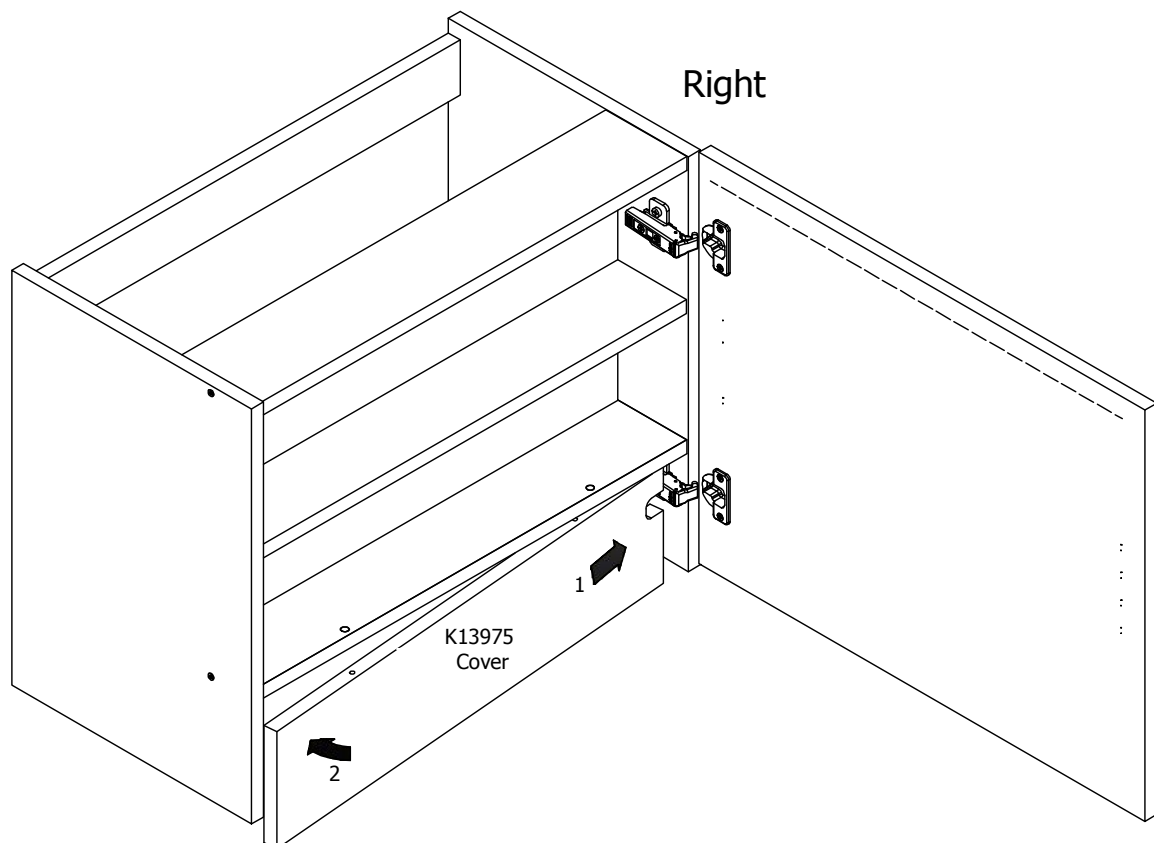
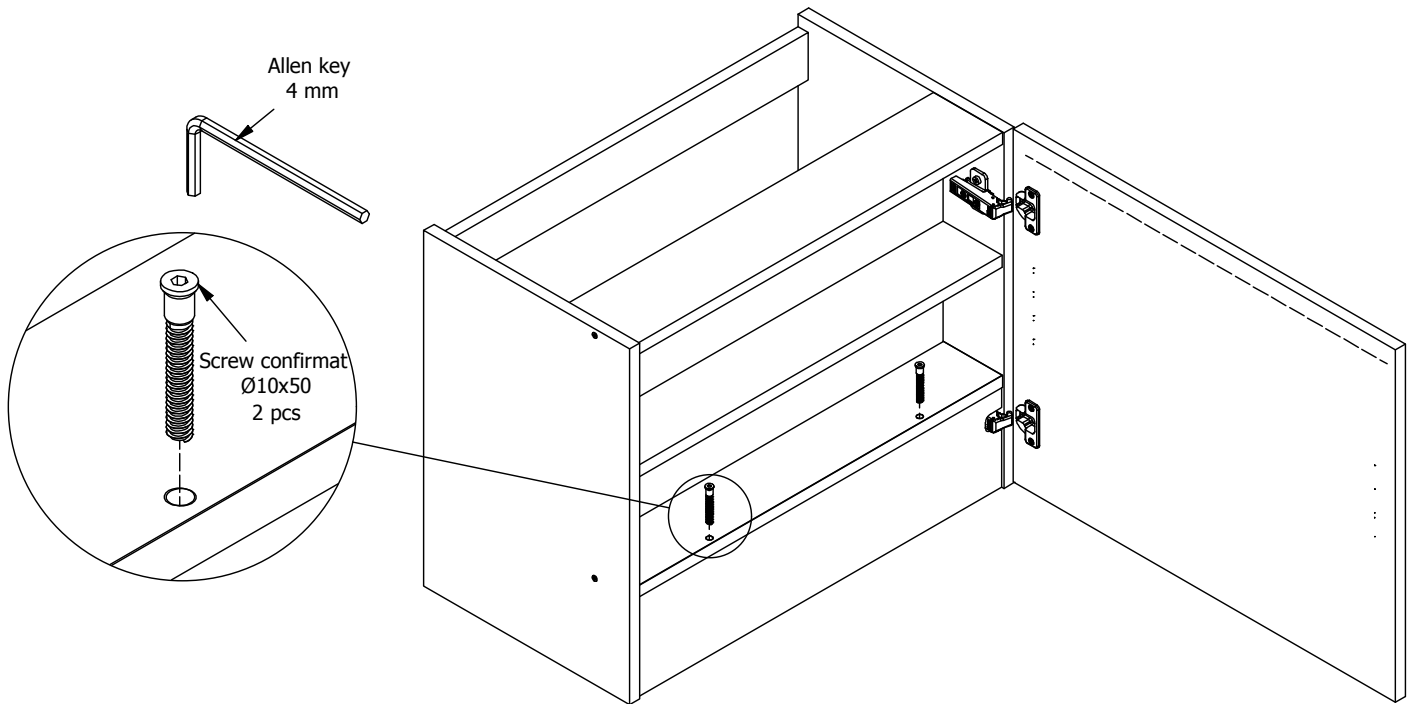


Fig 19



## Adjustment

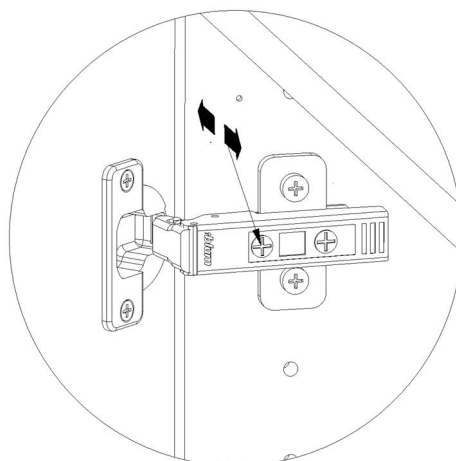
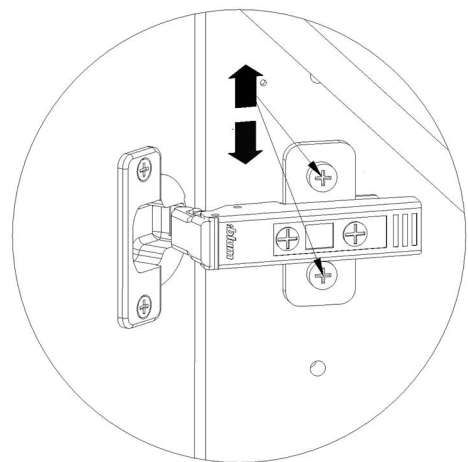
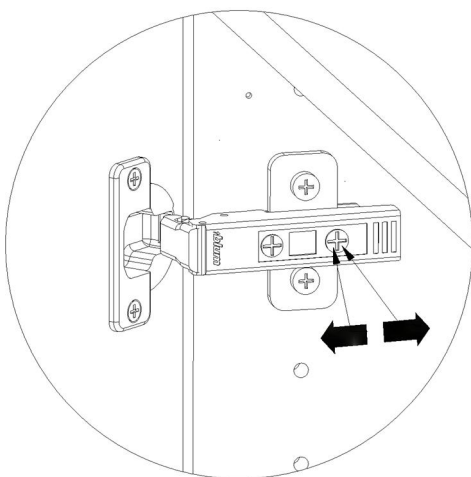
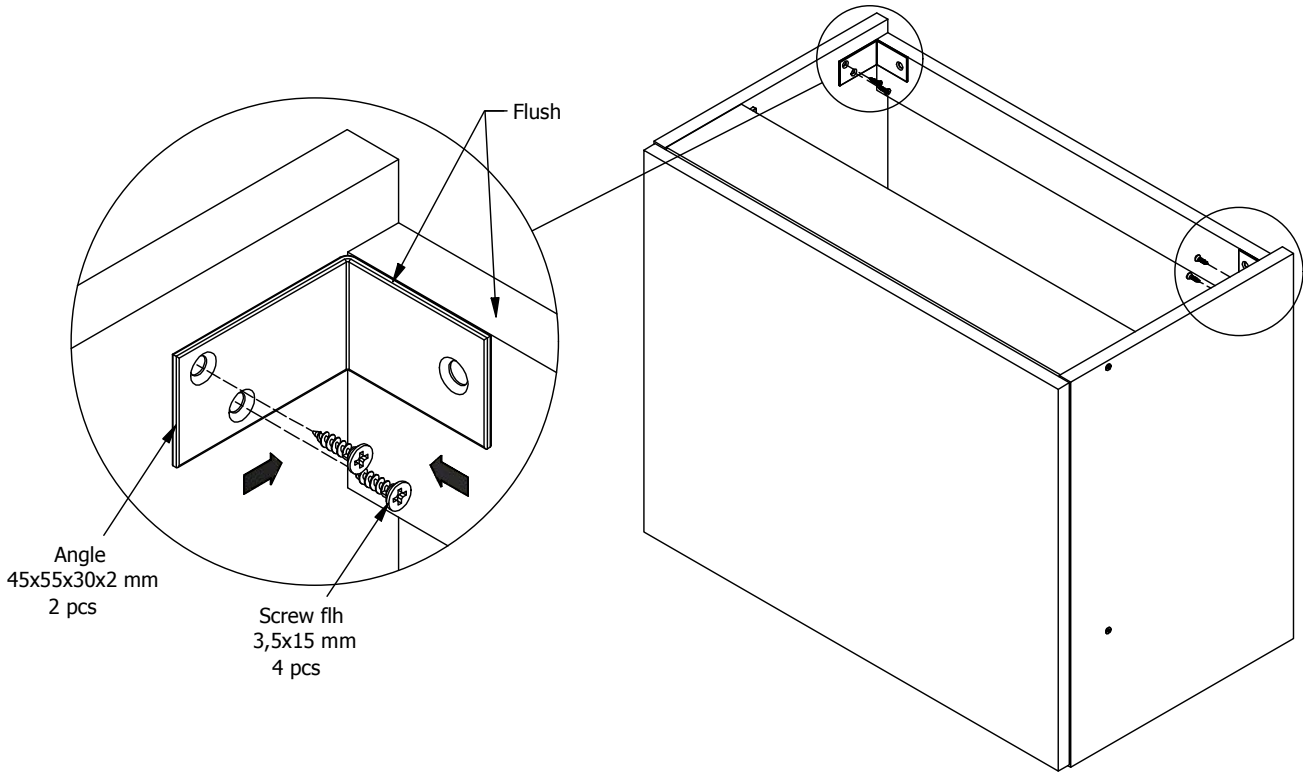


Fig 20



Installation, please read instruction BP11400

