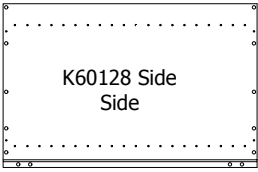
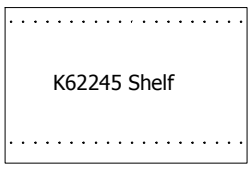
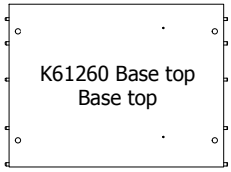
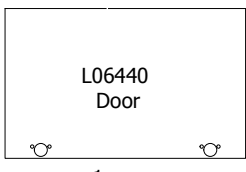
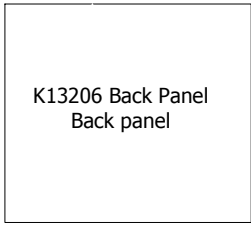
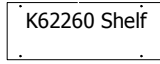

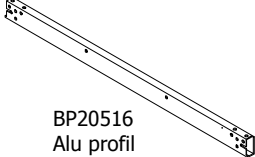


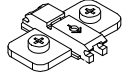
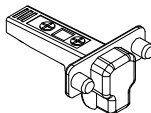
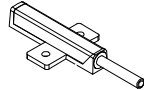



kvik 

BS11150,060

BU4560,150

 <p>K60128 Side Side</p> <p>2 pcs</p>	 <p>K62245 Shelf</p> <p>1 pcs</p>	 <p>K61260 Base top Base top</p> <p>1 pcs</p>	 <p>L06440 Door</p> <p>1 pcs</p>
 <p>K13206 Back Panel Back panel</p> <p>1 pcs</p>	 <p>K62260 Shelf</p> <p>2 pcs</p>	 <p>K13360 Suspension list</p> <p>1 pcs</p>	 <p>BP20516 Alu profil</p> <p>1 pcs</p>
	 <p>K61216 List back</p> <p>1 pcs</p>	 <p>K13363 Suspension list</p> <p>1 pcs</p>	
 <p>BP00417 Mounting plate</p> <p>2 pcs</p>	 <p>BP00618 Hinge</p> <p>2 pcs</p>	 <p>ID21570 Push open</p> <p>1 pcs</p>	 <p>Euro screw 6,3x11 mm</p> <p>2 pcs</p>

BP00532-BP01905-BP00250

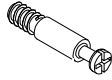

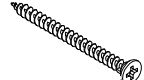
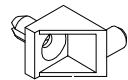

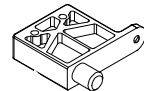


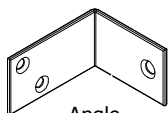
 <p>Fitting bolt Ø5/11x24</p> <p>4 pcs</p>	 <p>Fitting house Ø15x11,7 mm</p> <p>4 pcs</p>	 <p>Screw flh 3,5x45 mm</p> <p>3 pcs</p>	 <p>315264 Shelf support</p> <p>8 pcs</p>	 <p>Screw flh 3,4x10mm</p> <p>8 pcs</p>	 <p>Rail holder 30,5x30,5 m/ Ø8</p> <p>2 pcs</p>
 <p>EuroscREW Ø4,2x9,5</p> <p>4 pcs</p>	 <p>Screw flh 3,5x15 mm</p> <p>6 pcs</p>	 <p>Angle 45x55x30x2 mm</p> <p>2 pcs</p>			

FIG. 1

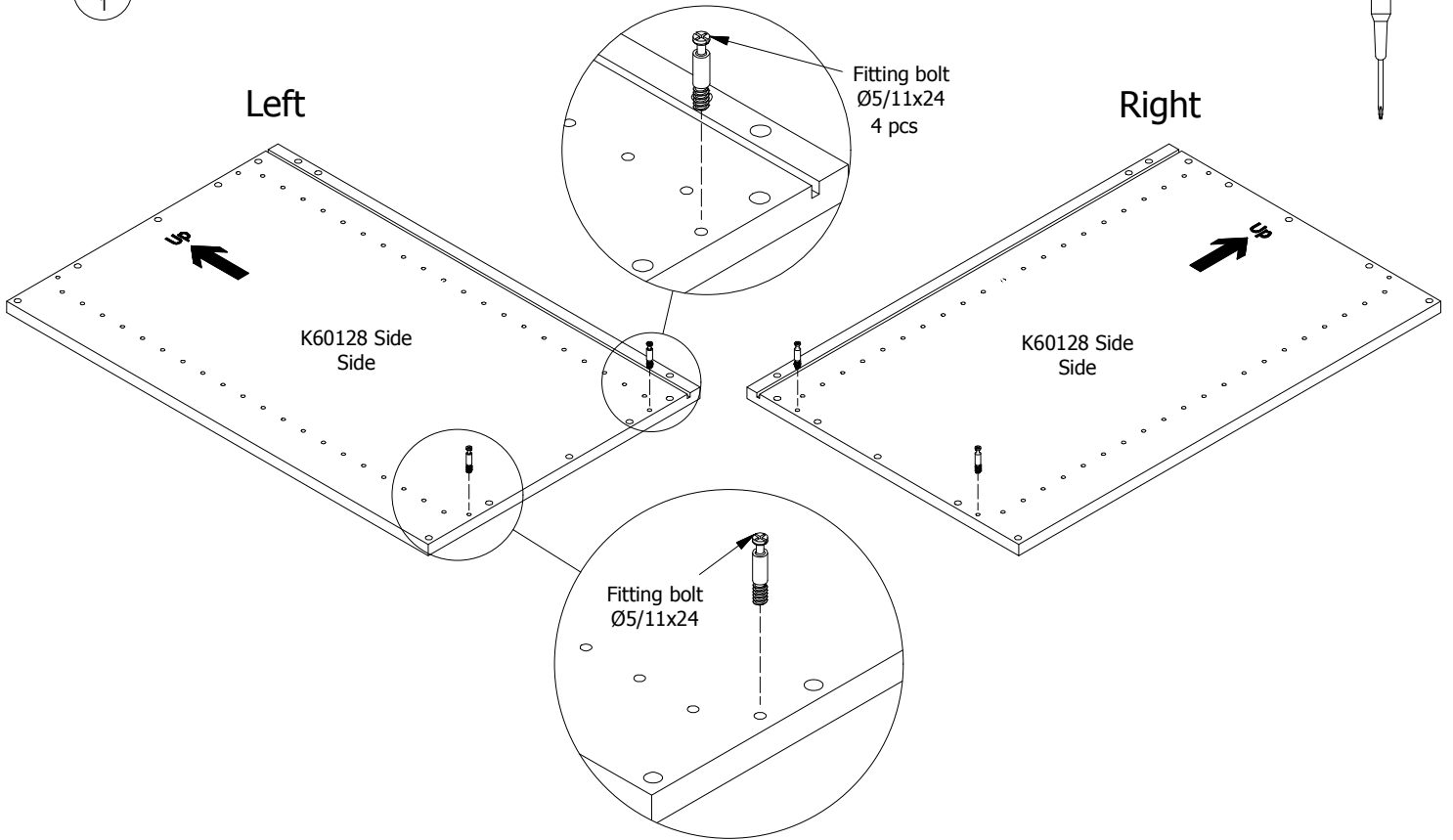


FIG. 2

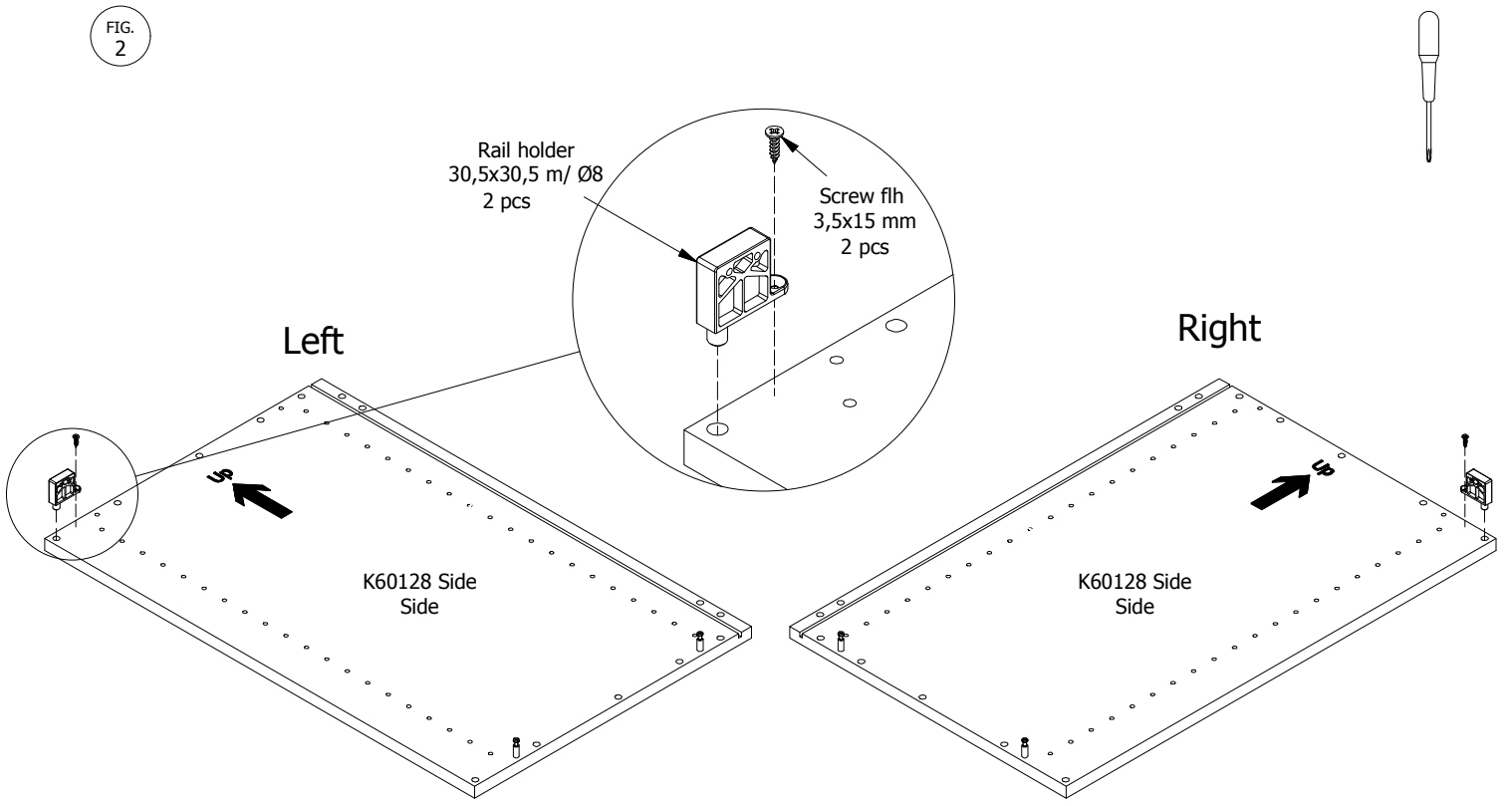


FIG. 3

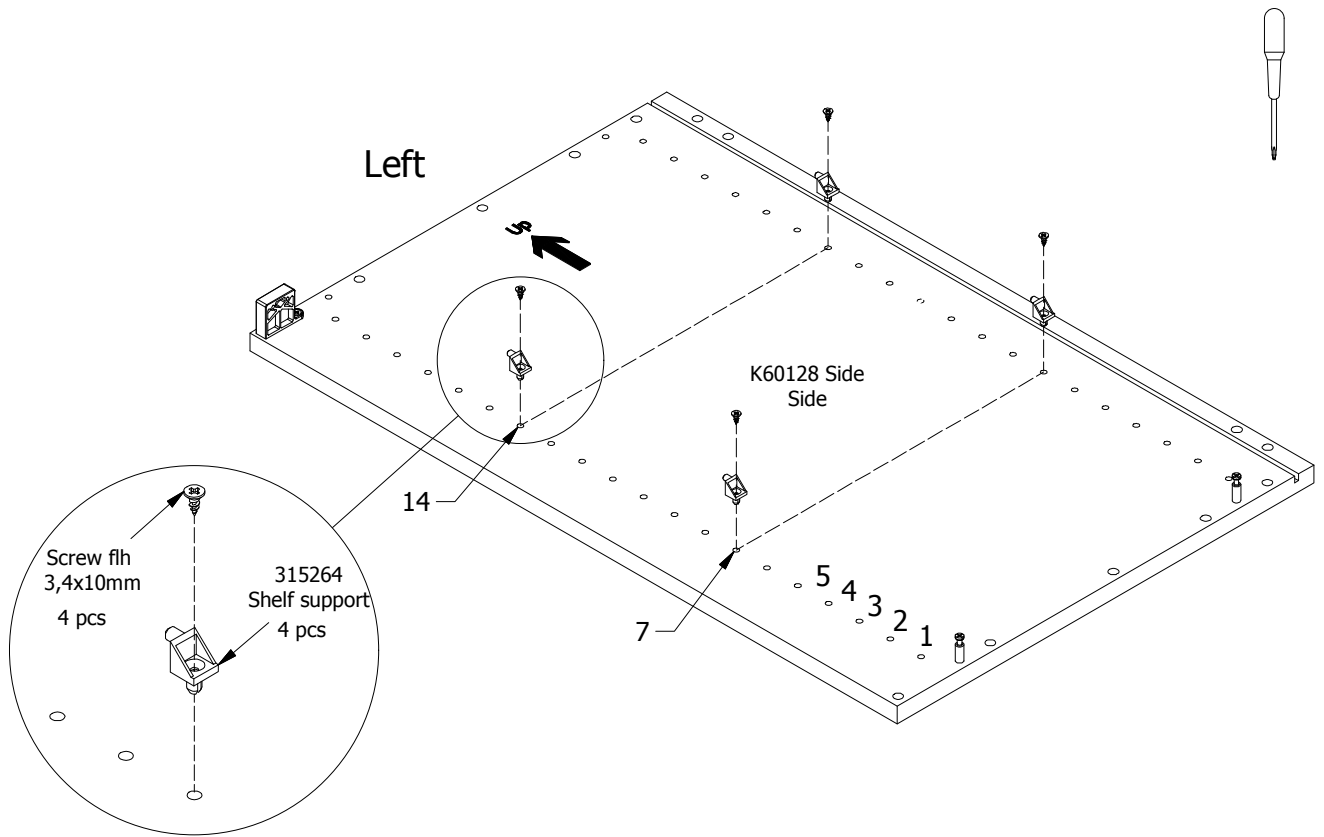


FIG. 4

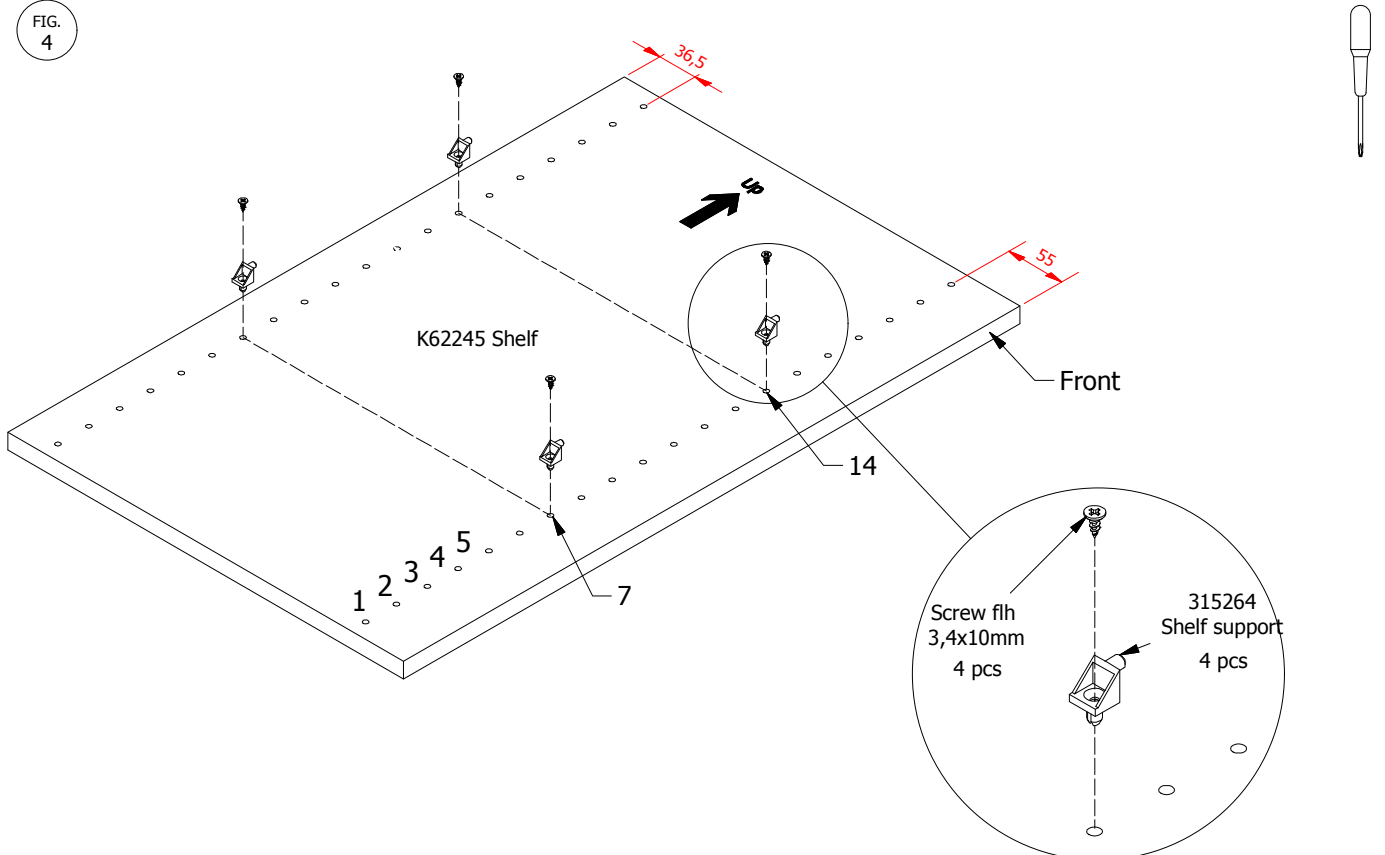


FIG. 5

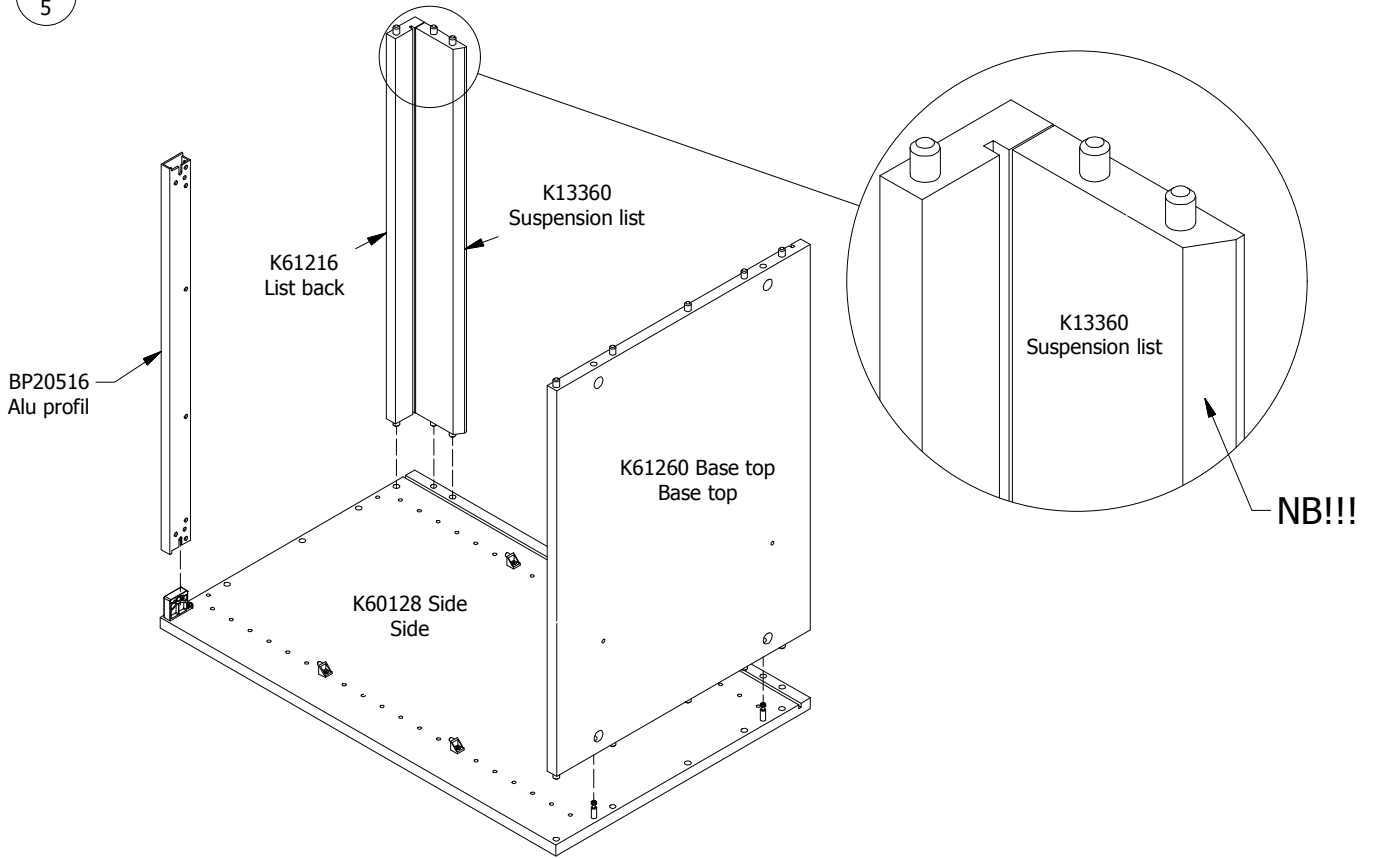


FIG. 6

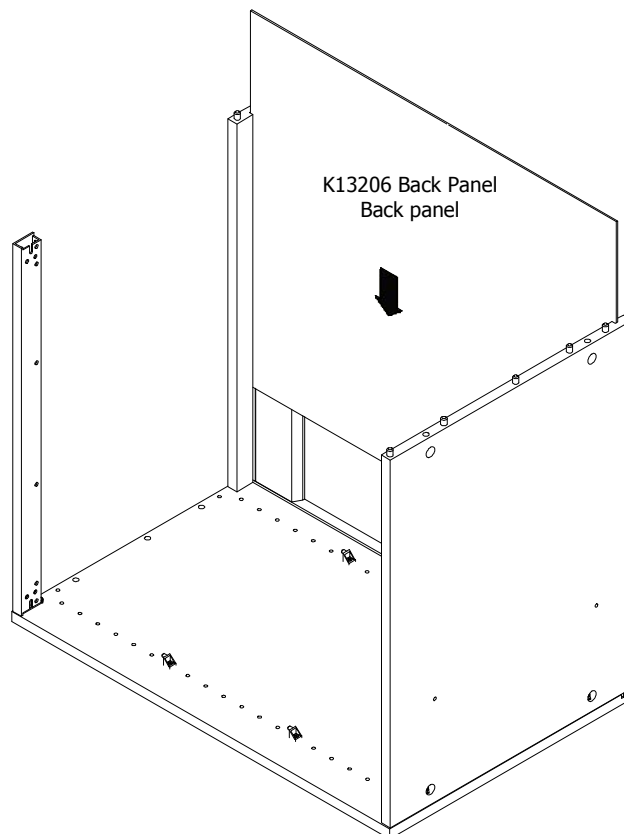


FIG.
7

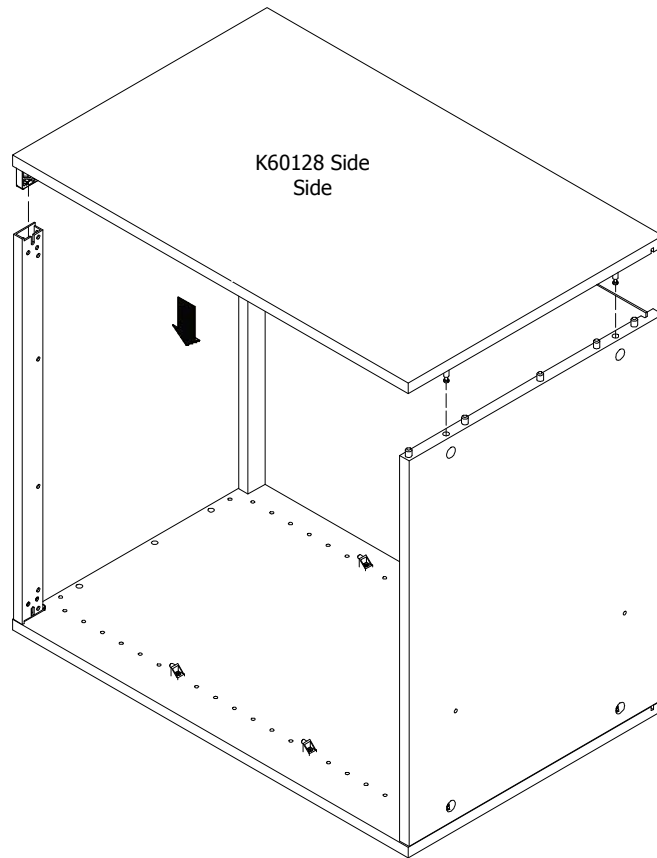


FIG.
8

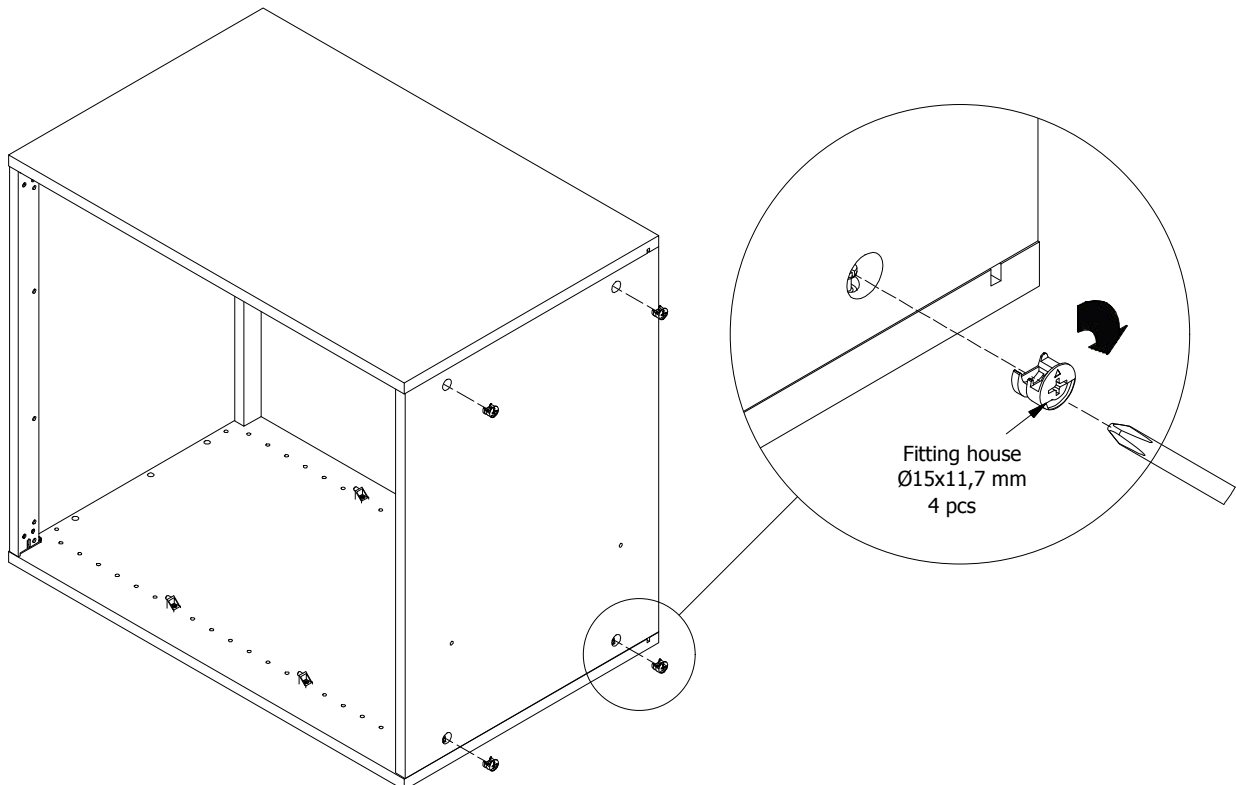


FIG. 9

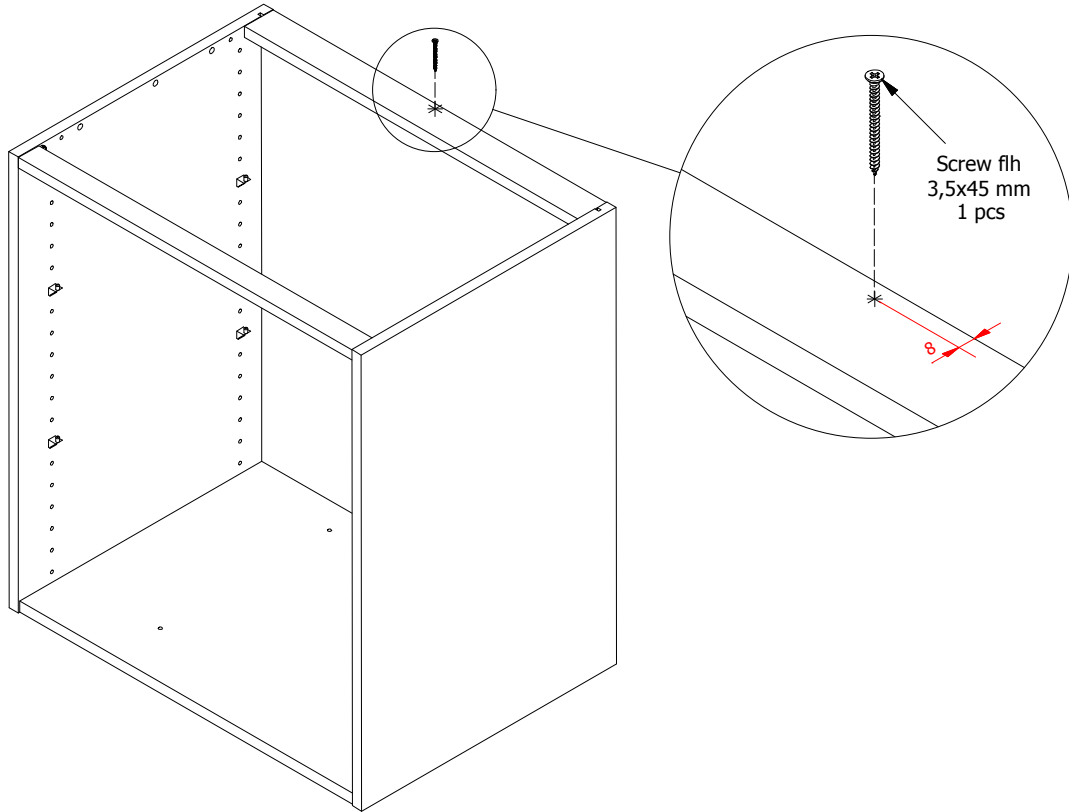


FIG. 10

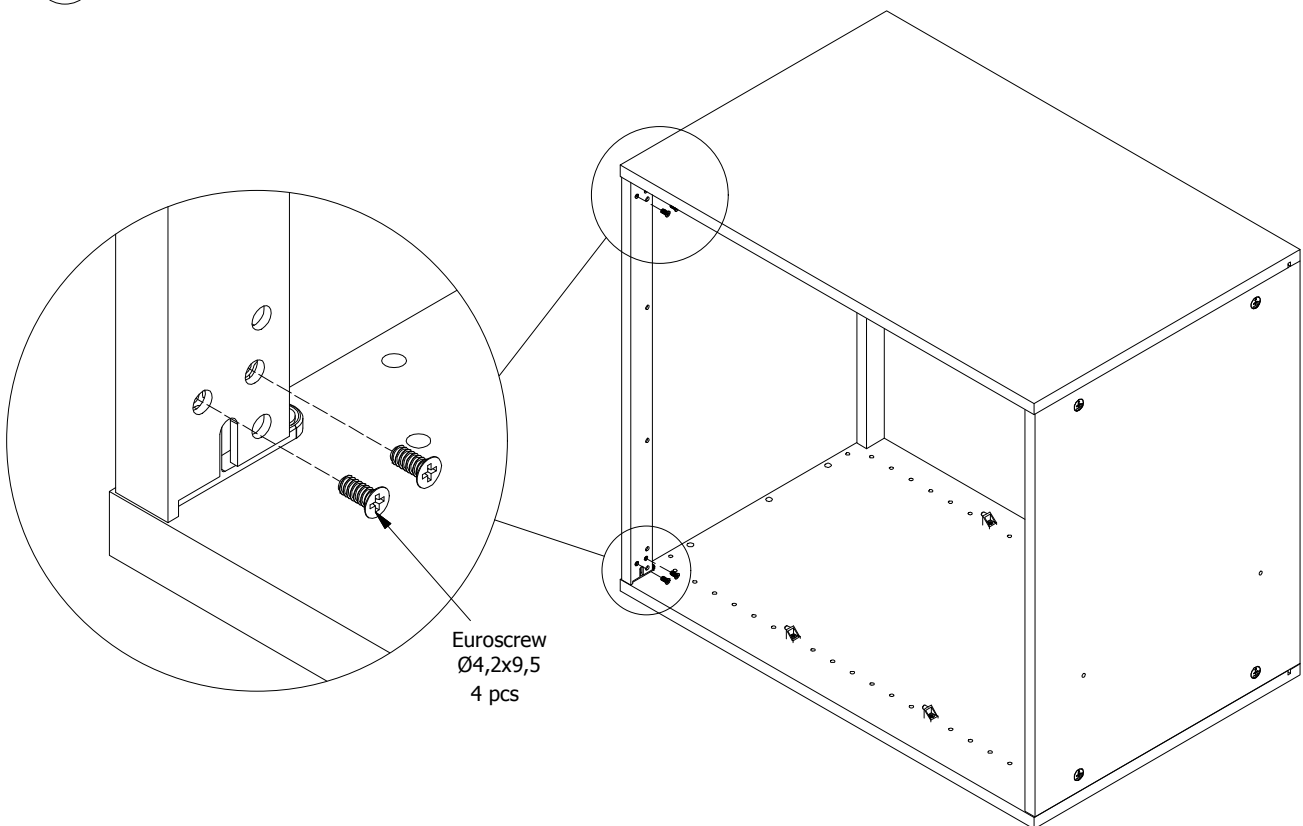


FIG. 11

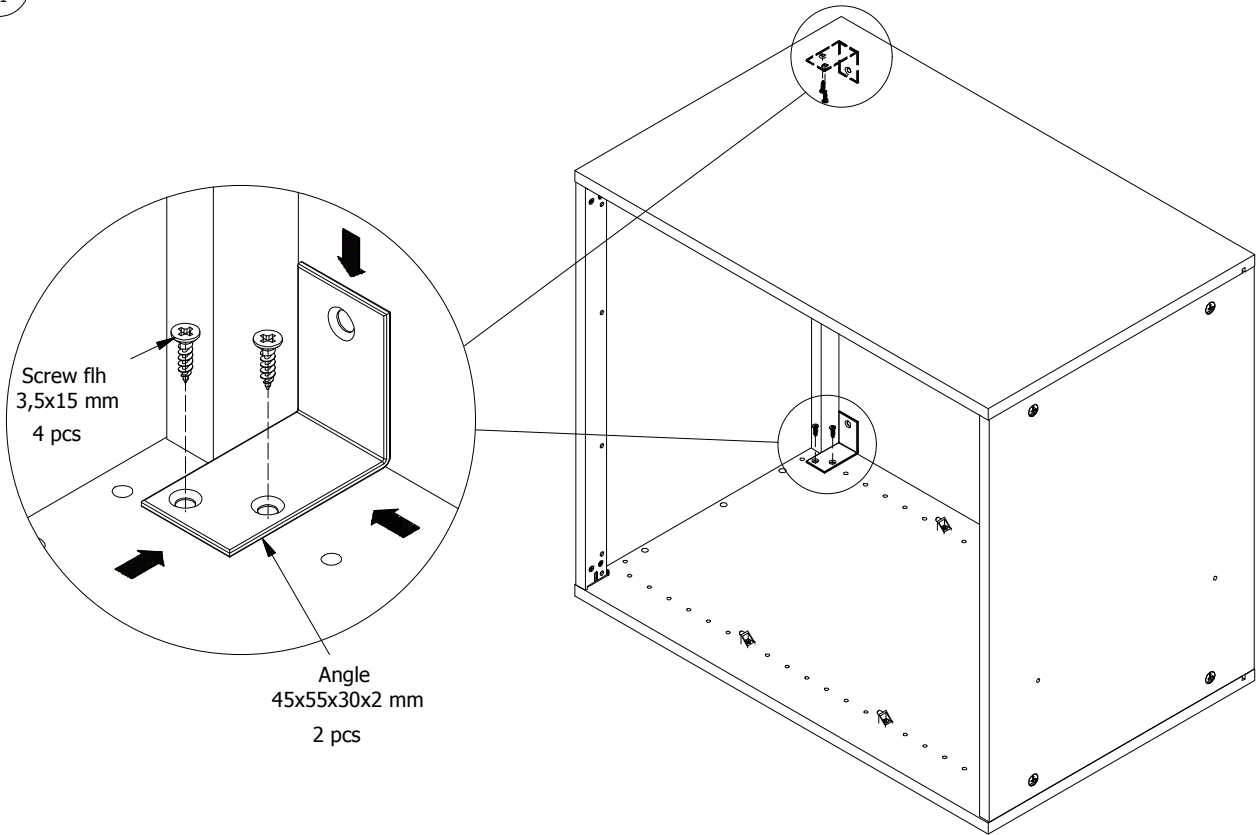


FIG. 12

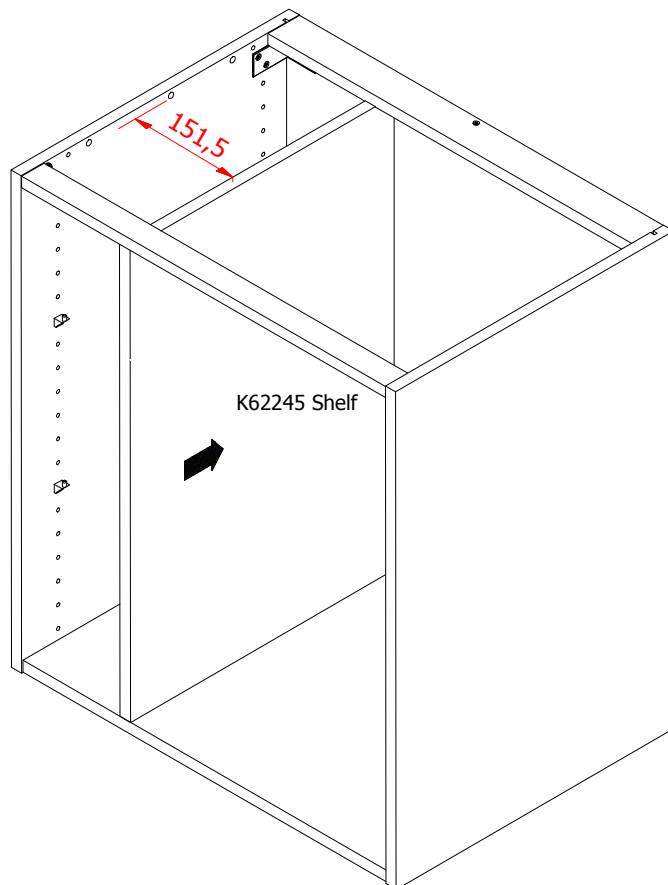


FIG. 13

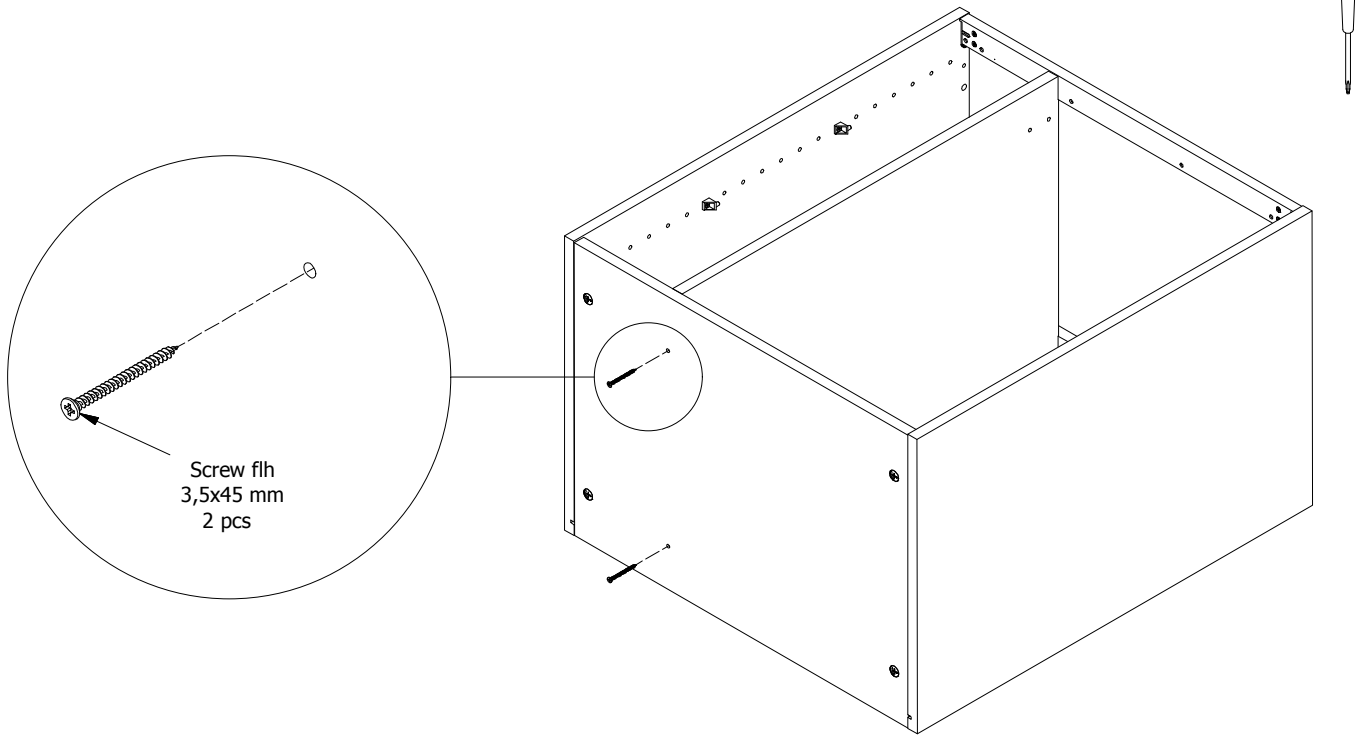


Fig 14

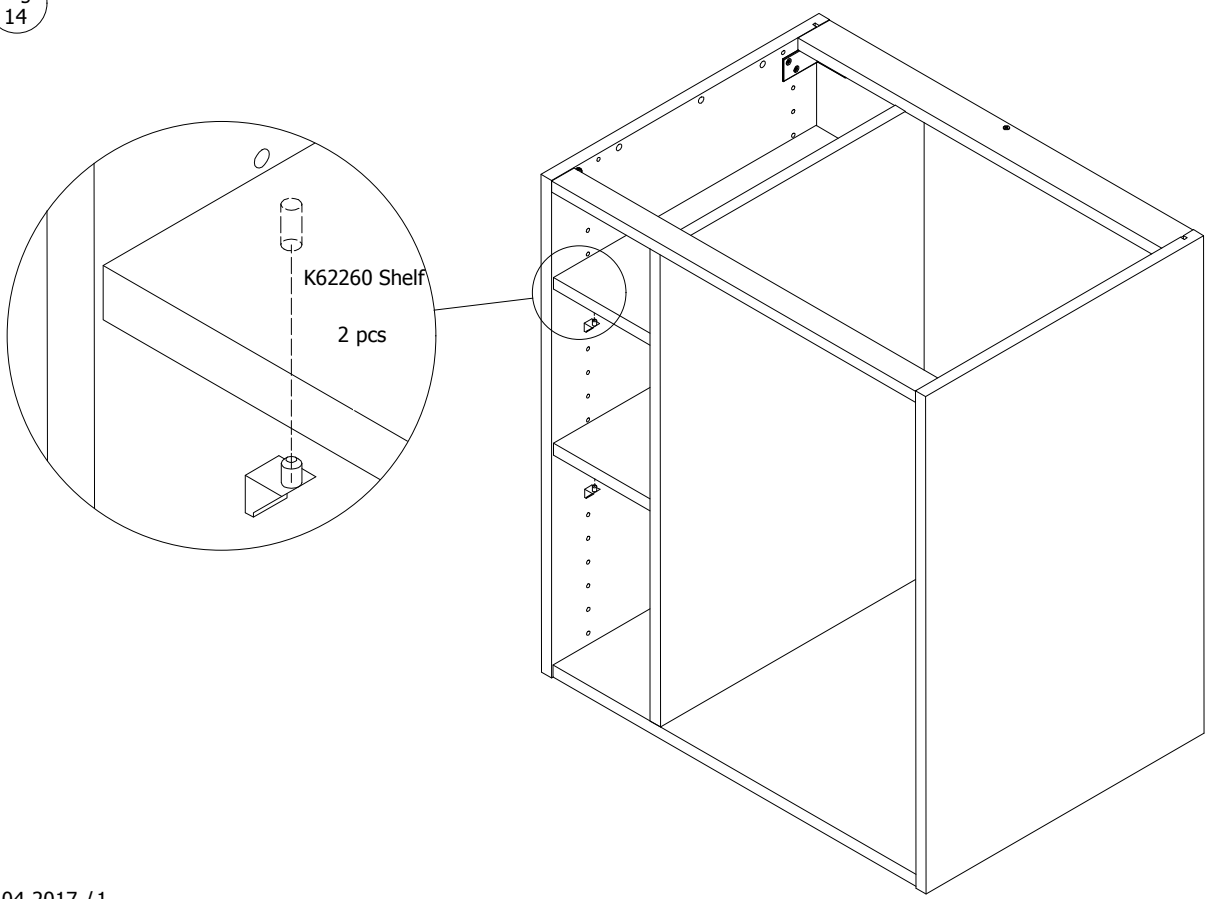


Fig 15

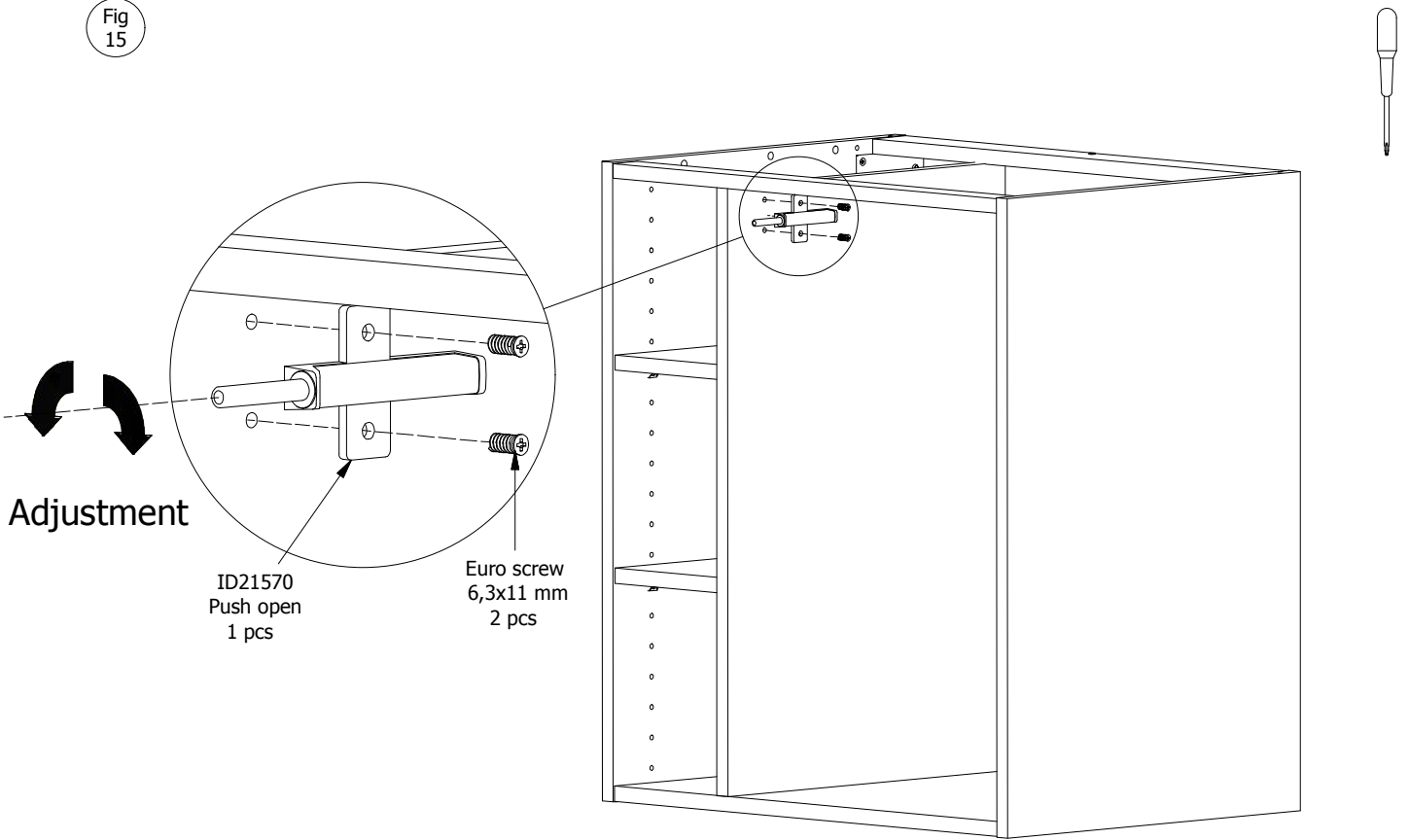


Fig 16

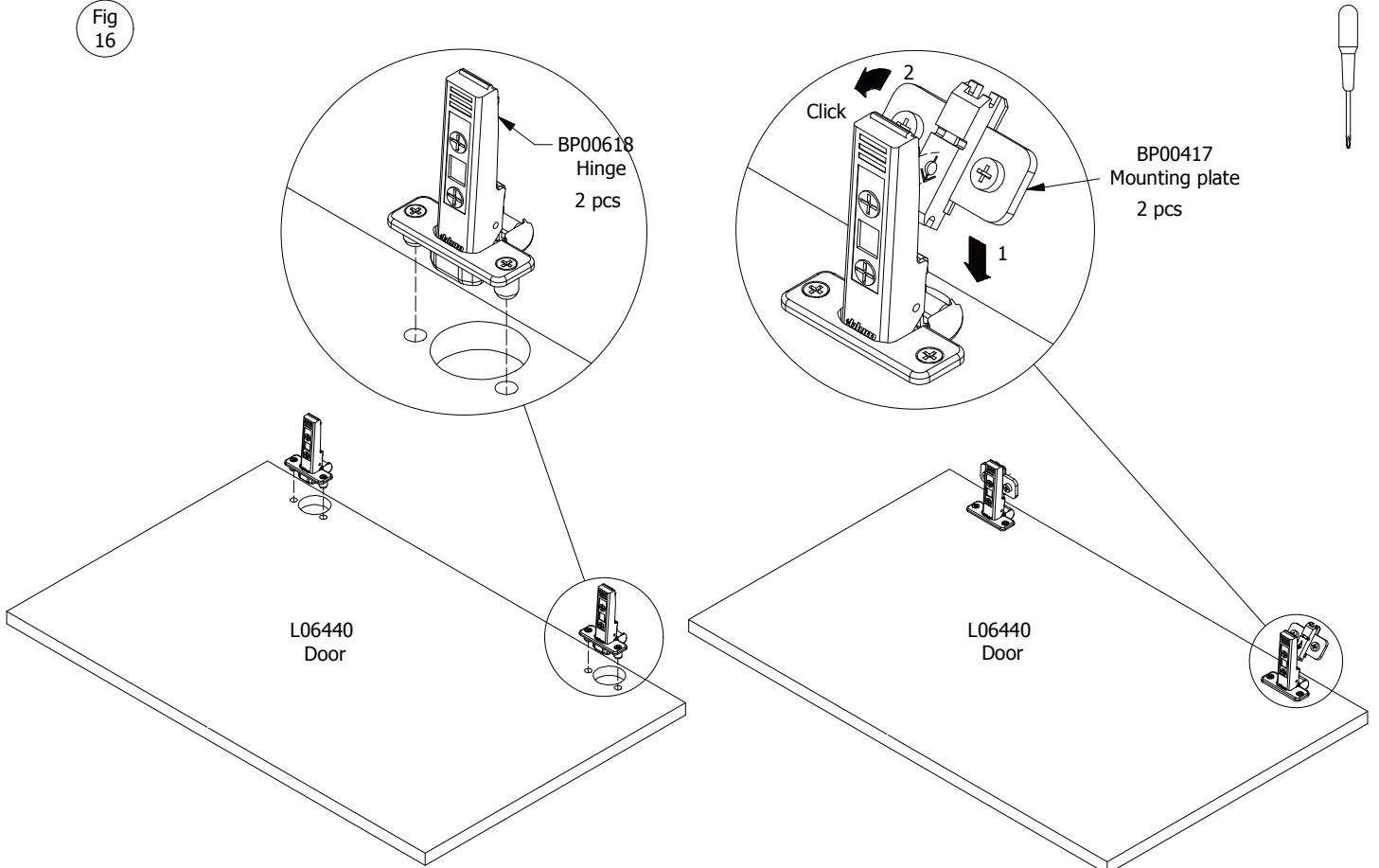
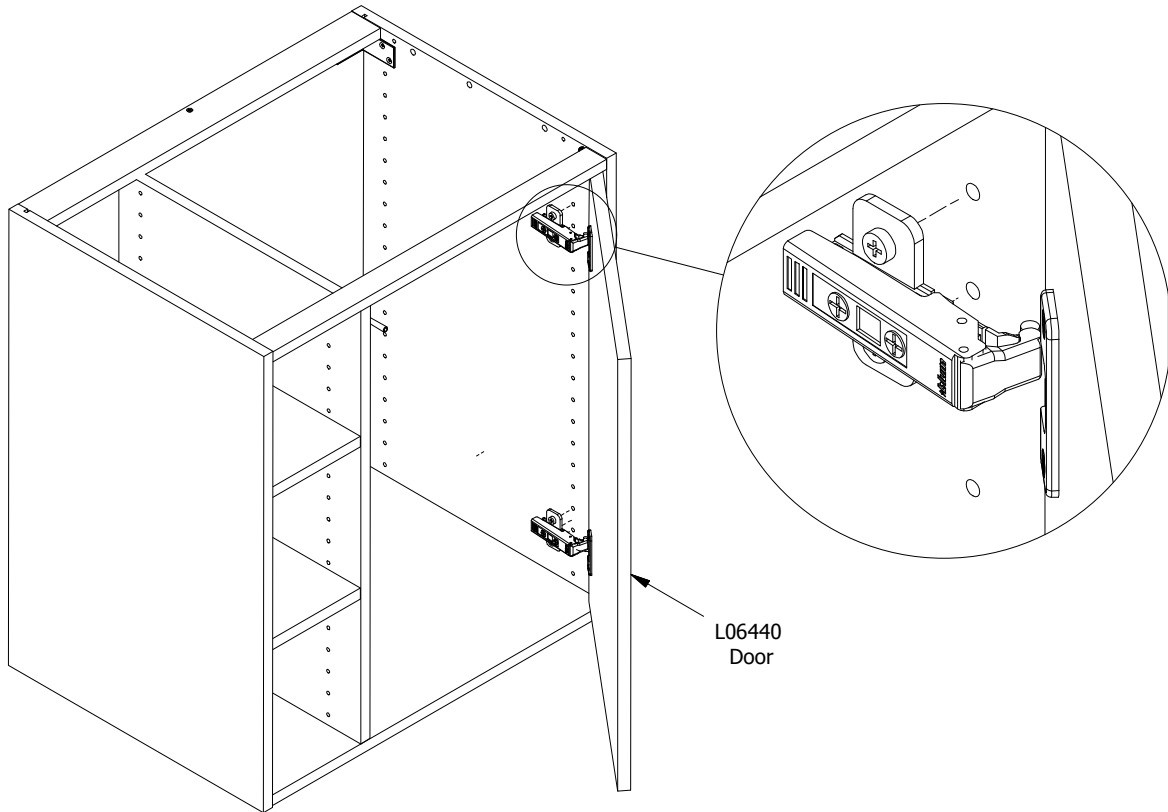


Fig
17



Adjustment

