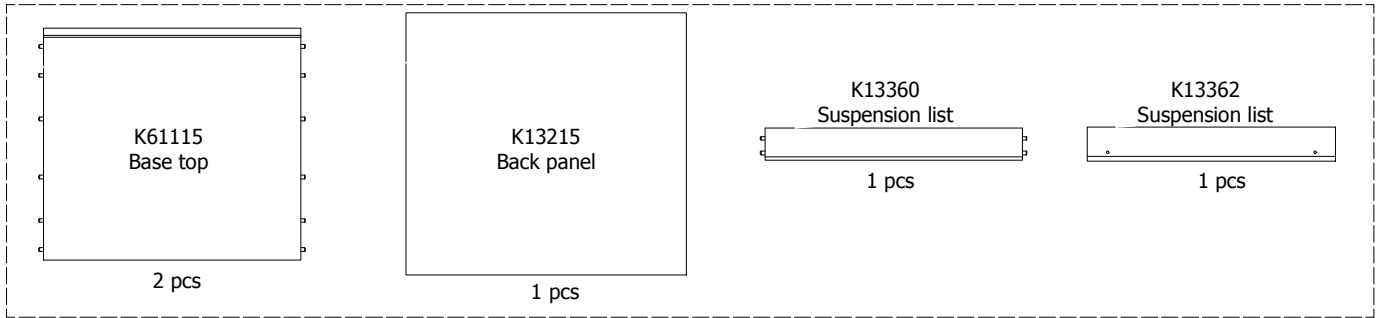


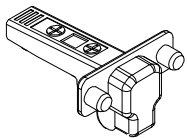
kvik

DBU6400,060

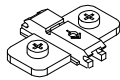
BU5160,000



US6451,000



BP00418
Hinge 107 degrees
2 pcs



BP00417
Mounting plate
2 pcs

BP00250-BP00260

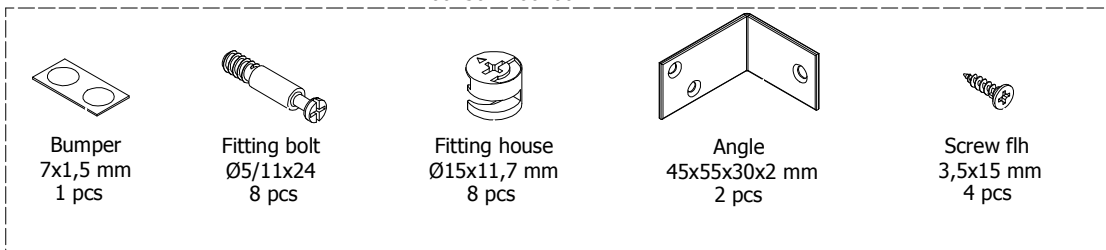


FIG. 1

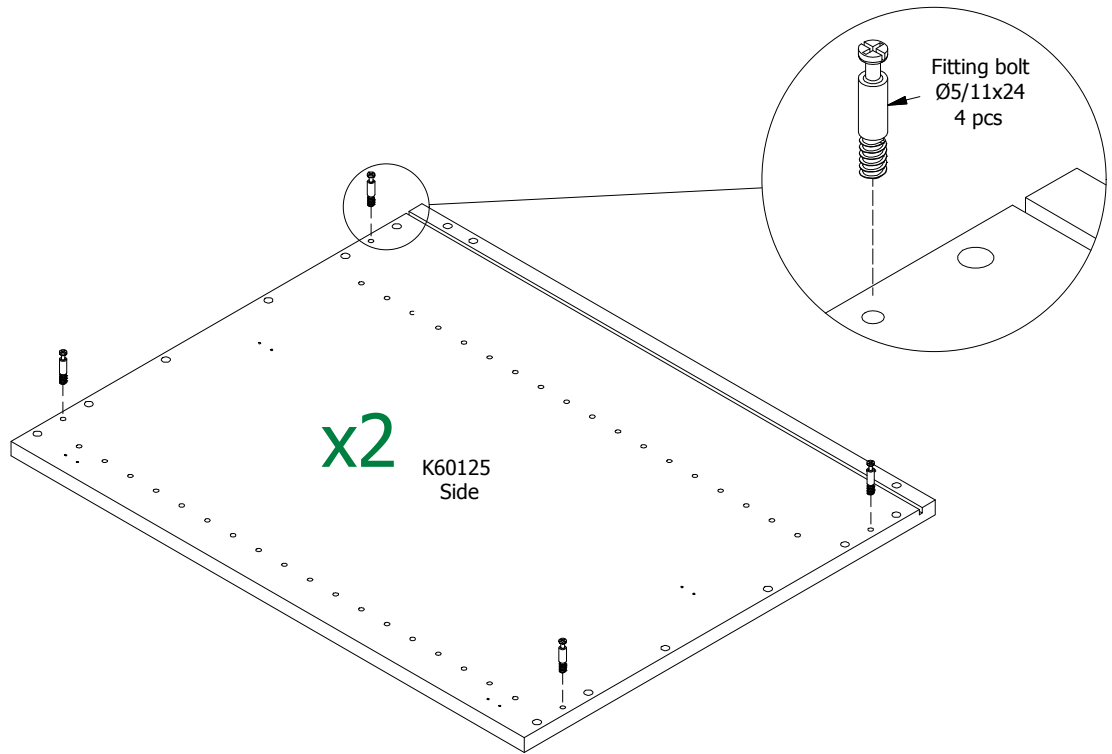


FIG. 2

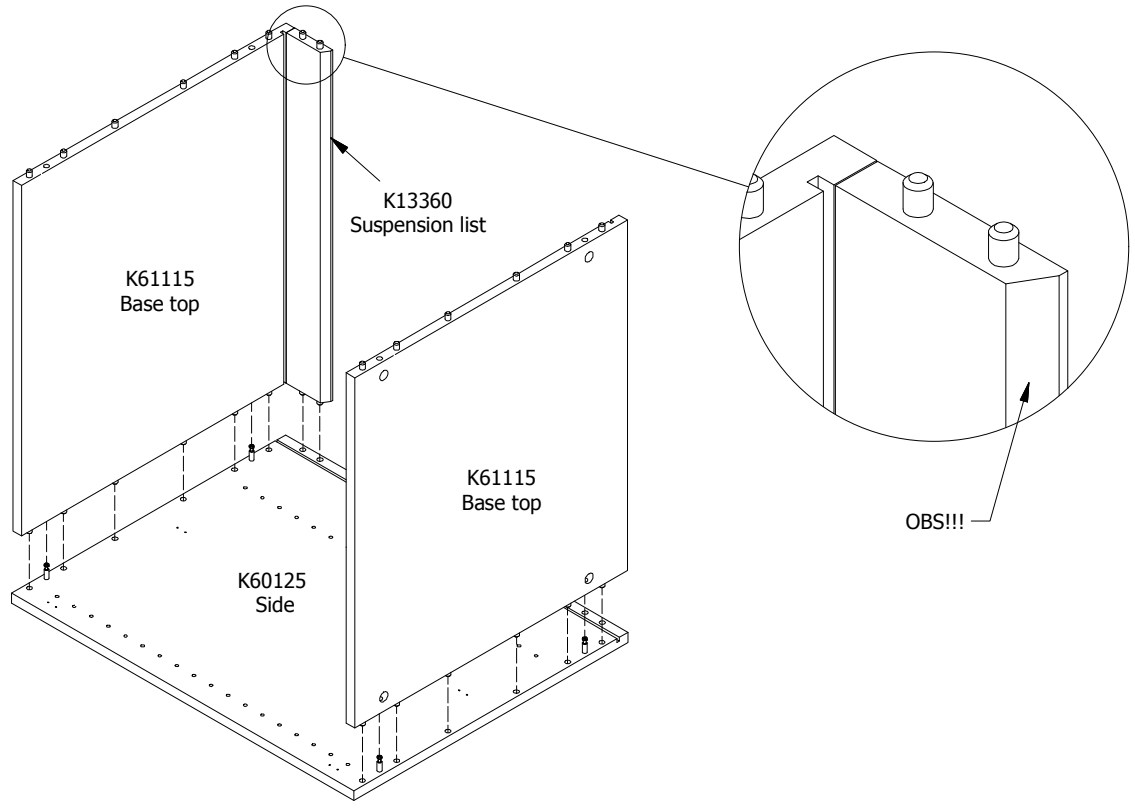


FIG.
3

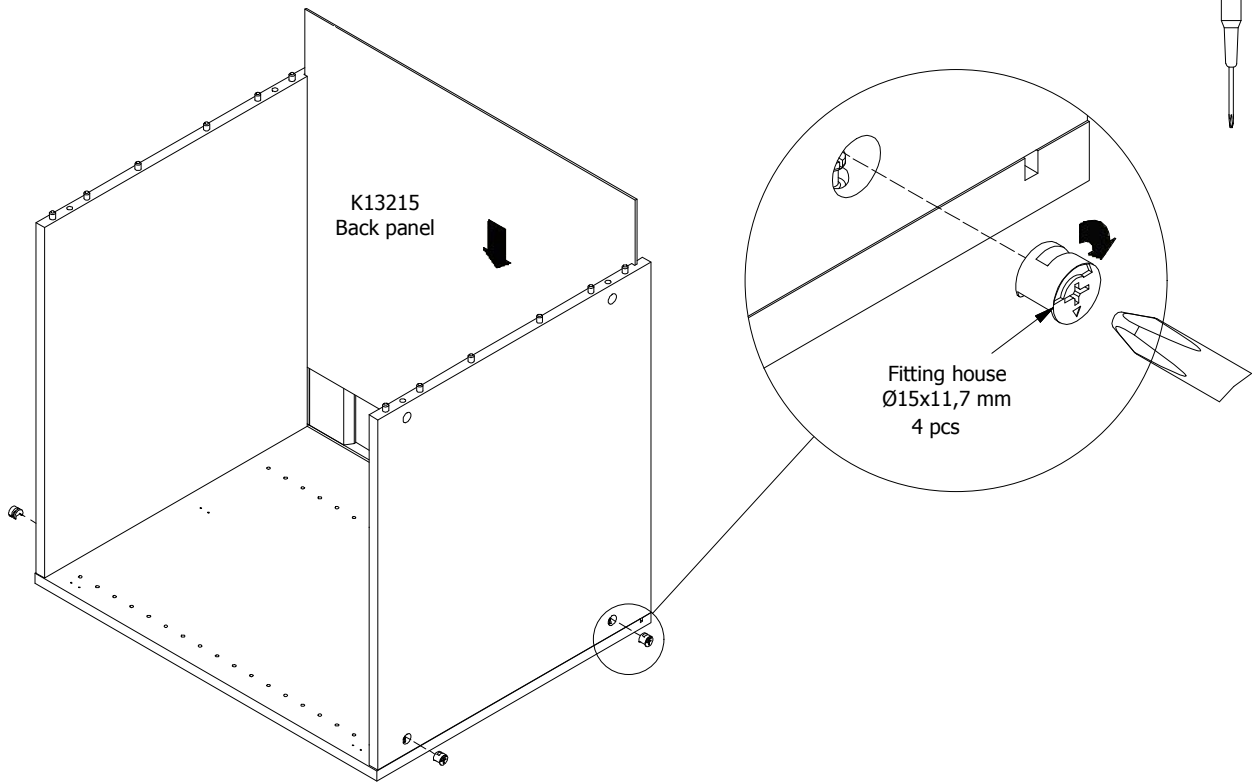


FIG.
4

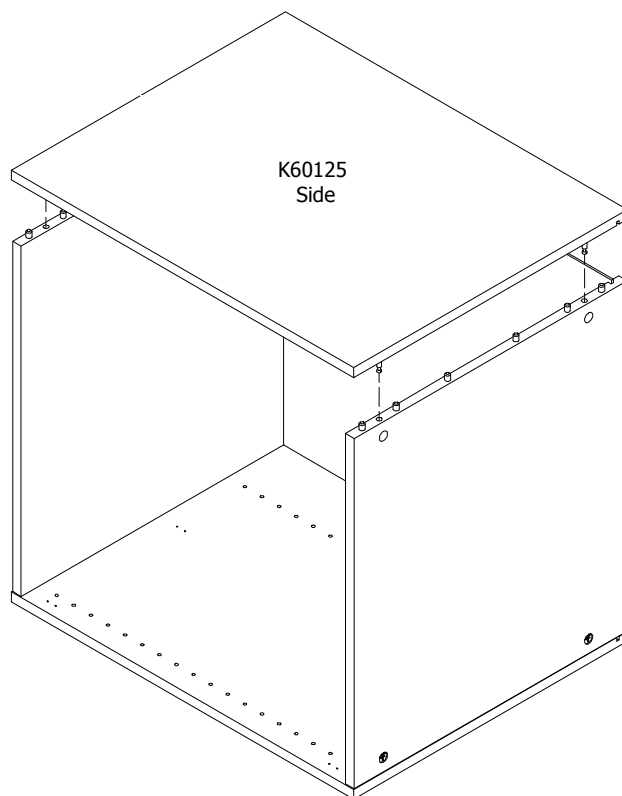


FIG. 5

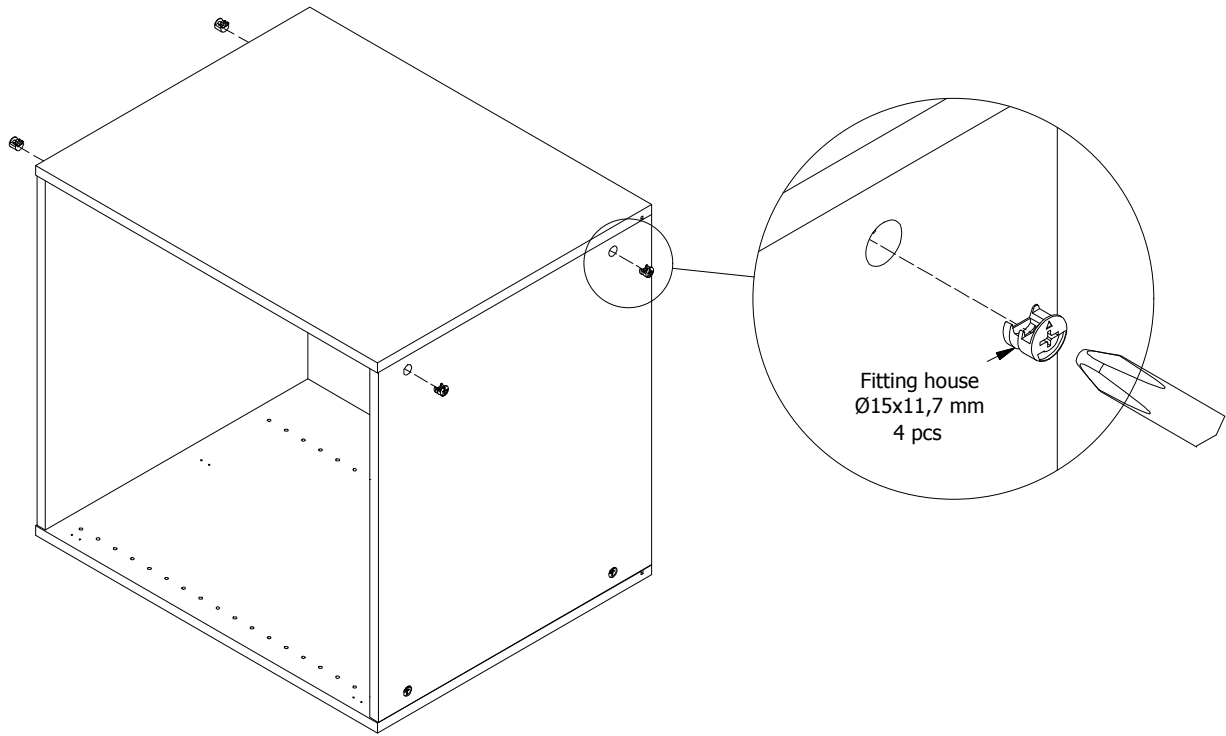


FIG. 6

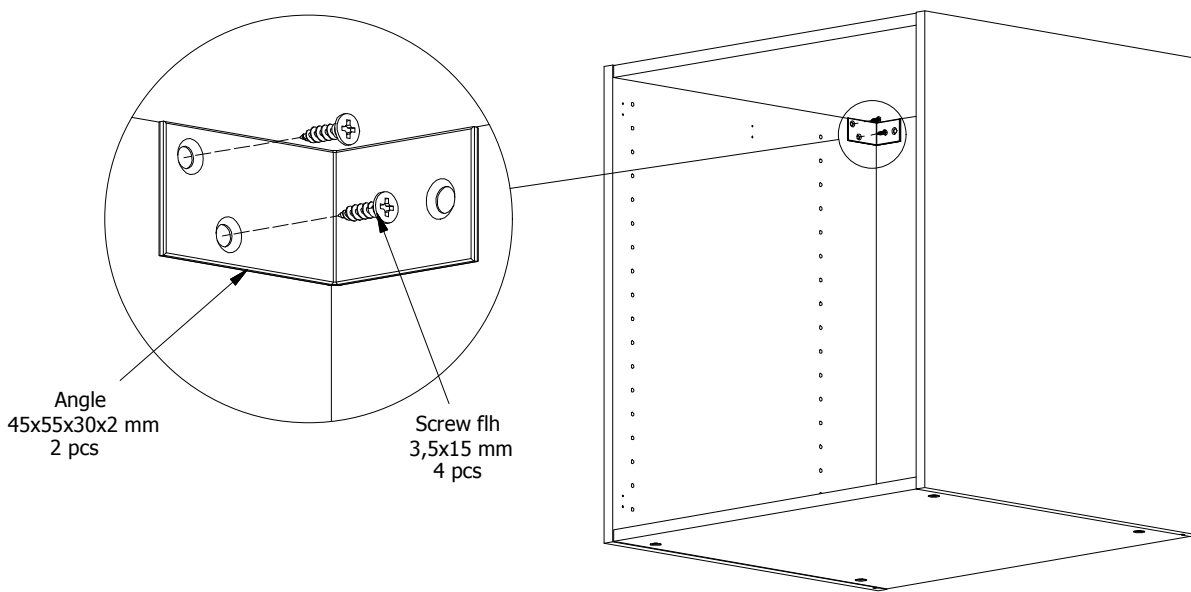


FIG. 7

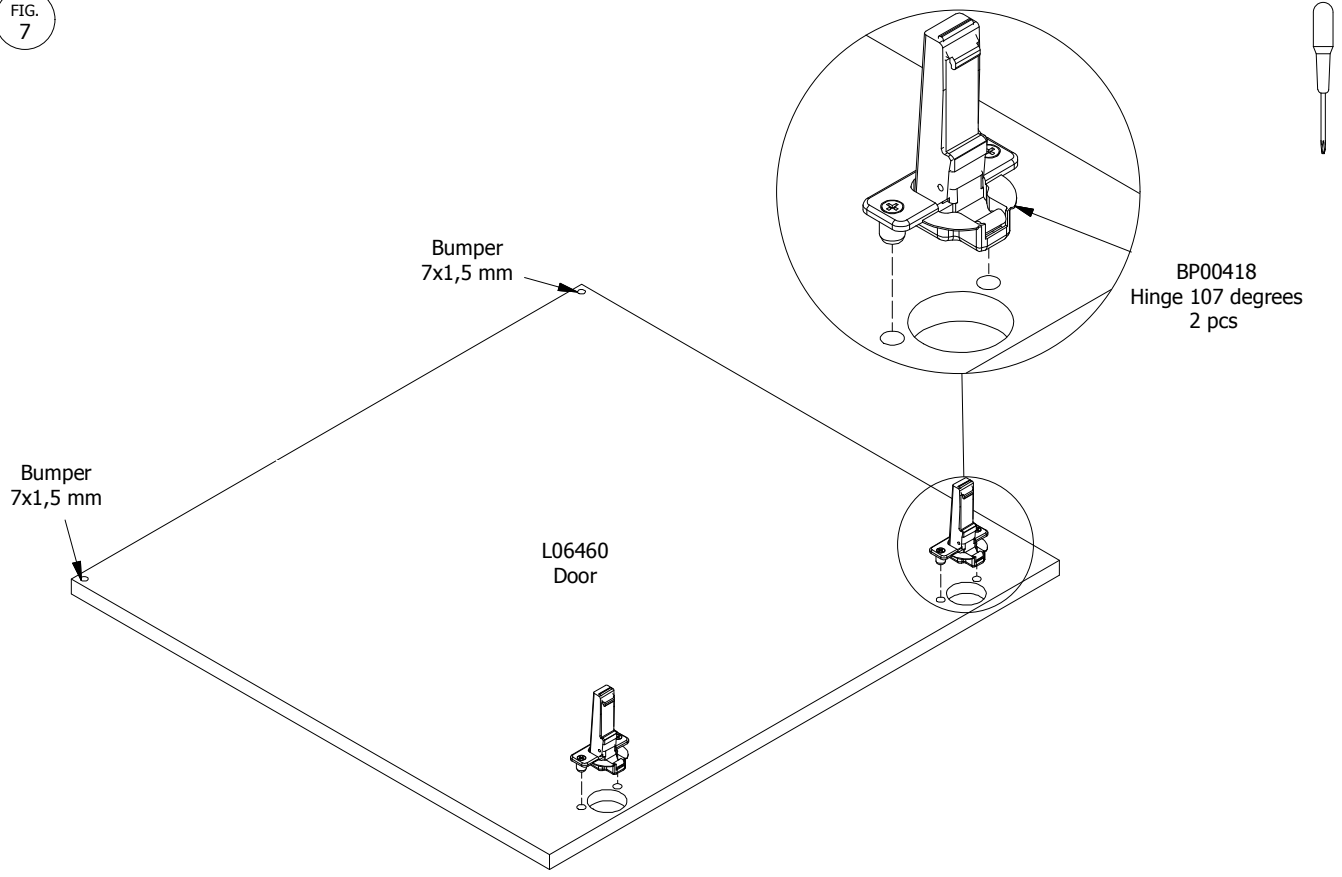


FIG. 8

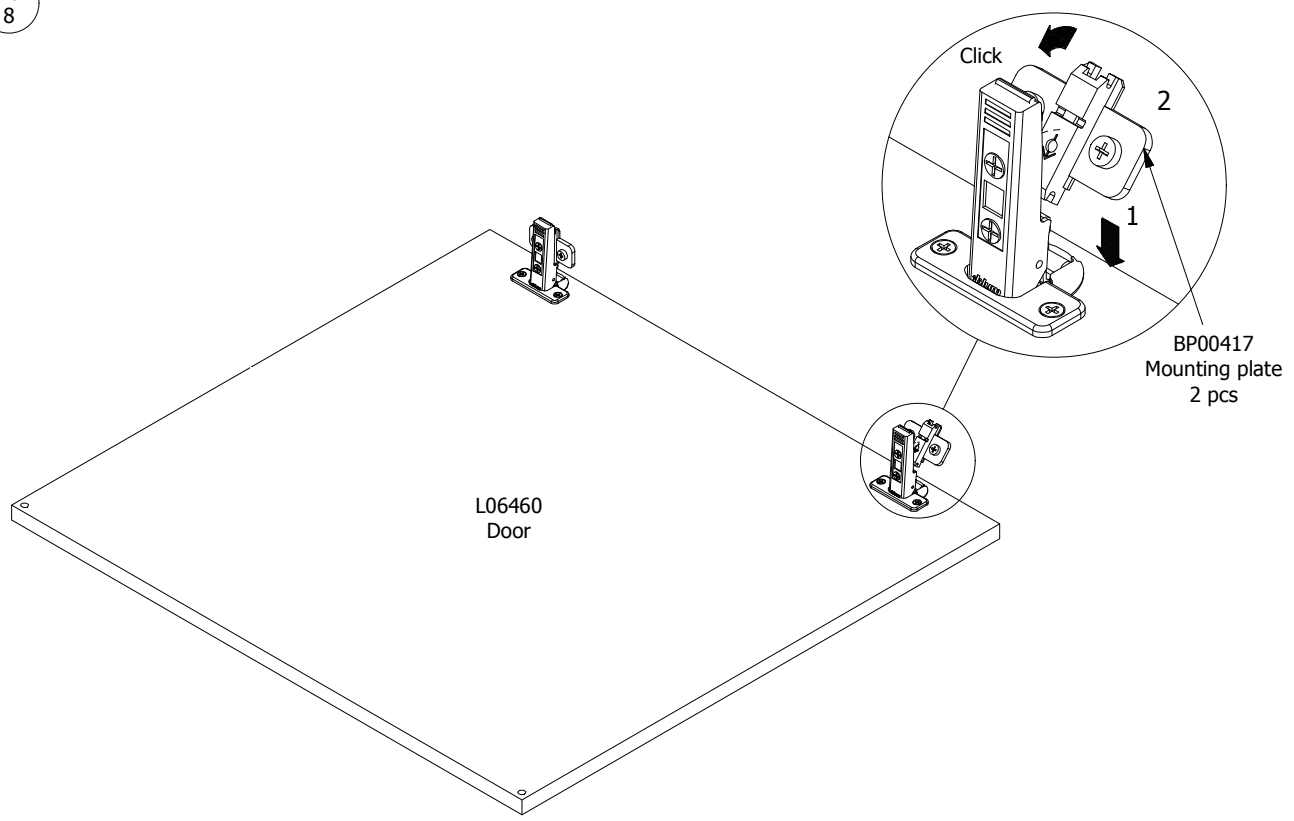


FIG. 9

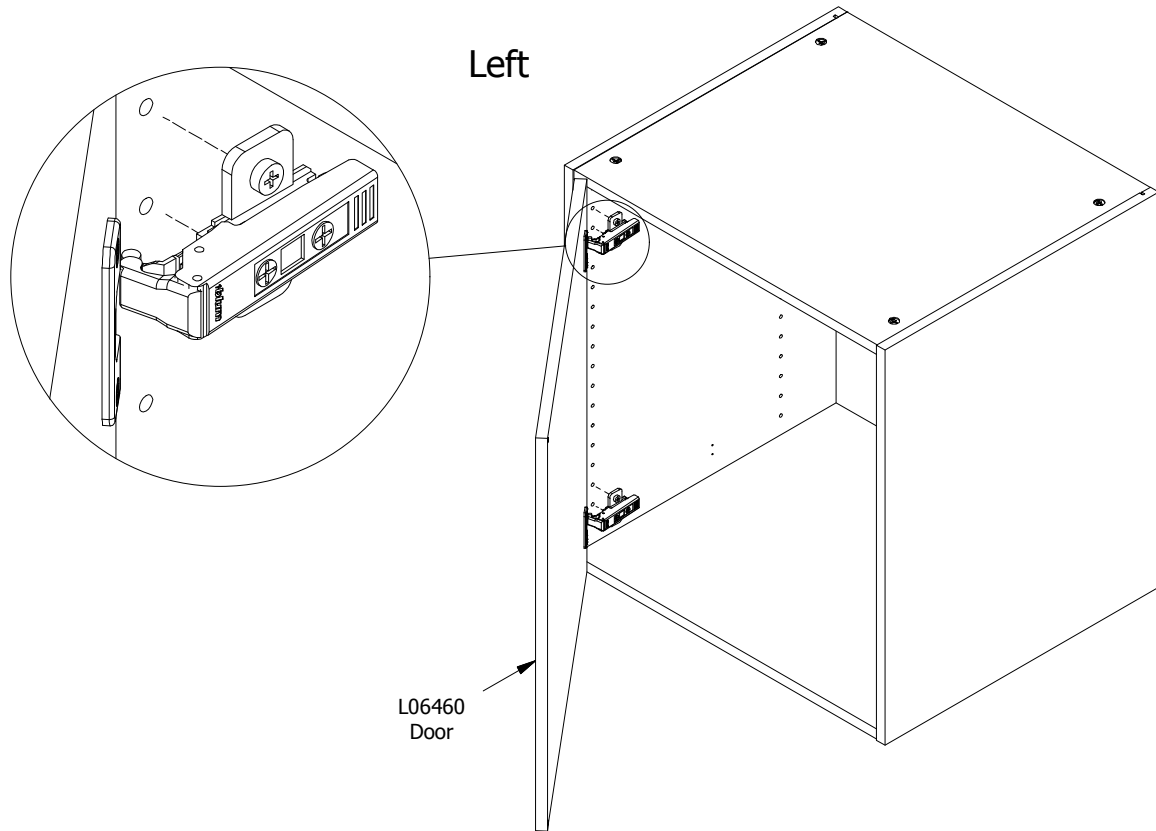
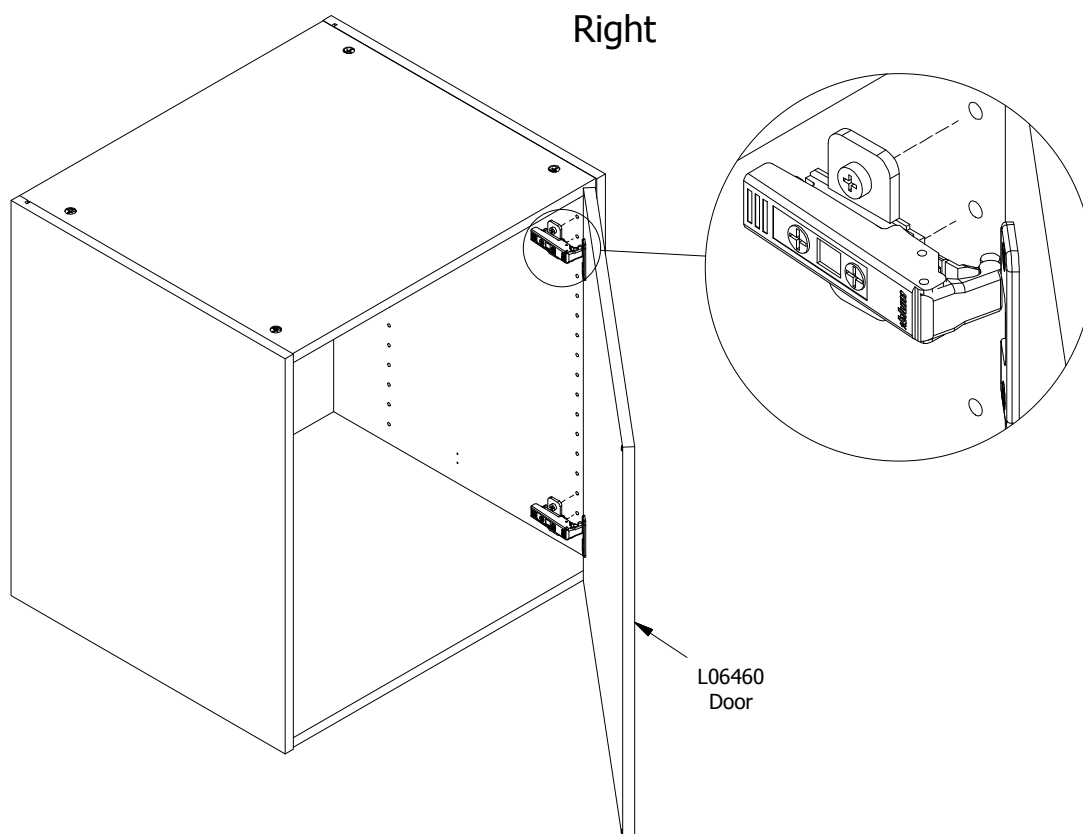
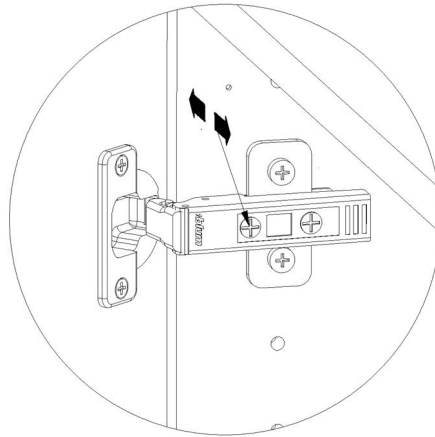
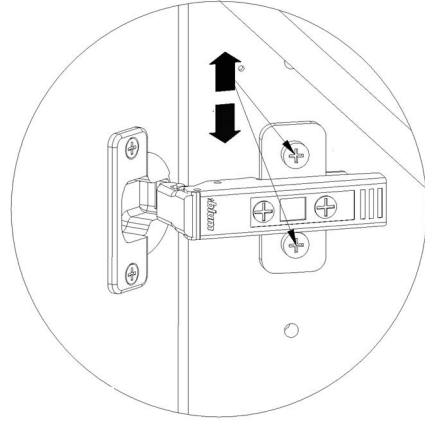
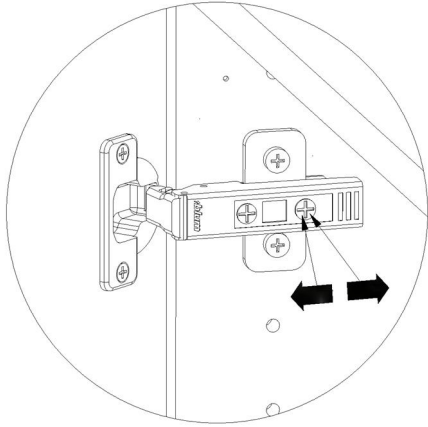
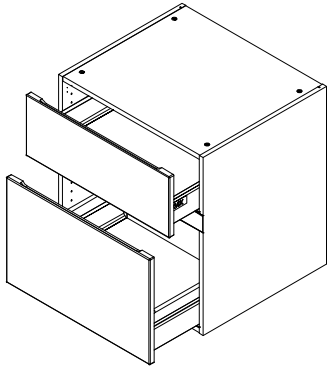


FIG. 10



Adjustment

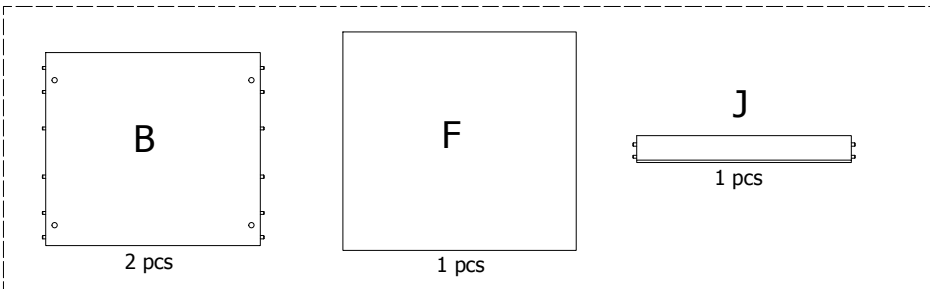




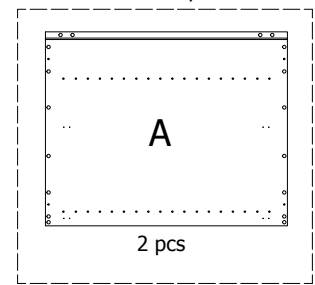
kvik 

DBU6425,060,228-229

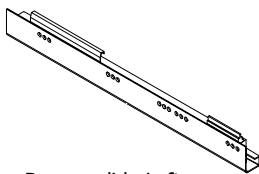
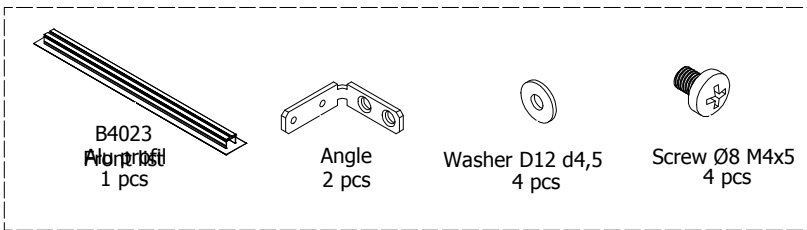
BU51,000**



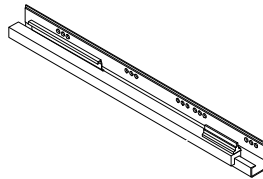
US6451,000



B40**



Drawer slide Left
450
2 pcs



Drawer slide right
450
2 pcs

BP00260-BP00250

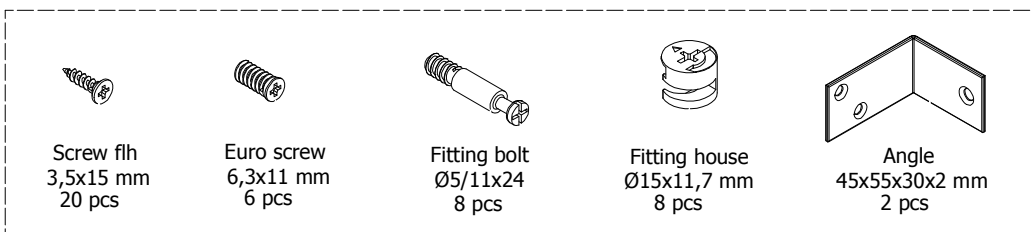


FIG. 1

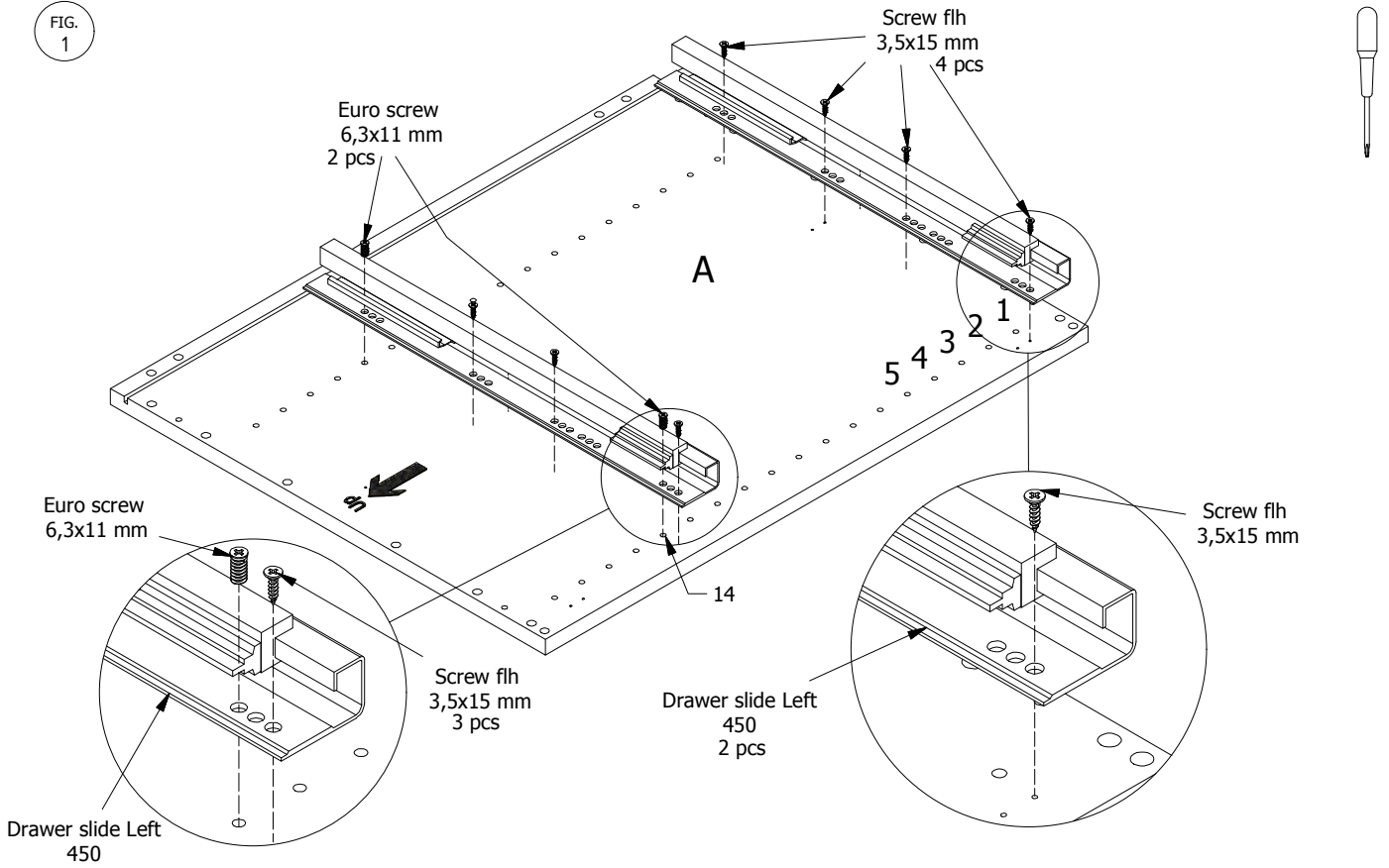


FIG. 2

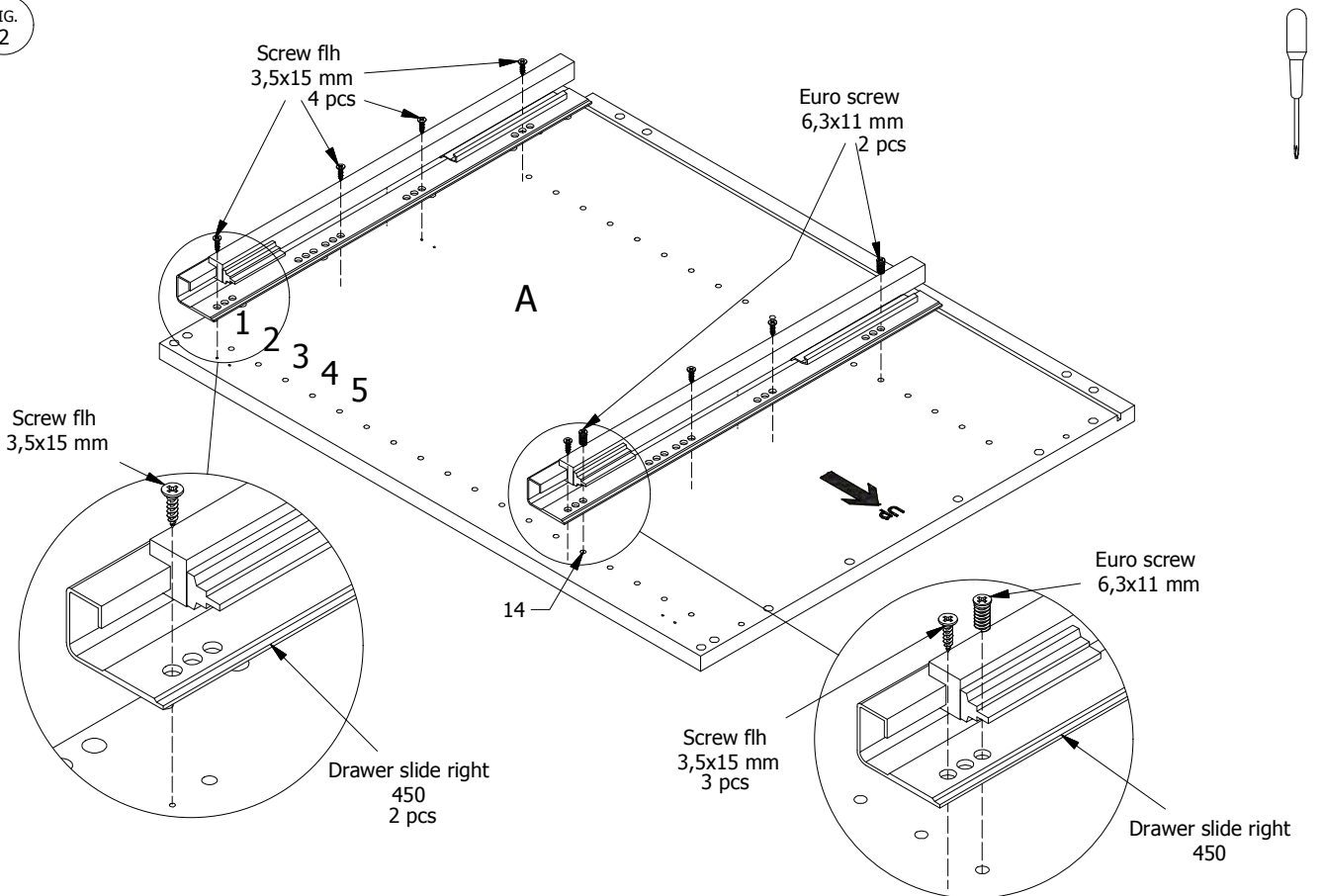


FIG. 3

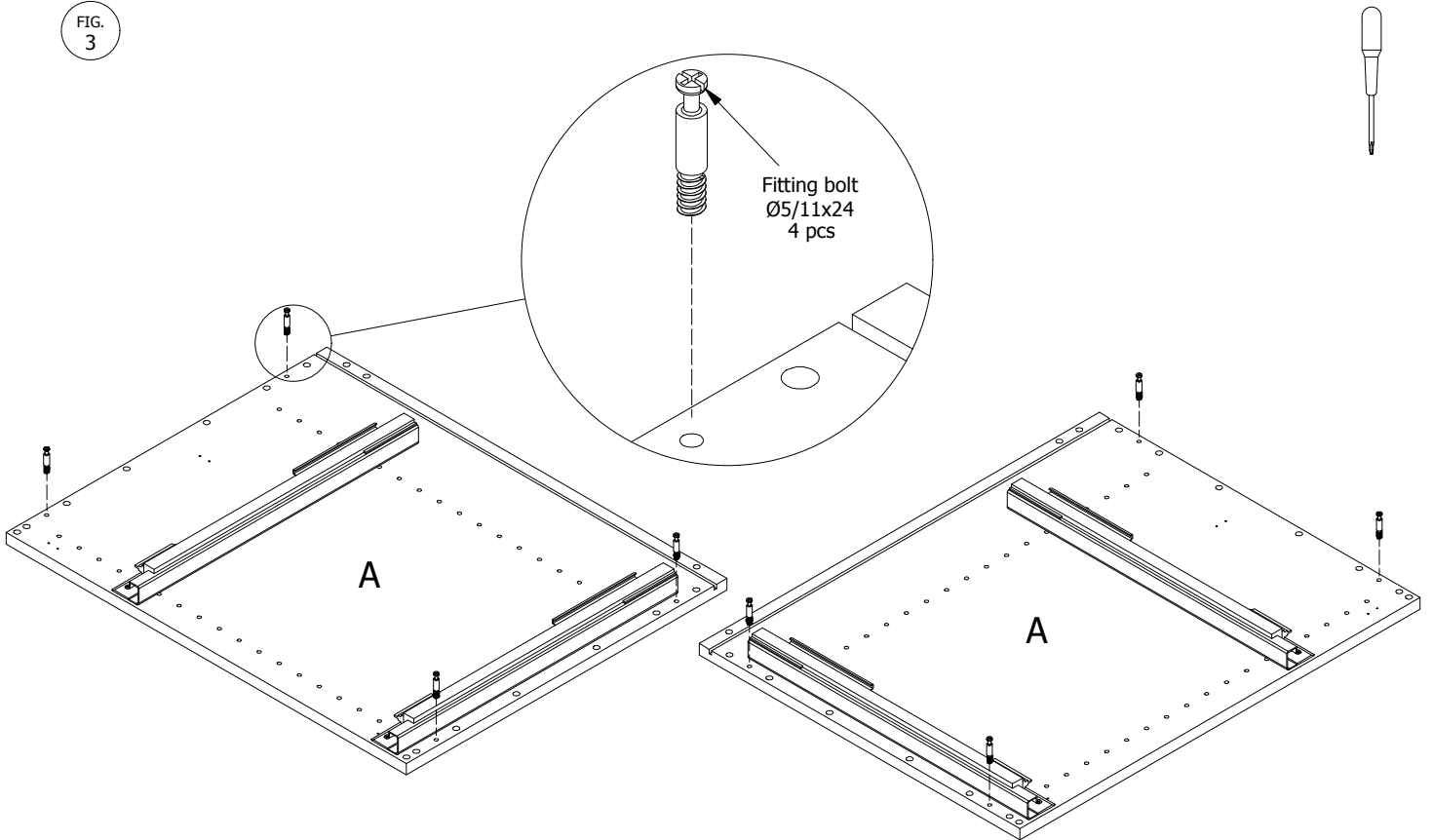


FIG. 4

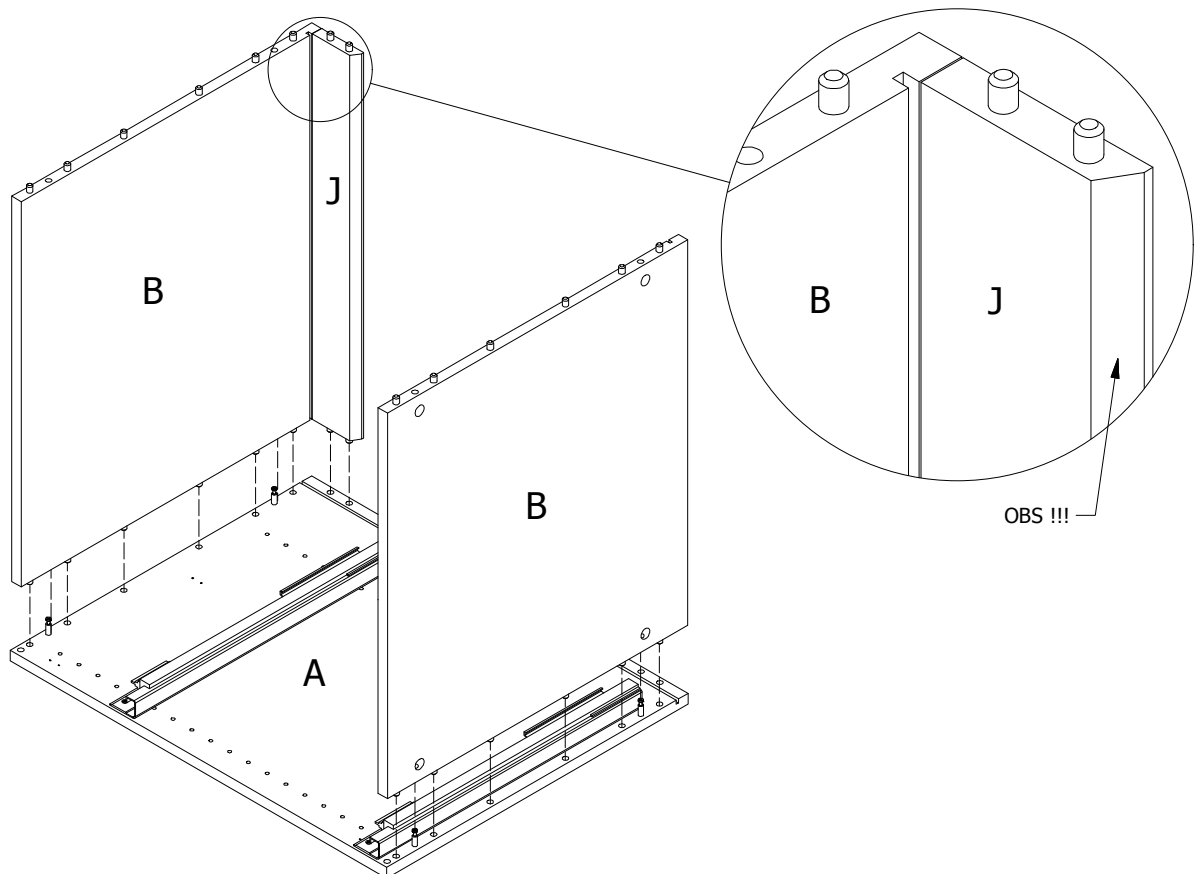


FIG.
5

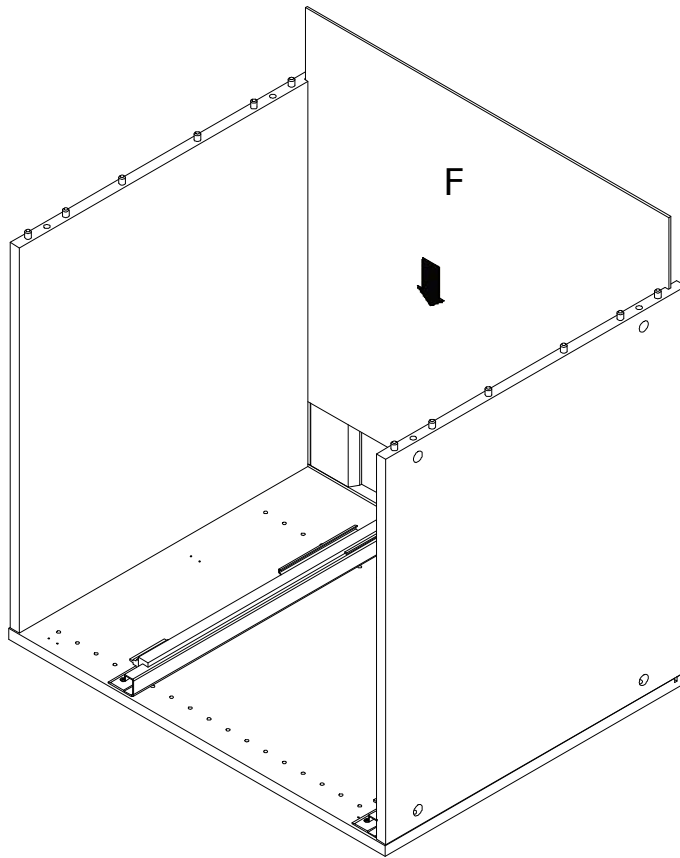


FIG.
6

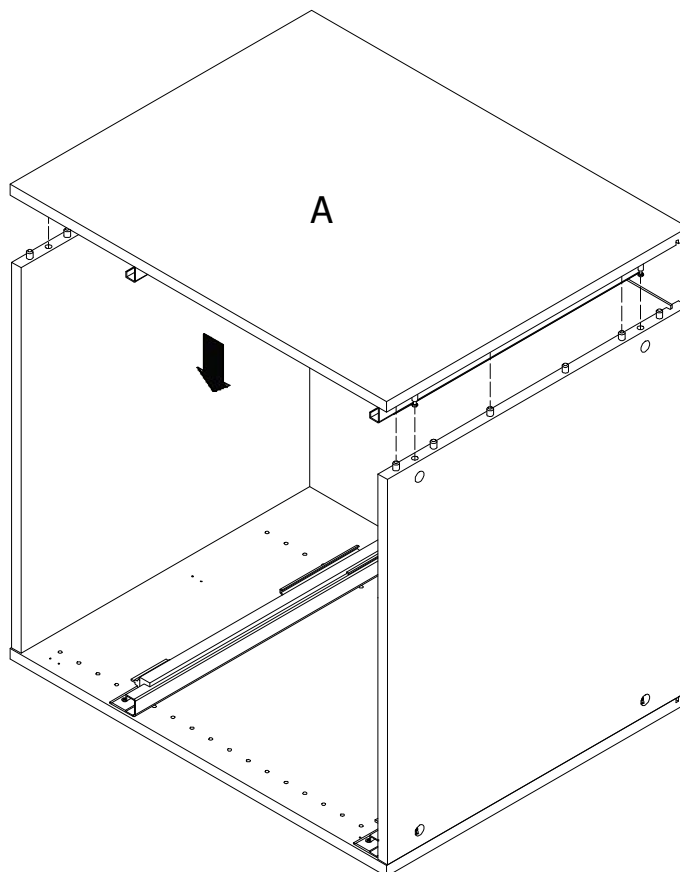


FIG. 7

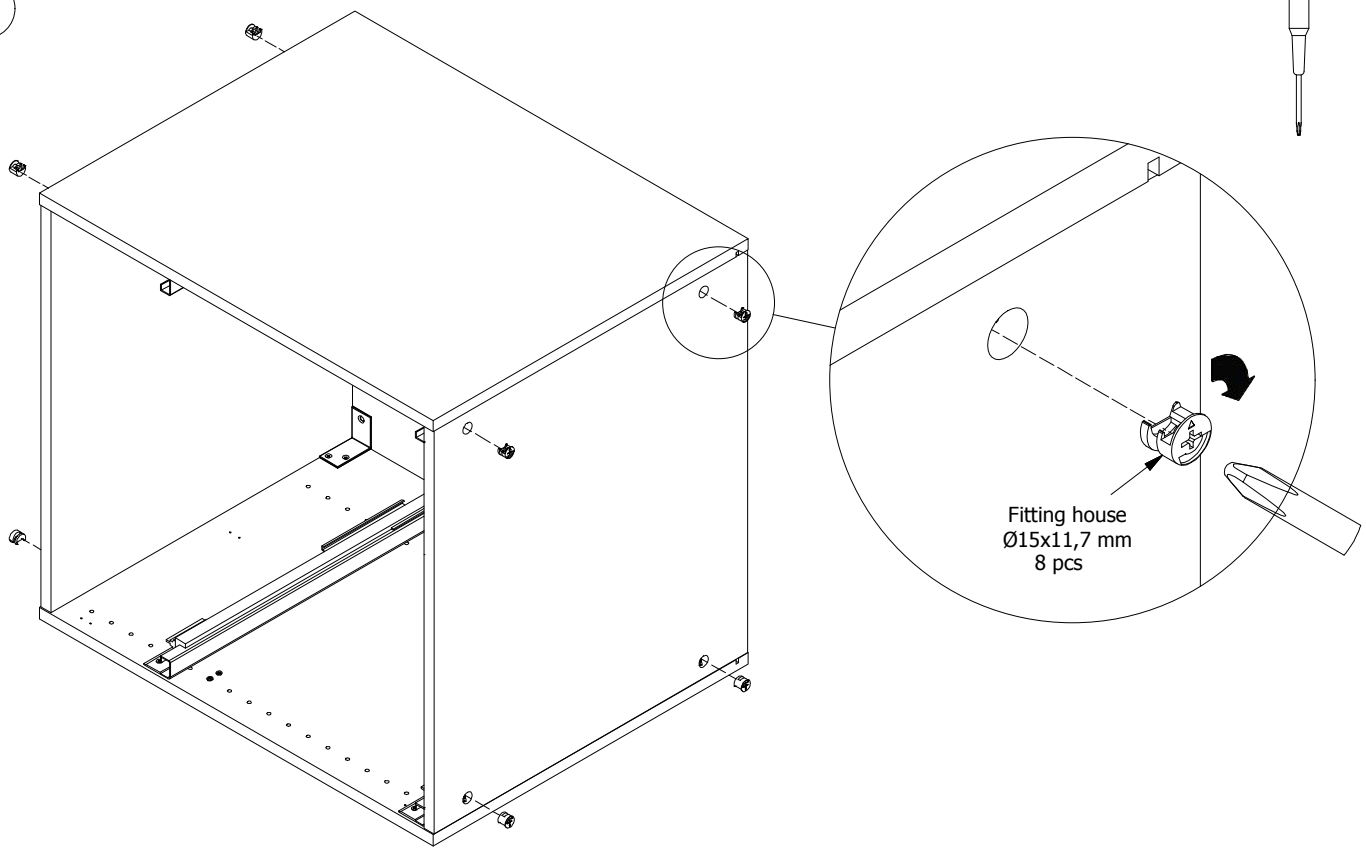


FIG. 8

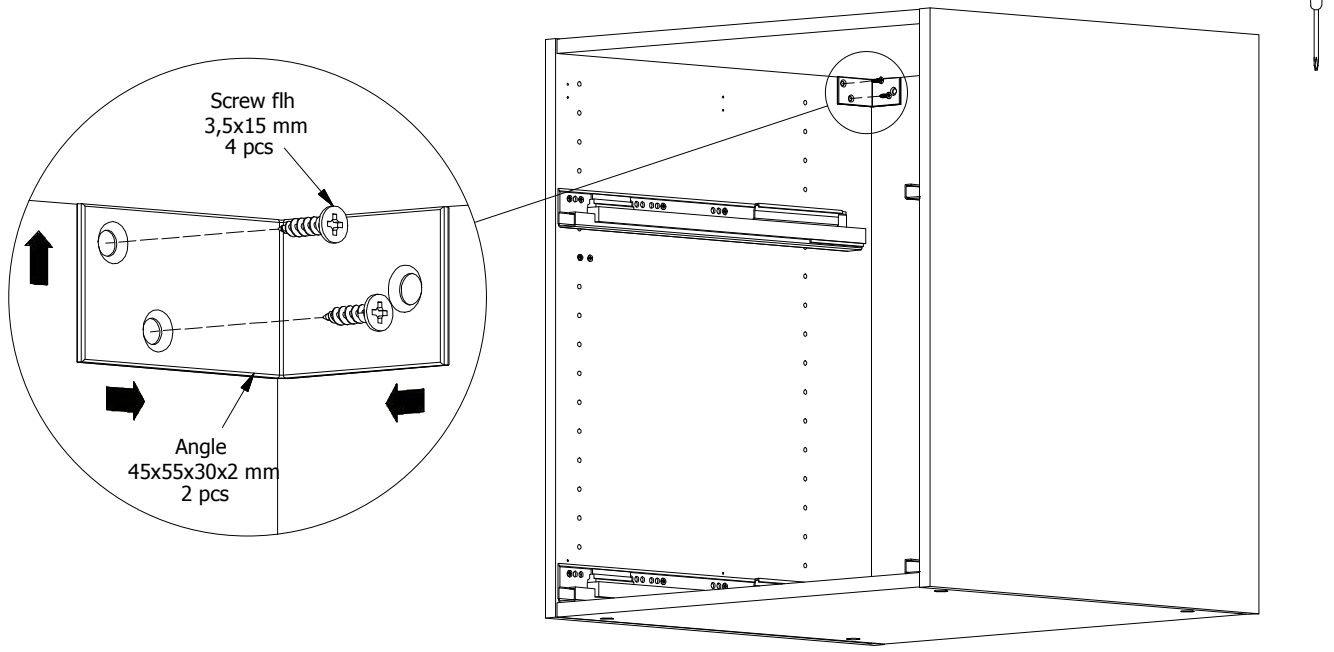


FIG. 9

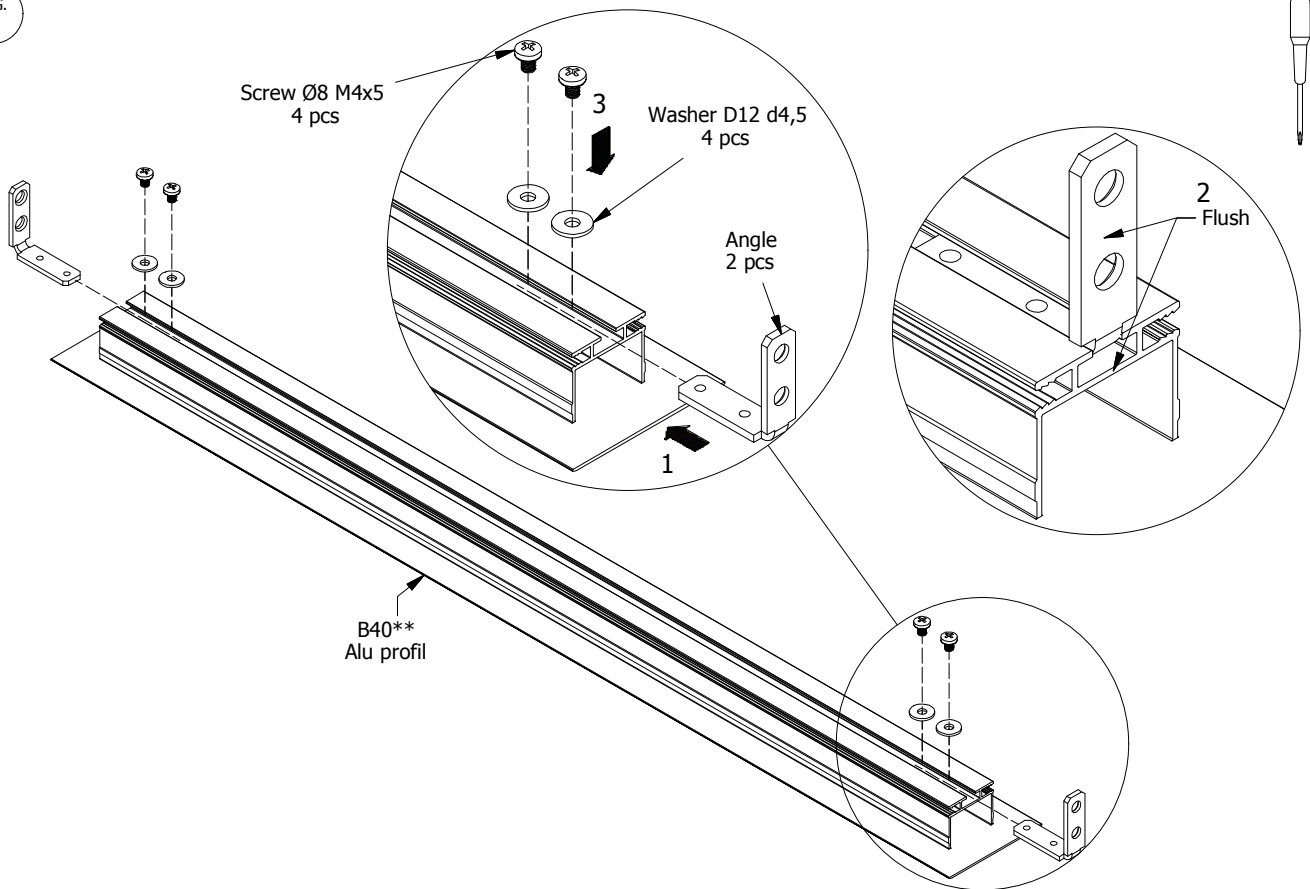
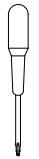


FIG. 10

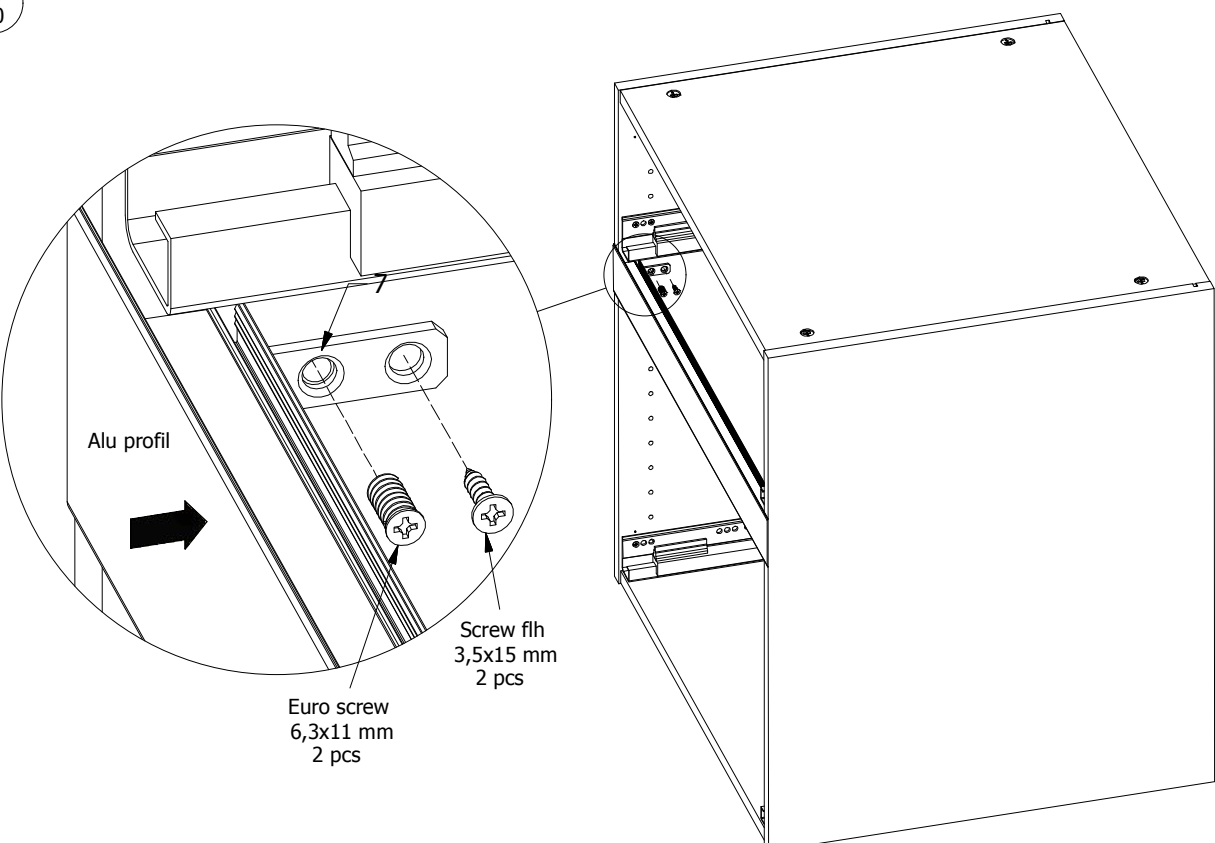


FIG.
11

