

kvik

BP00250 Hang up

NOT INCLUDED

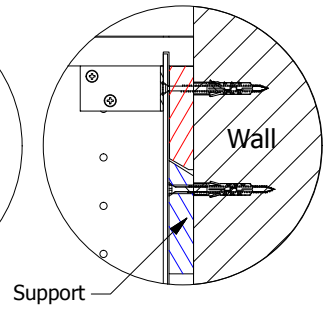
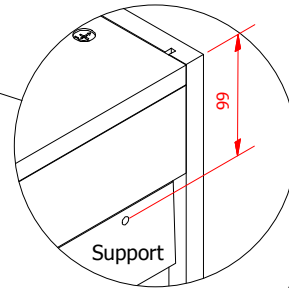
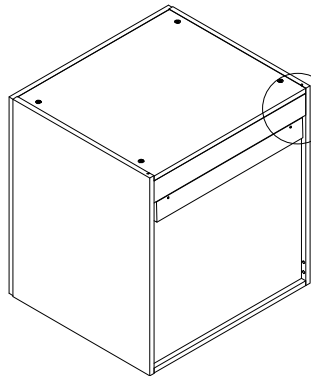
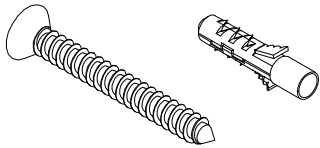


FIG. 1

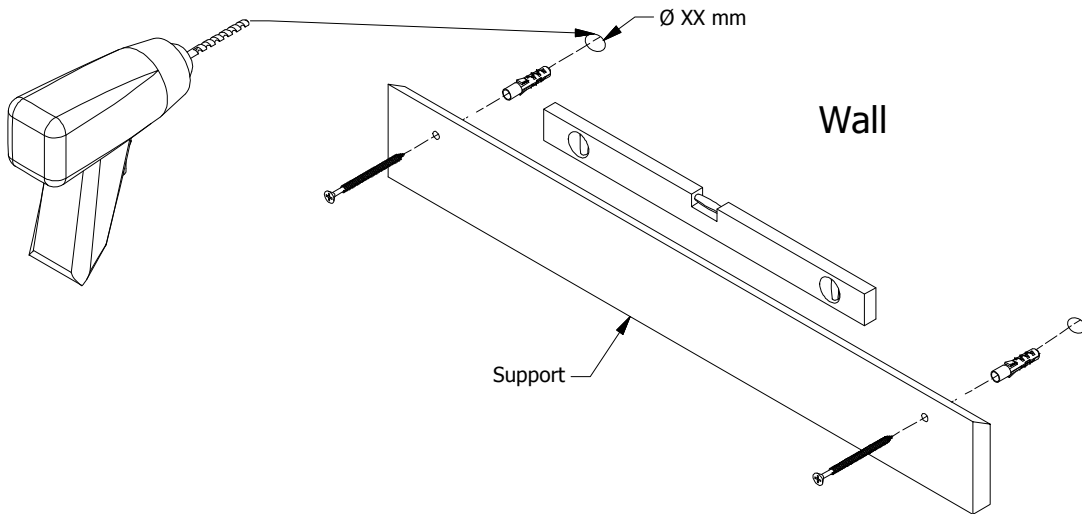
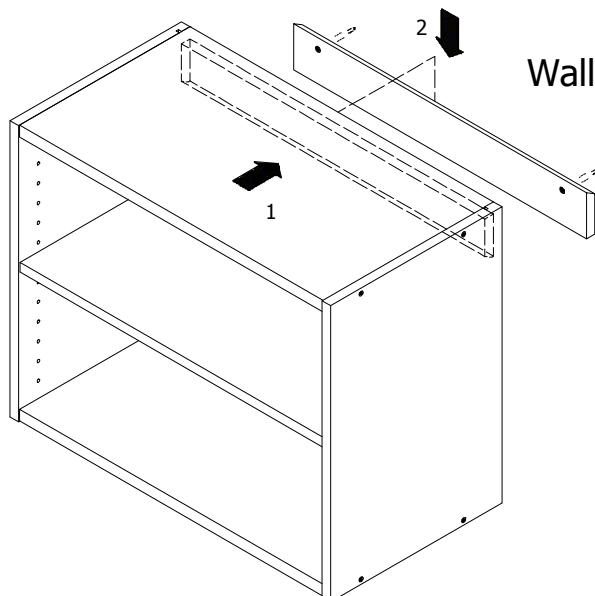


FIG. 2



BP00250 Hang up

FIG. 3

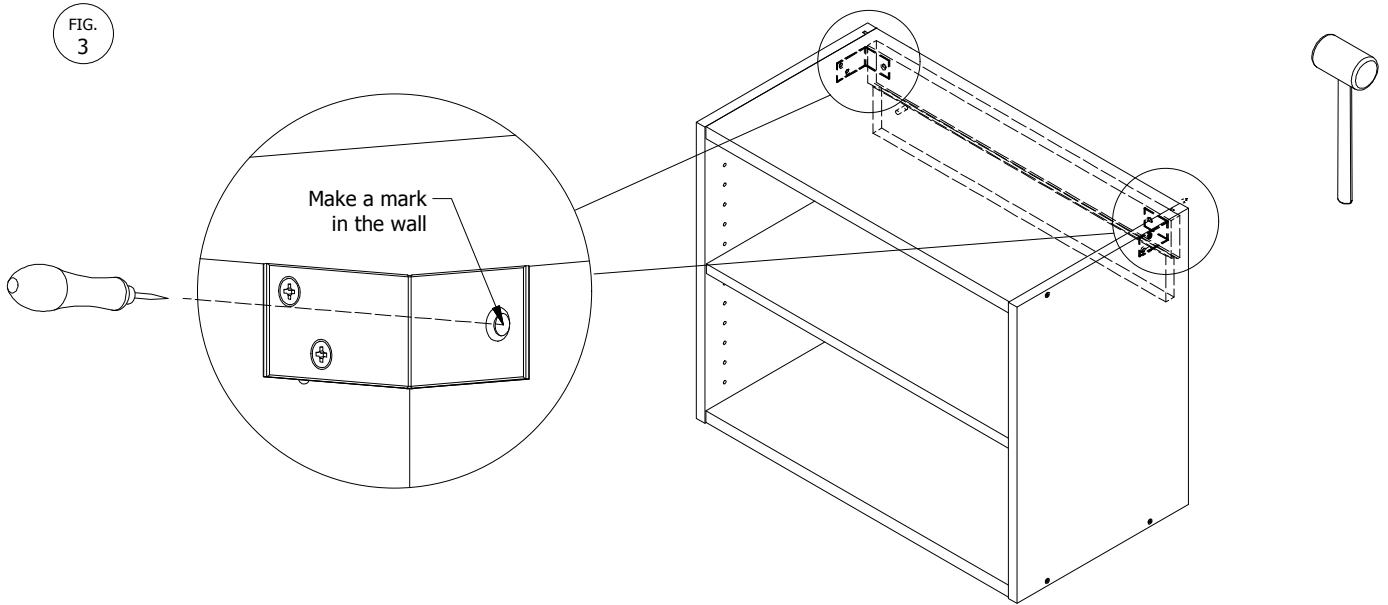


FIG. 4

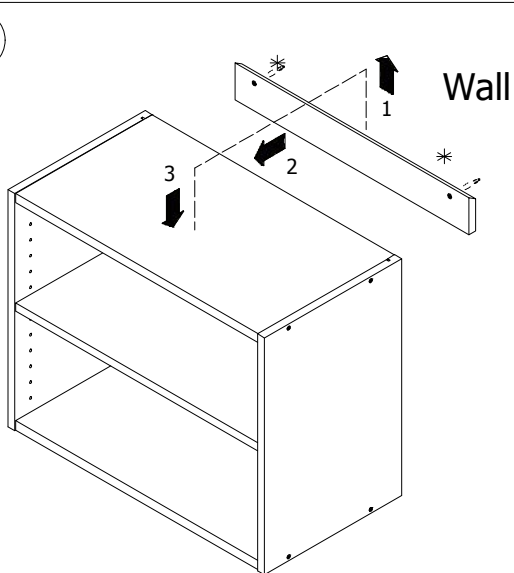


FIG. 5

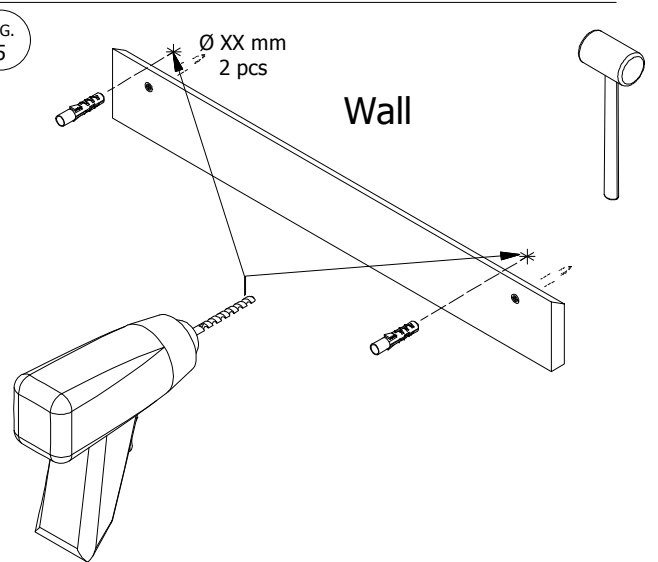


FIG. 6

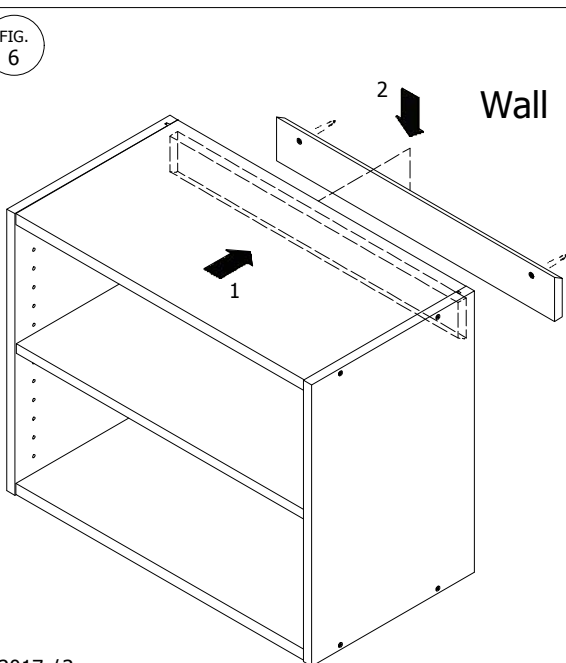


FIG. 7

